

Installation and Quick Start Guide

SNMP/Web Management Accessory

Model: SRCOOLNETLX

| | |
|---|----|
| Installation | 2 |
| Features | 11 |
| Technical Support | 14 |
| Warranty | 14 |
| Product Registration and Regulatory Compliance | 15 |
| Español | 16 |
| Français | 30 |
| Русский | 44 |



Read this guide carefully before installation. A separate downloadable User's Guide can be found by going to www.tripplite.com/support and typing SRCOOLNETLX in the search field. Refer to the User's Guide for additional information about configuration and operation.

PROTECT YOUR INVESTMENT!

Register your product for quicker service and ultimate peace of mind.

You could also win an ISOBAR6ULTRA surge protector—a \$100 value!

www.tripplite.com/warranty



1111 W. 35th Street, Chicago, IL 60609 USA • www.tripplite.com/support

Copyright © 2018 Tripp Lite. All rights reserved.

Installation

The SRCOOLNETLX allows a user to communicate with and control Tripp Lite's SRCOOL12K, SRXCOOL12K and SRXCOOL12K(B) spot coolers as manageable devices on a network accessible via Web browser, network management station, telnet, SSH or command line.

1 - Preparation

1-1 Confirm Package Contents: In addition to this manual, your package should include the following:

- Micro-USB cable for remote temperature sensing and configuration (part number: 73176E), 12 ft.
- 100-240V AC Adapter with NEMA 5-15P and CEE 7/7 Plug
- E2MT Module and User Manual
- Velcro Strips
- Rubber Mounting Feet

1-2 Locate MAC Address: The 12-digit MAC address (000667xxxxx) is located on the SRCOOLNETLX.

1-3 Determine Network Installation Method: If your network's DHCP server will assign a dynamic IP address to the SRCOOLNETLX automatically, proceed to **2 - Dynamic IP Address Assignment**. If you will assign a static IP address to the SRCOOLNETLX manually, proceed to **3 - Static IP Address Assignment**. If you are uncertain which method to use, contact your network administrator for assistance before continuing the installation process.

2 - Dynamic IP Address Assignment

2-1 Connect the SRCOOLNETLX to the SRCOOL12K or SRXCOOL12K(B): Using the dedicated connector **A**, connect the SRCOOLNETLX to the communication port on the side of the spot cooler (see Figure 1 in section **3-3**).

Installation

2-2 Connect SRCOOLNETLX to Power: Connect the AC Adapter **B** to the SRCOOLNETLX via the port labeled “DC Power” **C** and plug the other end into an AC power source (see Figure 1 in section **3-3**).

Note: The SRCOOLNETLX must be plugged into a power source protected by a UPS or Inverter/Charger in order to maintain communications during a power outage.

2-3 Connect SRCOOLNETLX to a Network: Connect a standard Ethernet patch cable to the RJ45 Ethernet port on the SRCOOLNETLX.

Note: This port does not support PoE (Power over Ethernet) applications.

2-4 Discover IP Address: To identify the IP address assigned to the SRCOOLNETLX, contact your network administrator and provide the MAC address of the SRCOOLNETLX. You can also determine the IP address locally at the card. If you do not already have the serial over USB driver installed on your PC, you can download it from www.tripplite.com/support by typing SRCOOLNETLX in the search field. Select the driver named “TL-cdc”. To install, follow the instructions provided with the driver. Once the driver is installed and the COM port has been assigned, start a terminal emulation program, such as Tera Term Pro. Configure it to use the assigned COM port and use the following serial port settings: 115.2Kbps, 8, NONE, 1. Connect the USB cable to the PC and the Micro-USB end to the Micro-USB port on the SRCOOLNETLX. When the login prompt appears, login as **localadmin / localadmin**. When the Menu appears, navigate to "3- Network Configuration", then to "1- IP Configuration". The assigned IP address will display. After you have determined the IP address, proceed to section **4 - Test and Configure**.

Notes:

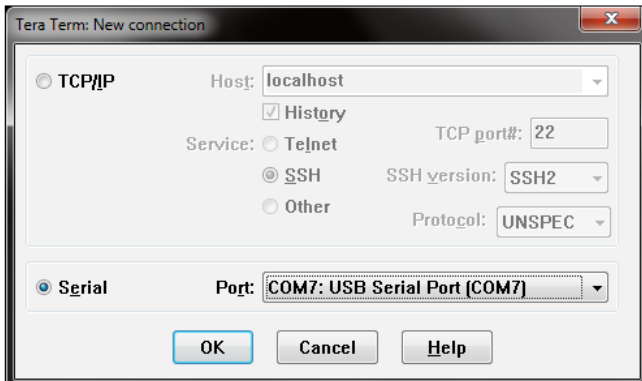
- Usernames and passwords are case sensitive.
- You may wish to request a long-term lease period for the IP address, depending on your application.
- PowerAlert® Device Manager and the WEBCARDLX support both IPv4 and IPv6. The card is set up by default to receive a DHCP address for IPv4, IPv6 or both. Receiving both addresses allows connection to the card via either the IPv4 or IPv6 address.

Installation

3 - Static IP Address Assignment/Terminal Menu Configuration Settings

3-1 Determine IP Information: The SRCOOLNETLX can support a single static IPv4 address (this requires setting the IP address, subnet mask and gateway) and/or a single static IPv6 address. In addition, the SRCOOLNETLX can support a single static IPv4 or an IPv6 DNS address that is required to be entered.

3-2 Configure Terminal Emulation Program: If you have not already done so, download the serial over USB driver (TL-cdc) from the Tripp Lite website. The driver can be found by going to www.tripplite.com/support and typing SRCOOLNETLX in the search field. To install the driver, follow the instructions provided. Once the driver is installed and a COM port has been assigned, set your terminal emulation program to use the COM port that corresponds to the USB port.



Installation

- 3-3 Connect SRCOOLNETLX to Computer:** Using the provided cable, connect your PC to the Micro-USB port on the SRCOOLNETLX.

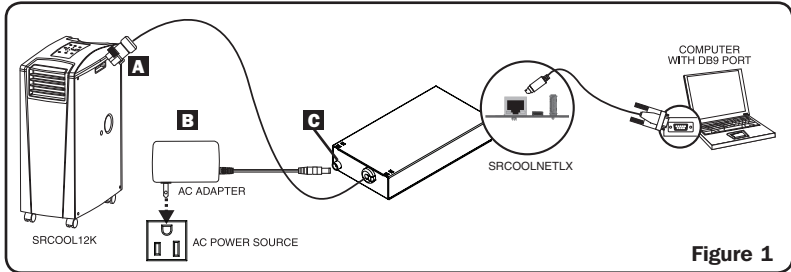


Figure 1

Note: Self-adhesive Velcro strips are included for mounting the SRCOOLNETLX to the side of the A/C unit. As an alternative, the included rubber feet can be used if the SRCOOLNETLX is freestanding.

- 3-4** The card will display a Linux-style login after boot up. Login as **localadmin / localadmin** to access the standard menu.

Note: *Usemames and passwords are case sensitive.*

3-5 From the Main Menu:

- Select Option 3: Network Configuration
- Select Option 1: IP Configuration
- Select Option 3: IPv4 setting on Option 4: IPv6 settings
- Select Option 1: Method
- Select Option 2: Static

Assign the address, subnet mask, gateway, etc. Save your settings by selecting "A" (apply). Choose "y" to restart PowerAlert now. Close your terminal session.

- 3-6 Remove Configuration Cable:** Remove the configuration cable that connects the SRCOOLNETLX to the computer.

Installation

4 - Test and Configure

4-1 Test Network Connection: After an IP address has been assigned to the card, access it with a Web browser. Open Firefox or Chrome on a computer connected to the network and enter `http://` or `https://` followed by the IP address. The login screen for the PowerAlert Device Manager will display. The default username is **localadmin** and the password is **localadmin**. After you enter the username and password, the PowerAlert Status page will appear in the browser window. For more information about configuration and operation of the managed device, refer to the User's Guide located in the support section of the SRCOOLNETLX product web page.

Note: When using the SRCOOLNETLX with the SRCOOL12K, SRXCOOL12K or SRXCOOL12K(B), do not use the cooling unit's manual control panel.

Installation

5 - Using E2MT as Remote Set Temperature Sensor

SRCOOLNETLX supports the use of one E2MT environmental sensor (included) to control the temperature, rather than the AC unit's default internal temperature sensor in the return airstream. The E2MT sensor can be located in the area you wish to control to the specific set-point.

5-1 Important Considerations When Using Remote Temperature Setpoint Mode

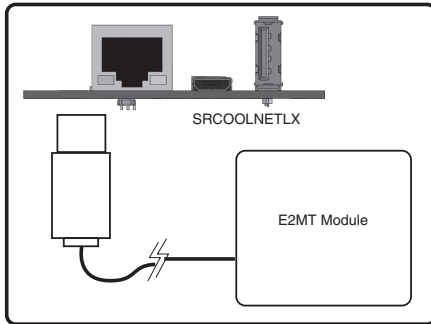
It is important to keep the following considerations in mind when using the Remote Temperature Setpoint feature of SRCOOLNETLX:

- 1** The temperature being used for controlling the status of the attached cooling device is the E2MT sensor, NOT the return air temperature. The return air temperature may be higher or lower than the temperature E2MT is reporting.
- 2** The set-point displayed on the attached AC unit's display panel should be ignored when the SRCOOLNETLX is set to Remote Set-Point Temperature mode in the PowerAlert Device Manager interface. The set point displayed on the device display panel will be the minimum (when cooling) or maximum (when not cooling) set-point permissible by the cooling unit.
- 3** If the power button on the cooling unit display panel is pressed while in Remote Temperature Set-Point mode, the mode will be canceled.

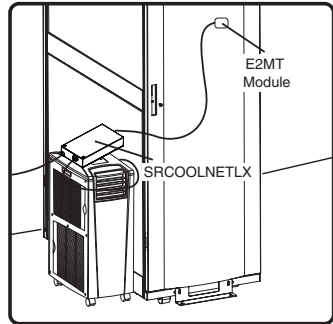
Installation

5-2 Configuring SRCOOLNETLX for Remote Set-Point Usage

To use the Remote Temperature Set-Point feature, ensure the E2MT device is installed in the desired location for monitoring and also connected to the SRCOOLNETLX **A**.



A



Note: SRCOOLNETLX is not shown to scale. A self-adhesive Velcro strip is included for mounting the E2MTHDI to different surfaces, or use its built-in magnet to attach to a metal surface.

Installation

From the PowerAlert Device Manager Interface, turn ON the cooling unit by selecting the Control menu. Under the Control menu, check the "Turn On Device" option and click the activation button to the right. Next, navigate to the Configuration menu > Device Settings **A** to ensure the E2MT sensor is selected. Under the Function: Device Thresholds drop-down menu in the box labeled "Value", type in the temperature set-point you wish the SRCOOLNETLX to target **B** and press activation button to the right **C**. The set point control on the device display panel will be overridden.

Device1665 Device Settings localadmin

Device: Device1665

Function: Device Thresholds

| Name | Group | Value |
|----------------------------------|---------|-------|
| Remote Set Point Temperature (F) | Cooling | 85.0 |

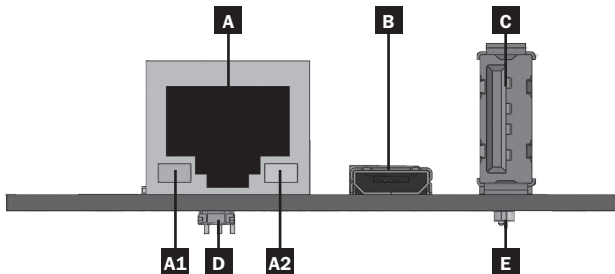
Installation

The cooling unit will now begin cooling when the temperature reading at E2MT equals or exceeds the set-point value you entered. When the temperature falls below this set-point, the unit will stop cooling. If the “Always On” checkbox is checked, the fans will remain running when the unit stops cooling. If the “Always On” checkbox is unchecked, the fans will shut off and the unit will shut down. Once the temperature reaches the set-point again, the unit will restart and begin cooling until the temperature reported by E2MT returns below the set point.

Note: *This cycle will continue indefinitely until you select STOP from the PowerAlert Device Manager interface.*

Features

- A Ethernet Port:** RJ45 jack connects the SRCOOLNETLX to the network using a standard Ethernet patch cable. The Link LED **A1** and Status LED **A2** indicate the operating conditions. See the **LED Function Table** for a description of LED behavior.
- B Micro-USB Port:** Use this port to directly connect with a computer running a terminal emulation program. A cable (part number: 73156E) is included with the SRCOOLNETLX. If you need to order a replacement cable, contact Tripp Lite Customer Support at 773.869.1234.
- C Type-A USB Port:** Use this port to connect the included E2MT module for monitoring ambient temperature conditions.
Note: Do not connect a keyboard or mouse to this port.
- D Reset Button:** The reset button is recessed, accessible through a small hole under the RJ45 network port. Use a paper clip or other suitable object to press the reset button for 3 seconds to reboot the network interface. Rebooting the network interface will not erase network settings or interrupt AC power. Press and hold the reset button for 20 seconds to restore the network interface to its factory default settings. Restoring to the factory default will erase all previously saved data—including network settings—without interrupting AC power.
- E Status LED:** Shows SRCOOLNETLX status. See the **LED Function Table** for a description of LED behavior.



Features

LED Function Table

| Identifier | LED Function | LED Color | Status | Description |
|------------|----------------------------------|--------------|-----------------------|--|
| A1 | Ethernet Link/Activity Indicator | Green | Flashing | There is network activity on the port |
| | | | Off | There is no network activity on the port |
| | | | Off | Perform reset via interface or reset button |
| A2 | Ethernet Network Speed Indicator | Yellow | On steady | 100 Mbps network speed |
| | | | Off | 10 Mbps speed if A1 is flashing |
| | | | Off | No network activity if A1 is also off |
| | | | Off | Perform reset via interface or reset button |
| E | SRCOOLNETLX Status | Green | On steady | Normal operation |
| | | Green | Single flash | Power up indicator |
| | | Green/Orange | Off | No power or card is initializing |
| | | Green/Orange | Alternating (~1/sec.) | Software update in progress |
| | | Green/Orange | Alternating (~2/sec.) | Restoring factory default configuration |

Features

AC Power Adapter: Used to provide power to the SRCOOLNETLX.

Note: *Plug into an AC power source supported by a UPS or Inverter/Charger in order to maintain communications during a power outage.*

DC Power Jack: This port is used to connect the AC Adapter (output plug) to supply power to the SRCOOLNETLX.

SRCOOLNETLX Interface Connector: This dedicated connector is used to connect the SRCOOLNETLX to the SRCOOL12K, SRXCOOL12K or SRXCOOL12K(B) and features a locking ring for securing the connection.

Technical Support

Technical Support can be found at: www.tripplite.com/support

Warranty

LIMITED WARRANTY

Seller warrants this product, if used in accordance with all applicable instructions, to be free from original defects in material and workmanship for a period of 2 years from the date of initial purchase. If the product should prove defective in material or workmanship within that period, Seller will repair or replace the product, in its sole discretion. Service under this Warranty can only be obtained by delivering or shipping the product (with all shipping or delivery charges prepaid) to: Tripp Lite, 1111 W. 35th Street, Chicago, IL 60609, USA. Seller will pay return shipping charges. Visit www.tripplite.com/support before sending any equipment back for repair.

THIS WARRANTY DOES NOT APPLY TO NORMAL WEAR OR TO DAMAGE RESULTING FROM ACCIDENT, MISUSE, ABUSE OR NEGLIGENCE. SELLER MAKES NO EXPRESS WARRANTIES OTHER THAN THE WARRANTY EXPRESSLY SET FORTH HEREIN. EXCEPT TO THE EXTENT PROHIBITED BY APPLICABLE LAW, ALL IMPLIED WARRANTIES, INCLUDING ALL WARRANTIES OF MERCHANTABILITY OR FITNESS, ARE LIMITED IN DURATION TO THE WARRANTY PERIOD SET FORTH ABOVE; AND THIS WARRANTY EXPRESSLY EXCLUDES ALL INCIDENTAL AND CONSEQUENTIAL DAMAGES.

(Some states do not allow limitations on how long an implied warranty lasts, and some states do not allow the exclusion or limitation of incidental or consequential damages, so the above limitations or exclusions may not apply to you. This Warranty gives you specific legal rights, and you may have other rights which vary from jurisdiction to jurisdiction).

WARNING: The individual user should take care to determine prior to use whether this device is suitable, adequate or safe for the use intended. Since individual applications are subject to great variation, the manufacturer makes no representation or warranty as to the suitability or fitness of these devices for any specific application.

Not compatible with PoE (Power over Ethernet) applications.

Product Registration and Regulatory Compliance

PRODUCT REGISTRATION

Visit www.triplite.com/warranty today to register your new Tripp Lite product. You'll be automatically entered into a drawing for a chance to win a FREE Tripp Lite product!*

* No purchase necessary. Void where prohibited. Some restrictions apply. See website for details.

CAUTION: Use of this equipment in life support applications where failure of this equipment can reasonably be expected to cause the failure of the life support equipment or to significantly affect its safety or effectiveness is not recommended. Do not use this equipment in the presence of a flammable anesthetic mixture with air, oxygen or nitrous oxide.

WEEE Compliance Information for Tripp Lite Customers and Recyclers (European Union)



Under the Waste Electrical and Electronic Equipment (WEEE) Directive and implementing regulations, when customers buy new electrical and electronic equipment from Tripp Lite they are entitled to:

- Send old equipment for recycling on a one-for-one, like-for-like basis (this varies depending on the country)
- Send the new equipment back for recycling when this ultimately becomes waste

Regulatory Compliance Identification Numbers

For the purpose of regulatory compliance certifications and identification, your Tripp Lite product has been assigned a unique series number. The series number can be found on the product nameplate label, along with all required approval markings and information. When requesting compliance information for this product, always refer to the series number. The series number should not be confused with the marketing name or model number of the product.

Tripp Lite has a policy of continuous improvement. Specifications are subject to change without notice.



1111 W. 35th Street, Chicago, IL 60609 USA • www.triplite.com/support

Guía de instalación e inicio rápido

Accesorio para administración SNMP/Web

Modelo: SRCOOLNETLX

| | |
|-----------------|----|
| Instalación | 17 |
| Características | 26 |
| Soporte técnico | 28 |
| Garantía | 29 |
| English | 1 |
| Français | 30 |
| Русский | 44 |



Antes de la instalación, lea cuidadosamente este manual. Puede conseguir una guía de usuario descargándola de www.triplite.com/support escribiendo SRCOOLNETLX en el campo de búsqueda. Para obtener más información sobre la configuración y operación, consulte la guía del usuario.



Excelencia en
Manufactura.

1111 W. 35th Street, Chicago, IL 60609 EE. UU. • www.triplite.com/support

Copyright © 2018 Tripp Lite. Todos los derechos reservados.

Instalación

El SRCOOLNET permite al usuario comunicarse y controlar las unidades de enfriamiento puntual SRCOOL12K, SRXCOOL12K y SRXCOOL12K(B) de Tripp Lite como dispositivos que se pueden administrar en una red accesible mediante un navegador de red, estación de administración de red o Telnet.

1 – Preparación


1-1 1-1 Confirme el contenido del paquete: además de este manual, su paquete debe incluir lo siguiente:

- Cable Micro-USB para detección y configuración remota de temperatura (número de parte: 73176E), 3.66 m [12 pies].
- Adaptador de 100-240V CA con Clavija NEMA 5-15P y CEE 7/7
- Módulo E2MT y manual del usuario
- Tiras de Velcro
- Pata de caucho para instalación

1-2 1-2 Localice la dirección MAC: la dirección MAC de 12 dígitos (000667xxxxx) se localiza en el SRCOOLNETNX.

1-3 Determinación del método de instalación de red: si el servidor DHCP de su red asignará automáticamente una dirección IP dinámica al SRCOOLNETLX, proceda a **2 - Asignación de dirección IP dinámica**. Si usted va a asignar manualmente una dirección IP estática al SRCOOLNETLX, proceda a **3 - Asignación de dirección IP estática**. Si no está seguro de cuál método usar, póngase en contacto con su administrador de red para obtener asistencia antes de continuar el proceso de instalación.

2 – Asignación de dirección IP dinámica

2-1 Conexión del SRCOOLNETLX al SRCOOL12K o SRXCOOL12K(B): usando el conector dedicado , conecte el SRCOOLNET al puerto de comunicación en el costado del enfriador por puntos (vea la figura 1 en la sección **3-3**).

Instalación

2-2 Conexión del SRCOOLNETLX a la energía: conecte el adaptador de CA **B** al SRCOOLNETLX mediante el puerto etiquetado "DC Power" **C** y enchufe el otro extremo en una fuente de alimentación de CA (vea la figura 1 en la sección **3-3**).

Nota: el SRCOOLNETLX debe enchufarse en una fuente de alimentación protegida por un UPS o inversor/cargador a fin de mantener las comunicaciones durante un apagón.

2-3 Conexión del SRCOOLNETLX a una red: conecte un cable patch estándar de Ethernet al puerto de Ethernet RJ45 en el SRCOOLNETLX.

Nota: este puerto no admite aplicaciones PoE (alimentación a través de Ethernet).

2-4 Determine la dirección IP: para identificar la dirección IP asignada al SRCOOLNETLX, póngase en contacto con su administrador de red y proporcione la dirección MAC del SRCOOLNETLX. Además puede determinar la dirección IP localmente en la tarjeta. Si aún no tiene la serie sobre el controlador del USB instalado en su PC, puede descargarlo de www.tripplite.com/support ingresando SRCOOLNETLX en el campo de búsqueda. Seleccione el controlador llamado "TL-cdc". Para instalar, siga las instrucciones suministradas con el controlador. Una vez que el controlador esté instalado y el puerto COM haya sido asignado, inicie un programa de emulación de terminal, como Tera Term Pro. Configúrelo para usar el puerto COM asignado y use los siguientes parámetros de puerto serial: 115.2Kbps, 8, NONE, 1. Conecte el cable USB a la PC y el extremo Micro-USB al puerto Micro-USB en el SRCOOLNETLX. Cuando aparezca la indicación de inicio de sesión, inicie sesión como **localadmin / localadmin**. Cuando aparezca el menú, vaya a "3- Configuración de Red", luego "1- Configuración de IP". Se mostrará la dirección IP asignada. Después de que haya determinado la dirección IP, proceda a la sección **4 - Pruebe y configure**.

Notas:

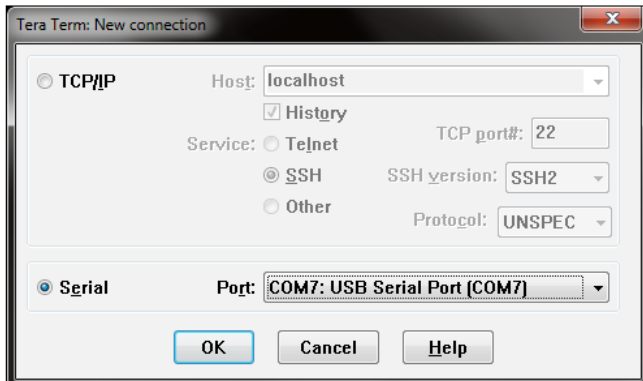
- Los nombres de usuario y contraseñas distinguen mayúsculas y minúsculas.
- Puede desear solicitar un período de concesión a largo plazo para la dirección IP, dependiendo de su aplicación.
- El Administrador de dispositivos PowerAlert® y la WEBCARDLX soportan IPv4 e IPv6. La tarjeta está predeterminada para recibir una dirección DHCP para IPv4, IPv6 o ambas. Al recibir ambas direcciones permite la conexión a la tarjeta mediante cualquier dirección IPv4 o IPv6.

Instalación

3 - Asignación de dirección IP estática/menú de terminal Parámetros de configuración

3-1 **Determine la información de IP:** el SRCOOLNETLX puede soportar una dirección IPv4 estática (requiere configurar la dirección IP, la máscara de subred y el portal) y/o una dirección estática IPv6 única. Además el SRCOOLNETLX puede soportar una dirección DNS IPv4 o IPv6 estática que se requiere ingresar.

3-2 **3-2 Configure el programa de emulación de terminal:** si aún no lo ha hecho, descargue el controlador de serial sobre USB (TL-cdc) desde el sitio de red de Tripp Lite. Encontrará el controlador en el sitio www.tripplite.com/support e ingresando SRCOOLNETLX en el campo de búsqueda. Para instalar el controlador, siga las instrucciones suministradas. Una vez instalado el controlador y que el puerto COM haya sido asignado, configure su programa de emulación de terminal para usar el puerto COM que corresponda al puerto USB.



Instalación

- 3-3 H. 3-3 Conecte el SRCOOLNETLX a la computadora:** conecte su PC al puerto Micro-USB en el SRCOOLNETLX.

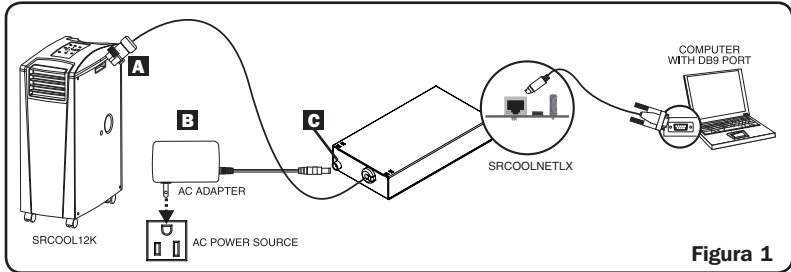


Figura 1

Nota: se incluyen cintas de Velcro autoadhesivas para la instalación del SRCOOLNETLX al costado de la unidad de aire acondicionado. Como alternativa, pueden usarse las patas de caucho incluidas si el SRCOOLNETLX será autónomo.

- 3-4** La tarjeta mostrará un inicio de sesión estilo Linux después del arranque. Ingrese como **localadmin / localadmin** para obtener el menú estándar.

Nota: los nombres de usuario y contraseñas distinguen mayúsculas y minúsculas.

3-5 Desde el menú principal:

- Seleccione la Opción 3: Configuración de Red
- Seleccione la Opción 1: Configuración de IP
- Seleccione la Opción 3: Configuración de IPv4 en la Opción 4: parámetros de IPv6
- Seleccione la Opción 1: Método
- Seleccione la Opción 2: Estática

Asigne la dirección, máscara de subred, portal, etc. Guarde sus parámetros seleccionando "A" (aplicar). Elija "y" para reiniciar ahora PowerAlert. Elija su sesión de terminal.

Instalación

- 3-6 Retire el cable de configuración:** retire el cable de configuración que conecta el SRCOOLNETLX a la computadora.

4 - Pruebe y configure

- 4-1 Pruebe la conexión de red:** después que se ha asignado una dirección IP a la tarjeta, acceda a ella usando un navegador de Web. Abra Firefox o Chrome en una computadora conectada a la red e ingrese a <http://> o <https://> seguido por la dirección IP. Se mostrará la pantalla de inicio de sesión para el Administrador de dispositivo PowerAlert. El nombre de usuario es **localadmin** y la contraseña predeterminada es **localadmin**. Después de ingresar el nombre de usuario y contraseña, aparecerá la página de estado de PowerAlert en la ventana del navegador. Para obtener más información sobre la configuración y operación del dispositivo administrado, consulte la Guía del Usuario, ubicado en la sección soporte de la página web del producto SRCOOLNETLX.

Nota: cuando use el SRCOOLNETLX con el SRCOOL12K SRCOOLNETLX o SRXCOOL12K, no utilice el panel de control manual de la unidad de enfriamiento.

Instalación

5 - Uso de E2MT como configurador remoto del sensor de temperatura

SRCOOLNETLX soporta el uso de un sensor ambiental E2MT (incluido) para controlar la temperatura en vez del sensor de temperatura predeterminado en la corriente de aire de retorno de la unidad de aire acondicionado. El sensor E2MT puede localizarse en el área que desea controlar en el punto de ajuste específico.

5-1 Consideraciones importantes al usar el modo remoto de punto de control de temperatura

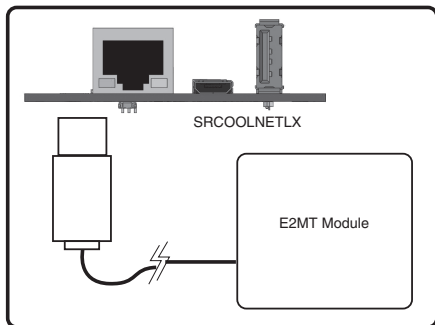
Es importante tener en cuenta las siguientes consideraciones al usar la función del punto de ajuste remoto de temperatura del SRCOOLNETLX:

- 1 La temperatura que se usa para controlar el estado del dispositivo de enfriamiento acoplado es el sensor E2MT, NO la temperatura del aire de retorno. La temperatura del aire de retorno puede ser mayor o menor que la temperatura que está reportando el E2MT.
- 2 El punto de ajuste mostrado en el panel de pantalla de la unidad acondicionadora de aire acoplada debe ser ignorado cuando el SRCOOLNETLX es puesto en modo de punto de ajuste remoto de temperatura en la interfaz del Administrador de dispositivos PowerAlert. El punto de ajuste mostrado en el panel de pantalla del dispositivo será el mínimo (al enfriar) o máximo (cuando no enfría) permisible por la unidad de enfriamiento.
- 3 Si el botón de encendido en el panel de pantalla de la unidad de enfriamiento es oprimido mientras esté en modo de punto de ajuste remoto de temperatura, el modo se cancelará.

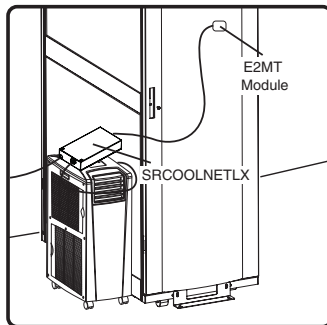
Instalación

5-2 Configuración de SRCOOLNETLX para uso remoto de punto de control

Para usar la función de punto de control de temperatura remoto, asegure que esté instalado el E2MT en la ubicación deseada para monitorear y esté conectado al SRCOOLNETLX **A**.



A



Nota: SRCOOLNETLX no se muestra a escala. Se incluye una tira de Velcro auto-adhesivo para el montaje del E2MTHDI a diferentes superficies o use su imán incorporado para fijarlo a una superficie de metal.

Instalación

Desde la interfaz del Administrador de dispositivos de PowerAlert, encienda la unidad de enfriamiento seleccionando el menú de control. Bajo el menú de control, marque la opción "Encender Dispositivo" y haga clic en el botón de activación a la derecha. Después, navegue a los parámetros del menú de configuración > Dispositivo **A** para asegurar que esté seleccionado el sensor E2MT. Bajo la función: menú desplegable de umbrales del dispositivo en el cuadro etiquetado "Valor", escriba el punto de control de la temperatura que desea que alcance el SRCOOLNETLX **B** y oprima el botón de activación a la derecha **C**. Se anulará el control de punto de ajuste en el panel de la pantalla del dispositivo.

The screenshot shows the 'Device1665 Device Settings' page in the PowerAlert Device Manager. The left sidebar contains a navigation menu with 'Device Settings' highlighted. The main content area shows the configuration for 'Device1665' with a 'Function' dropdown set to 'Device Thresholds'. Below this is a table with the following data:

| Name | Group | Value |
|----------------------------------|---------|-------|
| Remote Set Point Temperature (F) | Cooling | 86.0 |

A red 'A' is placed over the 'Device Settings' menu item. A red 'B' is placed over the value '86.0'. A red 'C' and a play button icon are placed to the right of the table.

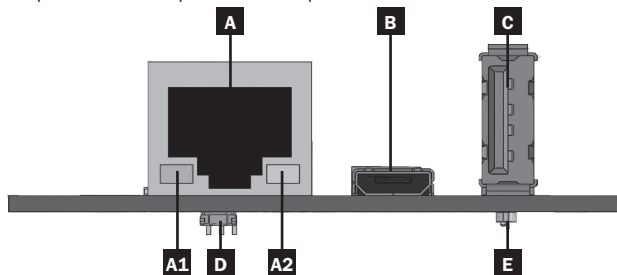
Instalación

Ahora la unidad de enfriamiento empezará a enfriar cuando la lectura de temperatura en el E2MT iguale o exceda el valor de calibración que usted ingresó. Cuando la temperatura caiga por debajo de este punto de ajuste, la unidad dejará de enfriar. Si está marcada la casilla "Siempre Encendido", los ventiladores se mantendrán funcionando cuando la unidad deje de enfriar. Si no está seleccionado el cuadro de 'Siempre Encendido', se apagarán los ventiladores y se apagará la unidad. Una vez que la temperatura alcance nuevamente el punto de ajuste, la unidad arrancará y empezará a enfriar hasta que la temperatura reportada por el E2MT vuelva a estar por debajo del punto de ajuste.

Nota: *este ciclo continuará indefinidamente hasta que seleccione STOP en la interfaz del administrador de dispositivo PowerAlert.*

Características

- A Puerto Ethernet:** el conector RJ45 conecta el SRCOOLNETLX a la red usando un cable patch estándar de Ethernet. El LED de Enlace **A1** y el LED de Estado **A2** indican condiciones de operación. Vea la **tabla de función de LED** para una descripción del comportamiento de los LED.
- B Puerto Micro-USB:** use este puerto para conectar directamente con una computadora que opere un programa de emulación de terminal. Con el SRCOOLNETLX se incluye un cable (número de parte 73156E). Si necesita ordenar un cable de reemplazo, póngase en contacto con soporte al cliente de Tripp Lite al 773.869.1234.
- C Puerto USB tipo A:** utilice este puerto para conectar el módulo E2MT incluido para monitorear las condiciones de temperatura ambiente.
- Nota:** no conecte un teclado o mouse a este puerto.
- D Botón de restablecimiento:** el botón de restablecimiento está empotrado, accesible a través de un pequeño orificio bajo el puerto de red RJ45. Use un clip para papel u otro objeto adecuado para oprimir el botón de restauración durante 3 segundos para reiniciar la interfaz de red. Reiniciar la interfaz de red no borrará los parámetros de red ni interrumpirá la alimentación de CA. Presione y mantenga presionado el botón de restauración por 20 segundos para restablecer la interfaz de red a su configuración de fábrica. Restaurar a los valores de fábrica borrará todos los datos previamente guardado —incluyendo ajustes de red—sin interrumpir la alimentación de CA.
- E LED de estado:** muestra el estado del SRCOOLNETLX. Vea la **tabla de función de LED** para una descripción del comportamiento de los LED.



Características

Tabla de funciones del LED

| Identificador | Función del LED | Color del LED | Estado | Descripción |
|---------------|---|----------------------|----------------------|--|
| A1 | Indicador de actividad/ enlace de Ethernet | Verde | Destellando | Hay actividad de red en el puerto |
| | | | Apagado | No hay actividad de red en el puerto |
| | | | Apagado | Ejecute el restablecimiento mediante la interfaz o el botón de restablecer |
| A2 | Indicador de velocidad de red Ethernet | Amarillo | Encendido permanente | Velocidad de red de 100 Mbps |
| | | | Apagado | Si A1 está destellando la velocidad es de 10 Mbps |
| | | | Apagado | Si A1 está también apagado no hay actividad de red |
| | | | Apagado | Ejecute el restablecimiento mediante la interfaz o el botón de restablecer |
| E | Estado del SRCOOLNETLX | Verde | Encendido permanente | Operación normal |
| | | Verde | Un solo Destello | Indicador de encendido |
| | | Verde/ anaranjado | Apagado | Sin energía o la tarjeta está iniciando |
| | | Verde/ anaranjado | Alternando (~1/s) | Actualización de software en progreso |
| | | Verde/ anaranjado | Alternando (~2/s) | Restaurando la configuración predeterminada de fábrica |

Características

Adaptador de energía CA: se usa para suministrar energía al SRCOOLNETLX.

Nota: enchufe en una alimentación de CA soportada por un UPS o inversor/cargador a fin de mantener las comunicaciones durante un apagón.

Conector de energía de CD: este puerto se usa para conectar el adaptador de CA (enchufe de salida) para suministrar energía al SRCOOLNETLX.

Conector de Interfaz de SRCOOLNETLX: este conector dedicado se usa para conectar el SRCOOLNETLX al SRCOOL12K o SRXCOOL12K y cuenta con un anillo de seguridad para afianzar la conexión.

Soporte técnico

Puede encontrar soporte técnico en: www.tripplite.com/support

Garantía

GARANTÍA LIMITADA

El vendedor garantiza este producto, si se usa de acuerdo con todas las instrucciones aplicables, de que está libre de defectos en material y mano de obra por un período de 2 años a partir de la fecha de compra inicial. Si el producto resultara defectuoso en material o mano de obra dentro de ese período, el vendedor reparará o reemplazará el producto a su entera discreción. El servicio bajo esta garantía sólo puede obtenerse entregando o embarcando el producto (con todos los cargos de envío o embarque prepagados) a: Tripp Lite, 1111 W. 35th Street, Chicago, IL 60609 EE. UU. El vendedor reembolsará los cargos de embarque. Antes de devolver cualquier equipo para reparación, visite www.tripplite.com/support.

ESTA GARANTÍA NO SE APLICA AL DESGASTE NORMAL O A LOS DAÑOS QUE RESULTEN DE ACCIDENTES, USO INCORRECTO, USO INDEBIDO O NEGLIGENCIA. EL VENDEDOR NO OTORGA GARANTÍAS EXPRESAS DISTINTAS A LA ESTIPULADA EN EL PRESENTE. SALVO EN LA MEDIDA EN QUE LO PROHÍBAN LAS LEYES APLICABLES, TODAS LAS GARANTÍAS IMPLÍCITAS, INCLUYENDO TODAS LAS GARANTÍAS DE COMERCIALIZACIÓN O IDONEIDAD, ESTÁN LIMITADAS EN DURACIÓN AL PERÍODO DE GARANTÍA ESTABLECIDO; ASIMISMO, ESTA GARANTÍA EXCLUYE EXPRESAMENTE TODOS LOS DAÑOS INCIDENTALES E INDIRECTOS. (Algunos estados no permiten limitaciones en cuanto a la duración de una garantía implícita y algunos estados no permiten la exclusión o limitación de daños incidentales o indirectos, de modo que las limitaciones anteriores pueden no aplicar para usted. Esta garantía le otorga derechos legales específicos y usted puede tener otros derechos que pueden variar de una jurisdicción a otra).

ADVERTENCIA: antes de usarlo, cada usuario debe tener cuidado al determinar si este dispositivo es adecuado o seguro para el uso previsto. Ya que las aplicaciones individuales están sujetas a gran variación, el fabricante no garantiza la adecuación de estos dispositivos para alguna aplicación específica.

No compatible con aplicaciones de PoE (alimentación a través de Ethernet).

Información de cumplimiento con WEEE para clientes y recicladores de Tripp Lite (Unión Europea)



Conforme a la Directiva de Desechos de Equipos Eléctricos y Electrónicos [WEEE] y regulaciones aplicables, cuando los clientes adquieren un nuevo equipo eléctrico y electrónico de Tripp Lite están obligados a:

- Enviar el equipo viejo a reciclaje en una base de uno por uno, semejante por semejante (esto varía de un país a otro)
- Regresar el equipo nuevo para reciclaje una vez que finalmente sea un desecho

Números de identificación de cumplimiento regulatorio

Para el propósito de certificaciones e identificación de conformidad con las normas, su producto Tripp Lite ha recibido un número de serie exclusivo. El número de serie se puede encontrar en la etiqueta de placa de identificación, junto con todas las marcas e información requeridas de aprobación. Al solicitar información de conformidad para este producto, refiérase siempre al número de serie. El número de serie no debe confundirse con el nombre de la marca o el número de comercialización del producto.

Tripp Lite tiene una política de mejora continua. Las especificaciones están sujetas a cambios sin previo aviso.



1111 W. 35th Street, Chicago, IL 60609 EE. UU. • www.tripplite.com/support

Installation et guide de démarrage rapide

Carte auxiliaire de gestion SNMP/Web

Modèle : SRCOOLNETLX

| | |
|-------------------|----|
| Installation | 31 |
| Caractéristiques | 40 |
| Soutien technique | 42 |
| Garantie | 42 |
| English | 1 |
| Español | 16 |
| Русский | 44 |



Lire attentivement ce guide avant l'installation. Un guide de l'utilisateur indépendant téléchargeable est disponible en visitant www.tripplite.com/support et en inscrivant SRCOOLNETLX dans le champ de recherche. Consulter le guide de l'utilisateur pour des renseignements supplémentaires au sujet de la configuration et du fonctionnement.



1111 W. 35th Street, Chicago, IL 60609 USA • www.tripplite.com/support

Droits d'auteur © 2018 Tripp Lite. Tous droits réservés.

Installation

Le SRCOOLNETLX permet à l'utilisateur de communiquer avec, et de contrôler, les refroidisseurs localisés SRCOOL12K et SRXCool12K de Tripp Lite en tant que dispositifs gérables sur un réseau accessible via un navigateur Web, une station de gestion de réseau, Telnet, SSH ou une ligne de commande.

1 - Préparation

1-1 Confirmer le contenu de l'emballage : En plus de ce manuel, l'emballage devrait inclure ce qui suit :

- Câble Micro-USB pour la détection de la température à distance et la configuration (numéro d'article : 73176E), 3,7 m (12 pi)
- Adaptateur 100-240 V CA avec fiche NEMA 5-15P et CEE 7/7
- Module E2MT et manuel de l'utilisateur
- Bandes velcro
- Pieds de montage en caoutchouc

1-2 Localiser l'adresse MAC : L'adresse Mac à 12 chiffres (000667xxxxx) se trouve en dessous du SRCOOLNETLX.

1-3 Déterminer la méthode d'installation du réseau : Si le serveur DHCP du réseau assigne automatiquement une adresse IP dynamique au SRCOOLNETLX, passer à **2 - Attribution d'une adresse IP dynamique**. Si une adresse IP statique doit être assignée manuellement au SRCOOLNETLX, passer à **3 - Attribution d'une adresse IP statique**. En cas d'incertitude quant à la méthode à utiliser, contacter votre administrateur de réseau pour obtenir de l'aide avant de poursuivre le processus d'installation.

2 - Attribution d'une adresse IP dynamique

2-1 Brancher le SRCOOLNETLX au SRCOOL12K ou au SRXCool12K(B) : En utilisant le connecteur dédié **A**, brancher le SRCOOLNET au port de communication sur le côté du refroidisseur localisé (consulter la Figure 1 dans la section **3-3**).

Installation

2-2 Brancher le SRCOOLNETLX à la source d'alimentation : Brancher l'adaptateur CA **B** au SRCOOLNETLX via le port étiqueté « DC Power » **C** (alimentation CC), puis brancher l'autre extrémité dans une source d'alimentation CA (consulter la Figure 1 dans la section **3-3**).

Remarque : Le SRCOOLNETLX doit être branché dans une source d'alimentation protégée par un onduleur ou un convertisseur/chargeur afin de maintenir la communication durant une coupure de courant.

2-3 Brancher le SRCOOLNETLX au réseau : Connecter un cordon de raccordement Ethernet standard au port Ethernet RJ45 sur le SRCOOLNETLX.

Remarque : Ce port ne prend pas en charge les applications d'alimentation par Ethernet (PoE).

2-4 Déterminer l'adresse IP : Pour identifier l'adresse IP attribuée au SRCOOLNETLX, contacter l'administrateur du réseau et fournir l'adresse MAC du SRCOOLNETLX. L'adresse IP peut être également déterminée localement sur la carte. Si le pilote USB série n'est pas déjà installé sur le PC, il peut être téléchargé depuis www.tripplite.com/support en inscrivant SRCOOLNETLX dans le champ de recherche. Sélectionner le pilote appelé « TL-cdc ». Pour l'installer, suivre les instructions fournies avec le pilote. Une fois que le pilote a été installé et que le port COM a été attribué, commencer un programme d'émulation de terminal, comme Tera Term Pro. Il doit être configuré pour utiliser le port COM attribué et utiliser les paramètres de port sériel suivants: 115.2Kbps, 8, NONE, 1. Connecter le câble USB au PC et l'extrémité Micro-USB au port Micro-USB sur le SRCOOLNETLX. Lorsque le message-guide de connexion s'affiche, se connecter en tant que **localadmin / localadmin**. Lorsque le menu s'affiche, naviguer à « 3- Network Configuration » (3- Configuration du réseau) puis à « 1- IP Configuration » (1- Configuration IP). L'adresse IP attribuée s'affichera. Après avoir déterminé l'adresse IP, passer à **4 - Essai et configuration**.

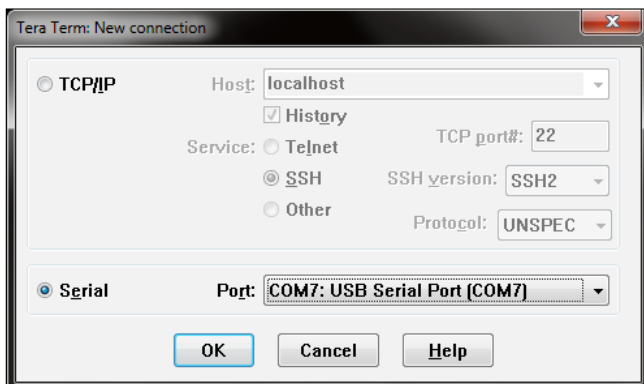
Remarques :

- Les noms d'utilisateur et les mots de passe sont sensibles à la casse.
- Il peut être souhaitable de demander une période de location à long terme pour l'adresse IP en fonction de l'application.
- Le gestionnaire de périphérique PowerAlert® et la WEBCARDLX prennent en charge IPv4 et IPv6. La carte est configurée par défaut pour recevoir une adresse DHCP pour IPv4, IPv6 ou les deux. Recevoir les deux adresses permet une connexion à la carte par l'adresse IPv4 ou IPv6.

Installation

3 - Attribution d'une adresse IP statique /paramètres de configuration du menu du terminal

- 3-1 Déterminer les informations IP :** Le SRCOOLNETLX peut prendre en charge une seule adresse IPv4 statique (cela exige la configuration de l'adresse IP, du masque de sous-réseau et passerelle) ou une seule adresse IPv6 statique. En plus, le SRCOOLNETLX peut prendre en charge une seule adresse IPv4 statique ou une adresse DNS IPv6 qui doit être saisie.
- 3-2 Configurer l'émulateur de terminal :** Si cela n'a pas déjà été fait, télécharger le pilote USB de série (TL-cdc) depuis le site Web de Tripp Lite. Le pilote est disponible en visitant www.tripplite.com/support et en inscrivant SRCOOLNETLX dans le champ de recherche. Pour installer le pilote, suivre les instructions fournies. Une fois que le pilote a été installé et que le port COM a été attribué, configurer le programme d'émulation de terminal pour utiliser le port COM qui correspond au port USB.



Installation

3-3 **Connecter la SRCOOLNETLX à l'ordinateur :** Connecter le PC au port Micro-USB sur le SRCOOLNETLX en utilisant le câble fourni.

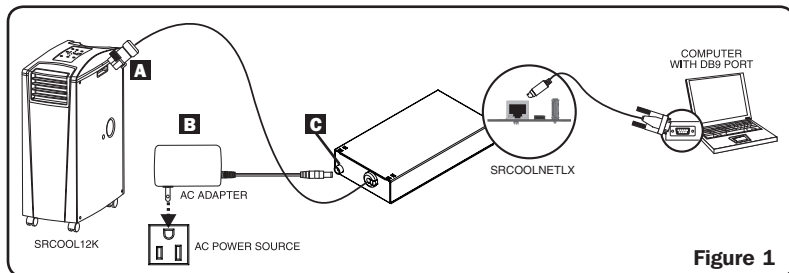


Figure 1

Remarque : Des bandes velcro autocollantes sont incluses pour monter le SRCOOLNETLX sur le côté du climatiseur. Comme solution de rechange, les pieds en caoutchouc peuvent être utilisés si le SRCOOLNETLX est pour être autostable.

3-4 La carte affichera une connexion de style Linux après le démarrage. Se connecter en tant que **localadmin / localadmin** pour obtenir le menu standard.

Remarque : Les noms d'utilisateur et les mots de passe sont sensibles à la casse.

3-5 **Depuis le menu principal :**

- Sélectionner l'option 3 : Network Configuration (configuration du réseau)
- Sélectionner l'option : IP Configuration (configuration IP)
- Sélectionner l'option 3 : IPv4 setting (paramètre IPv4) pour l'option 4 : IPv6 settings (paramètres IPv6)
- Sélectionner l'option 1 : Method (méthode)
- Sélectionner l'option 2 : Static (statique)

Attribuer l'adresse, le menu de sous-réseau, la passerelle, etc. Sauvegarder les paramètres en sélectionnant « **A** » (appliquer). Choisir « **y** » pour redémarrer PowerAlert maintenant. Fermer la session du terminal.

Installation

- 3-6 Enlever le câble de configuration :** Enlever le câble de configuration qui relie le SRCOOLNETLX à l'ordinateur.

4 - Essai et configuration

- 4-1 Essai du raccordement au réseau :** Une fois qu'une adresse IP a été attribuée à la carte, essayer d'y accéder avec un navigateur Web. Lancer Firefox ou Chrome sur un ordinateur connecté au réseau, puis saisir http:// ou https:// suivi de l'adresse IP. L'écran de connexion pour le gestionnaire de périphérique PowerAlert s'affichera. Le nom d'utilisateur par défaut est **localadmin** et le mot de passe est **localadmin**. Après avoir saisi le nom d'utilisateur et le mot de passe, la page de statut de PowerAlert s'affichera dans la fenêtre du navigateur. Pour plus d'information au sujet de la configuration et du fonctionnement du dispositif géré, consulter le guide d'utilisateur qui se trouve dans la section Soutien de la page Web des produits SRCOOLNETLX.

***Remarque :** Lorsque le SRCOOLNETLX est utilisé avec le SRCOOL12K, le SRXCOOL12K ou le SRXCOOL12K(B), ne pas utiliser le panneau de commande manuel de l'appareil de refroidissement.*

Installation

5 - À l'aide d'E2MT comme sonde de température configurée à distance

SRCOOLNETLX prend en charge l'utilisation d'un capteur environnemental E2MT (inclus) pour contrôler la température plutôt que la sonde de température interne par défaut dans le courant d'air de retour du climatiseur. Le capteur E2MT peut être placé à un endroit à partir duquel le point de consigne peut être contrôlé.

5-1 Considérations importantes à prendre en compte lors de l'utilisation en mode Point de consigne de la température à distance

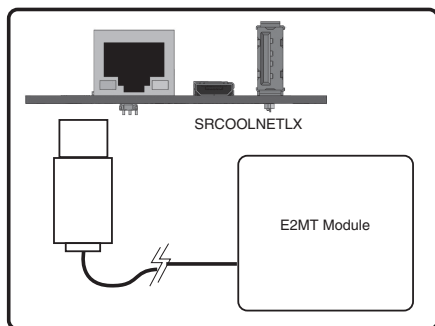
Il est important de tenir compte des considérations suivantes lors de l'utilisation de la fonction du point de consigne de la température à distance de SRCOOLNETLX :

- 1** La température utilisée pour contrôler l'état du dispositif de refroidissement monté est la sonde E2MT et NON pas la température de l'air de reprise. La température de l'air de reprise peut être supérieure ou inférieure à la température rapportée par E2MT.
- 2** Le point de consigne affiché sur le panneau d'affichage de l'appareil de refroidissement branché devrait être ignoré lorsque le SRCOOLNETLX est configuré en mode Point de consigne de la température à distance dans l'interface du gestionnaire de périphériques PowerAlert. Le point de consigne affiché sur le panneau d'affichage du dispositif sera le point de consigne minimum (lors du refroidissement) ou maximum (en l'absence de refroidissement) permis par l'appareil de refroidissement.
- 3** Si la touche de mise en marche sur le panneau d'affichage de l'appareil de refroidissement est enfoncée pendant que l'appareil se trouve en mode de point de consigne de température à distance, le mode sera annulé.

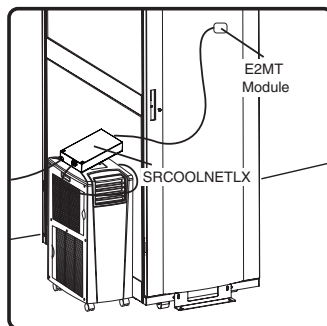
Installation

5-2 Configurer le SRCOOLNETLX pour une utilisation de point de consigne à distance

Pour utiliser la fonction de point de consigne de la température à distance, s'assurer que l'appareil E2MT est installé à l'endroit voulu pour la surveillance et qu'il est raccordé au SRCOOLNETLX **A**.



A



Remarque : SRCOOLNETLX n'est pas illustré à l'échelle. Une bande velcro autocollante est incluse pour le montage du E2MTHDI sur des surfaces différentes ou utiliser son aimant intégré pour une fixation à une surface métallique.

Installation

Depuis l'interface du gestionnaire de périphériques PowerAlert, mettre l'appareil de refroidissement sous tension (ON) en sélectionnant le menu Contrôle. Sous le menu Contrôle, cocher l'option « Turn On Device » (mettre l'appareil sous tension), puis cliquer sur le bouton d'activation à droite. Naviguer ensuite vers Configuration menu > Device Settings **A** (menu de configuration > paramètres de l'appareil) pour s'assurer que le capteur E2MT est sélectionné. Sous la fonction : Menu déroulant des seuils de l'appareil dans la case étiquetée « Value » (valeur), inscrire le point de consigne de la température cible souhaité pour le SRCOOLNETLX **B**, puis appuyer sur le bouton d'activation à droite **C**. La commande du point de consigne sur le panneau d'affichage de l'appareil sera surclassée.

The screenshot shows the 'Device1665 Device Settings' page in the PowerAlert Device Manager. The left sidebar contains a navigation menu with 'Device Settings' highlighted and marked with a red 'A'. The main content area shows the 'Device' dropdown set to 'Device1665' and the 'Function' dropdown set to 'Device Thresholds'. Below these is a table with the following data:

| Name | Group | Value |
|----------------------------------|---------|-------|
| Remote Set Point Temperature (F) | Cooling | 86.0 |

A red 'B' is placed over the '86.0' value, and a red 'C' is placed over a blue play button icon to the right of the table.

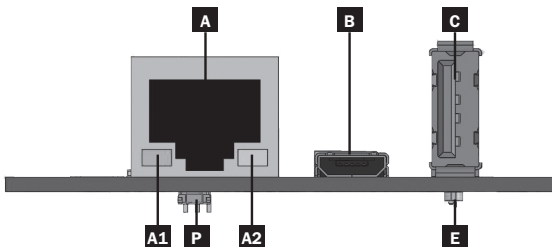
Installation

L'appareil de refroidissement va maintenant commencer à refroidir lorsque le relevé de température de l'E2MT est égal ou excède la valeur du point de consigne saisie. Lorsque la température tombe au-dessous de ce point de consigne, l'appareil va cesser de se refroidir. Si la case « Always On » (toujours sous tension) est cochée, lorsque l'appareil cesse de se refroidir, les ventilateurs vont continuer de fonctionner. Si la case « Always On » n'est pas cochée, les ventilateurs vont s'arrêter et l'appareil va s'éteindre. Une fois que la température atteint de nouveau le point de consigne, l'appareil va redémarrer et commencer à se refroidir jusqu'à ce que la température rapportée par E2MT revienne sous le point de consigne.

Remarque : *Ce cycle se poursuit indéfiniment jusqu'à ce que STOP soit sélectionné à partir de l'interface utilisateur du gestionnaire de périphériques PowerAlert.*

Caractéristiques

- A Port Ethernet :** Utiliser cette prise RJ45 pour connecter le SRCOOLNETLX au réseau avec un cordon de raccordement Ethernet standard. Le voyant à DEL Link (lien) **A1** et le voyant à DEL Status (état) **A2** indiquent les conditions de fonctionnement. Consulter le **tableau des fonctions des voyants à DEL** pour une description des voyants à DEL.
- B Port Micro-USB :** Utiliser ce port pour fournir un raccordement terminal direct à un ordinateur avec un émulateur de terminal. Un câble (numéro d'article : 73156E) est inclus avec le SRCOOLNETLX. Pour commander un câble de remplacement, contacter le service à la clientèle de Tripp Lite au 773 869-1234.
- C Port USB Type-A :** Utiliser ce port pour raccorder le module E2MT inclus pour surveiller les conditions de la température ambiante.
- Remarque :** Ne pas brancher un clavier ou une souris à ce port.
- D Bouton de réinitialisation :** Le bouton de réinitialisation est encastré et est accessible au moyen d'un petit trou sous le port de réseau RJ45. À l'aide d'un trombone ou d'un autre objet similaire, appuyer sur le bouton de réinitialisation pendant 3 secondes pour redémarrer l'interface du réseau. Le fait de redémarrer l'interface du réseau n'effacera pas les paramètres de configuration du réseau, et ne coupera pas non plus l'alimentation secteur. Appuyer sur le bouton de réinitialisation et le maintenir enfoncé pendant 20 secondes pour rétablir les paramètres d'usine par défaut de l'interface du réseau. Rétablir la configuration d'usine par défaut effacera toutes les données précédemment sauvegardées, y compris les paramètres réseau, sans couper l'alimentation secteur.
- E Voyant à DEL Status (état) :** Affiche l'état du SRCOOLNETLX. Consulter le **tableau des fonctions des voyants à DEL** pour une description des voyants à DEL.



Caractéristiques

Tableau des fonctions des voyants à DEL

| Identifiant | Fonction du voyant à DEL | Couleur des voyants à DEL | État | Description |
|-------------|--|---------------------------|----------------------|---|
| A1 | Lien Ethernet/ indicateur d'activité | Vert | Clignotant | Activité du réseau présente sur le port |
| | | | Off (hors tension) | Aucune activité du réseau présente sur le port |
| | | | Off (hors tension) | Effectuer une réinitialisation via l'interface ou le bouton de réinitialisation |
| A2 | Indicateur de vitesse du réseau Ethernet | Jaune | Allumé solide | Vitesse du réseau de 100 Mbps |
| | | | Off (hors tension) | Vitesse de 10 Mbps si A1 |
| | | | Off (hors tension) | Aucune activité du réseau si A1 est aussi hors tension |
| | | | Off (hors tension) | Effectuer une réinitialisation via l'interface ou le bouton de réinitialisation |
| E | État du SRCOOLNETLX | Vert | Allumé solide | Fonctionnement normal |
| | | Vert | Clignotement unique | Indicateur de mise sous tension |
| | | Vert/orange | Off (hors tension) | Aucune alimentation ou carte en cours d'initialisation |
| | | Vert/orange | Alternatif (~1/sec.) | Mise à jour du logiciel en cours |
| | | Vert/orange | Alternatif (~2/sec.) | Rétablissement de la configuration d'usine par défaut |

Caractéristiques

Adaptateur de puissance CA : Utilisé pour alimenter le SRCOOLNETLX.

Remarque : Brancher dans une source d'alimentation CA supportée par un onduleur ou un convertisseur/chargeur afin de maintenir la communication durant une coupure de courant.

Prise d'alimentation CC : Ce port est utilisé pour brancher l'adaptateur CA (prise de sortie) à la source d'alimentation vers le SRCOOLNETLX.

Connecteur interface SRCOOLNETLX : Ce connecteur dédié est utilisé pour brancher le SRCOOLNETLX au SRCOOL12K, au SRXCool12K ou au SRXCool12K(B) et comporte une bague de verrouillage pour assurer la connexion.

Soutien technique

Soutien technique disponible à : www.tripplite.com/support

Garantie

GARANTIE LIMITÉE

Le vendeur garantit ce produit, s'il est utilisé conformément à toutes les instructions applicables, est exempt de tous défauts de matériaux et de fabrication pour une période de 2 ans à partir de la date d'achat initiale. Si le produit s'avère défectueux en raison d'un vice de matière ou de fabrication au cours de cette période, le vendeur s'engage à réparer ou remplacer le produit, à sa seule discrétion. Le service sous cette garantie ne peut être obtenu qu'en livrant ou en expédiant le produit (avec tous les frais d'expédition ou de livraison prépayés) à : Tripp Lite, 1111 W. 35th Street, Chicago, IL 60609 USA. Le vendeur paiera les frais d'expédition de retour. Visiter www.tripplite.com/support avant d'envoyer de l'équipement pour réparation.

CETTE GARANTIE NE S'APPLIQUE PAS À L'USURE NORMALE OU AUX DOMMAGES RÉSUANT D'UNE MAUVAISE UTILISATION, D'UN ABUS OU D'UNE NÉGLIGENCE. LE VENDEUR N'ACCORDE AUCUNE GARANTIE EXPRESSE AUTRE QUE LA GARANTIE EXPRESSÉMENT DÉCRITE DANS LE PRÉSENT DOCUMENT. SAUF DANS LA MESURE OÙ CELA EST INTERDIT PAR LE LOI EN VIGUEUR, TOUTE GARANTIE IMPLICITE, Y COMPRIS TOUTES LES GARANTIES DE QUALITÉ MARCHANDE OU D'ADAPTATION, SONT LIMITÉES À LA PÉRIODE DE GARANTIE CI-DESSUS ET CETTE GARANTIE EXCLUT EXPRESSÉMENT TOUS DOMMAGES DIRECTS ET INDIRECTS. (Certains États ne permettent pas de limitations sur la durée d'une garantie implicite, et certains États ne permettent pas l'exclusion ou la limitation des dommages fortuits ou consécutifs, de sorte que les limitations ou exclusions susmentionnées peuvent ne pas s'appliquer à vous. Cette garantie vous donne des droits légaux spécifiques, et vous pouvez avoir d'autres droits qui varient selon le territoire).

Garantie

AVERTISSEMENT : L'utilisateur individuel doit prendre soin de déterminer avant l'utilisation si cet appareil est approprié, adéquat et sûr pour l'usage prévu. Puisque les utilisations individuelles sont sujettes à des variations importantes, le fabricant ne fait aucune déclaration ou garantie quant à l'aptitude ou l'adaptation de ces dispositifs pour une application spécifique.

Non compatible pour les applications nécessitant l'alimentation électrique par câble Ethernet (PoE).

Renseignements sur la conformité à la directive DEEE pour les clients de Tripp Lite et les recycleurs (Union européenne)



En vertu de la directive et des règlements d'application relatifs aux déchets d'équipements électriques et électroniques (DEEE), lorsque des clients achètent de l'équipement électrique et électronique neuf de Tripp Lite, ils ont droit :

- D'envoyer l'équipement usagé au recyclage pourvu qu'il soit remplacé par un équipement équivalent (cela varie selon les pays)
- De retourner le nouvel équipement afin qu'il soit recyclé à la fin de sa vie utile.

Numéros d'identification à la conformité réglementaire

À des fins de certification de conformité réglementaire et d'identification, un numéro de série unique a été attribué au produit Tripp Lite. Le numéro de série, ainsi que toutes les marques d'homologation et les renseignements requis, se trouvent sur la plaque signalétique du produit. Lors d'une demande de renseignements concernant la conformité de ce produit, toujours se reporter au numéro de série. Le numéro de série ne doit pas être confondu avec le nom de la marque ou le numéro de modèle du produit.

La politique de Tripp Lite est une politique d'amélioration continue. Les caractéristiques techniques sont modifiables sans préavis.



1111 W. 35th Street, Chicago, IL 60609 USA • www.triplite.com/support

Краткое руководство по установке

Сетевая карта для управления по SNMP-протоколу / через Интернет

Модель: SRCOOLNETLX

| | |
|----------------------------|----|
| Установка | 45 |
| Функциональные возможности | 54 |
| Техническая поддержка | 57 |
| Гарантийные обязательства | 57 |
| English | 1 |
| Español | 16 |
| Français | 30 |



Перед установкой внимательно изучите настоящее руководство. Отдельно Руководство пользователя с возможностью загрузки можно найти на странице tripplite.com/support путем ввода SRCOOLNETLX в поле поиска. Дополнительные сведения о настройке и режимах работы см. в Руководстве пользователя.



1111 W. 35th Street, Chicago, IL 60609 USA - www.tripplite.com/support

Охраняется авторским правом © 2018 Tripp Lite. Перепечатка запрещается.

Установка

Устройство SRCOOLNETLX позволяет пользователю поддерживать связь с устройствами местного охлаждения Tripp Lite моделей SRCOOL12K, SRXCOOL12K и SRXCOOL12K(B) и контролировать их работу в качестве управляемых устройств по сети, доступной через веб-браузер, станцию управления сетью, протокол Telnet/SSH или командную строку.

1 – Подготовка

1-1 Проверка содержимого упаковки: помимо настоящего руководства, в полученной вами упаковке должно находиться следующее:

- Кабель Micro-USB длиной 3,6 м для дистанционного измерения температуры и конфигурирования (кат. № 73176E)
- Адаптер 100-240 В~ с разъемами NEMA 5-15P и CEE 7/7
- Модуль E2MT с руководством пользователя
- Липучки
- Установочные резиновые ножки

1-2 Нахождение MAC-адреса: 12-значный MAC-адрес (000667xxxxxx) указан на корпусе устройства SRCOOLNETLX.

1-3 Определение способа инсталляции сети: если DHCP-сервер вашей сети автоматически присвоит устройству SRCOOLNETLX динамический IP-адрес, переходите к **п. 2 "Присваивание динамического IP-адреса"**. Если вы будете присваивать устройству SRCOOLNETLX статический IP-адрес вручную, переходите к **п. 3 "Присваивание статического IP-адреса"**. Если вы не можете определиться с тем, какой из этих способов использовать, то прежде чем продолжить процесс установки, обратитесь за помощью к администратору своей сети.

2 – Присваивание динамического IP-адреса

2-1 Подключение устройства SRCOOLNETLX к устройству SRCOOL12K или SRXCOOL12K(B): при помощи специального разъема **A** подключите устройство SRCOOLNET к коммуникационному порту на боковой панели устройства местного охлаждения (см. рис. 1 в разделе **3-3**).

Установка

2-2 Подключение карты SRCOOLNETLX к источнику питания: подключите адаптер переменного тока **B** к устройству SRCOOLNETLX через разъем с маркировкой "DC Power" **C**, а другой его конец – к источнику питания переменного тока (см. рис. 1 в разделе **3-3**).

Примечание. Устройство SRCOOLNETLX должно быть подключено к источнику питания, защищенному ИБП или преобразователем/зарядным устройством с целью поддержания связи в случае прекращения подачи электроэнергии.

2-3 Подключение устройства SRCOOLNETLX к сети: подключите стандартный соединительный кабель Ethernet к порту RJ45 Ethernet устройства SRCOOLNETLX.

Примечание. Данный порт не поддерживает подключения по технологии PoE (питание по кабелю витой пары).

2-4 Выяснение IP-адреса: для выяснения IP-адреса, присвоенного устройству SRCOOLNETLX, обратитесь к администратору своей сети и сообщите ему MAC-адрес устройства SRCOOLNETLX. Кроме того, IP-адрес может быть определен локально на месте установки карты. Если на вашем ПК еще не установлен драйвер, обеспечивающий последовательное соединение через разъем USB, то вы можете скачать его со страницы www.tripplite.com/support, набрав SRCOOLNETLX в поле поиска. Выберите драйвер под названием "TL-cdc". Для его установки следуйте указаниям, изложенным в сопроводительной документации к драйверу. После установки драйвера и привязки COM-порта запустите программу эмуляции терминала (например, Tera Term Pro). Настройте ее на использование привязанного COM-порта, используя следующие параметры последовательного порта: 115.2Kbps, 8, NONE, 1. Подсоедините кабель USB к ПК, а его разъем Micro-USB — к порту Micro-USB устройства SRCOOLNETLX. При появлении запроса на ввод регистрационных данных войдите в систему как **localadmin / localadmin**. При появлении меню выберите "3- Network Configuration" ("3- Настройка сети"), затем "1- IP Configuration" ("1- Настройка IP-адреса"). На экране отобразится присвоенный IP-адрес. После определения IP-адреса переходите к **п. 4 "Тестирование и настройка"**.

Примечания:

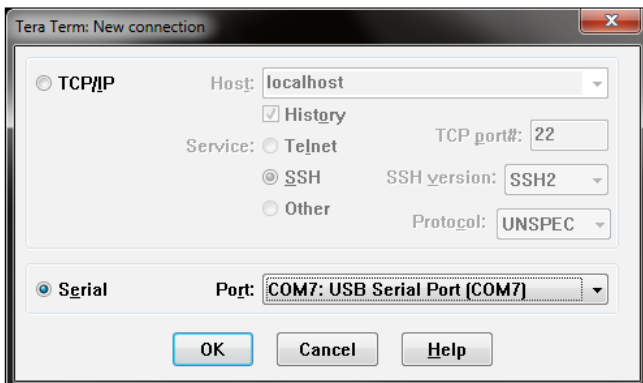
- Имена пользователей и пароли чувствительны к регистру.
- В зависимости от своей системы вы можете при желании запросить долгосрочный период аренды IP-адреса.
- Диспетчер устройства PowerAlert[®] и карта WEBCARDLX поддерживают оба основных типа IP-протоколов: IPv4 и IPv6. По умолчанию карта настроена на получение DHCP-адреса для протокола IPv4, IPv6 или обоих. Получение обоих адресов обеспечивает возможность подключения карты либо по адресу IPv4, либо по адресу IPv6.

Установка

3 - Присваивание статического IP-адреса / конфигурация терминального меню Настройки конфигурации

3-1 Выяснение информации об IP-адресе: SRCOOLNETLX может поддерживать один статический адрес IPv4 (для чего требуется настройка IP-адреса, маски подсети и шлюза) и/или один статический адрес IPv6. Кроме того, SRCOOLNETLX может поддерживать один статический адрес IPv4 или DNS-адрес IPv6, который требуется ввести.

3-2 Настройка программы эмуляции терминала: если данная операция еще не выполнена, скачайте драйвер, обеспечивающий последовательное соединение через разъем USB (TL-cdc), с сайта компании Tripp Lite. Указанный драйвер можно найти на странице www.tripplite.com/support путем ввода "SRCOOLNETLX" в поле поиска. Для его установки следуйте указаниям, изложенным в сопроводительной документации. После установки драйвера и привязки COM-порта настройте программу эмуляции терминала на использование COM-порта, соответствующего порту USB.



Установка

- 3-3 Подключение SRCOOLNETLX к компьютеру:** подключите свой ПК к порту Micro-USB устройства SRCOOLNETLX с помощью кабеля, входящего в комплект.

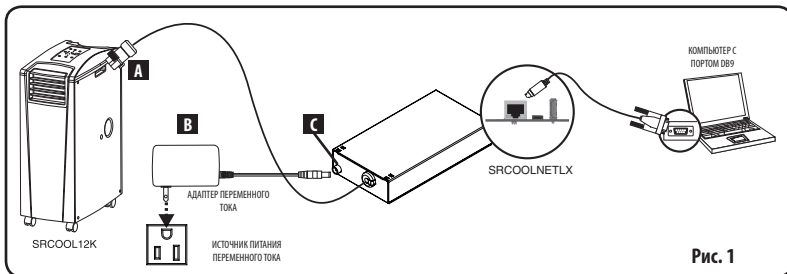


Рис. 1

Примечание. В комплект поставки входят самоклеящиеся липучки для монтажа устройства SRCOOLNETLX на боковой панели устройства кондиционирования воздуха. В качестве альтернативы в случае отдельной установки устройства SRCOOLNETLX можно использовать поставляемые в комплекте с ним резиновые ножки.

- 3-4** После начальной загрузки карты на экране отображается страница входа, аналогичная используемой в системе Linux. Для вывода стандартного меню войдите в систему как **localadmin / localadmin**.

Примечание. Имена пользователей и пароли чувствительны к регистру.

- 3-5** Из главного меню:

- Выберите опцию 3: Network Configuration (Настройка сети)
- Выберите опцию 1: IP Configuration (Настройка IP-адреса)
- Выберите опцию 3: IPv4 setting (Настройки IPv4) или опцию 4: IPv6 settings (Настройки IPv6)
- Выберите опцию 1: Method (Способ)
- Выберите опцию 2: Static (Статический)

Присвойте адрес, маску подсети, шлюз и пр. Сохраните свои настройки, выбрав "А" ("Применить"). Выберите "у" ("Да") для неотложного перезапуска PowerAlert. Закройте сеанс диалога с терминалом.

- 3-6** **Отсоединение кабеля для конфигурирования:** отсоедините кабель для конфигурирования, обеспечивающий подключение устройства SRCOOLNETLX к компьютеру.

Установка

4 - Тестирование и настройка

4-1 Тестирование сетевого подключения: после присвоения карте IP-адреса попробуйте обратиться к ней через веб-браузер. Откройте веб-браузер Firefox или Chrome на компьютере, подключенном к локальной сети, и введите `http://` или `https://`, а затем IP-адрес. На экране отображается окно входа в программу PowerAlert Device Manager. По умолчанию: имя пользователя – **localadmin**, пароль – **localadmin**. После ввода имени пользователя и пароля в окне браузера появится страница статусов программы PowerAlert. Дополнительные сведения о конфигурации и режимах работы управляемого устройства см. в Руководстве пользователя SRCOOLNETLX, размещенном в разделе "Поддержка" на веб-странице изделия.

Примечание. При использовании устройства SRCOOLNETLX с устройством SRCOOL12K, SRXCOOL12K или SRXCOOL12K(B) не пользуйтесь панелью ручного управления устройством охлаждения.

Установка

5 - Использование E2MT в качестве датчика температуры с дистанционной настройкой

Устройство SRCOOLNETLX поддерживает возможность использования входящего в комплект поставки датчика состояния окружающей среды E2MT для управления температурой на выходе указанного устройства вместо штатного внутреннего датчика температуры в потоке возвратного воздуха в устройстве переменного тока.

Датчик E2MT может располагаться в том месте, где вы желаете контролировать конкретное установленное значение температура.

5-1 Важные факторы, которые необходимо учитывать при использовании режима дистанционной установки температуры

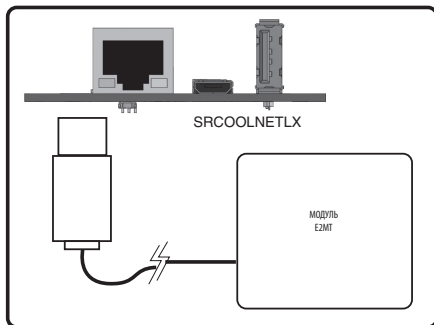
При использовании возможности дистанционной установки температуры, имеющейся в устройстве SRCOOLNETLX, необходимо учитывать следующие факторы:

- 1** Температура, используемая для управления статусом подключенного устройства охлаждения, представляет собой температуру, фиксируемую датчиком E2MT, а НЕ температуру отработанного воздуха. Температура возвратного воздуха может быть выше или ниже температуры, фиксируемой датчиком E2MT.
- 2** При переводе устройства SRCOOLNETLX в режим дистанционной установки температуры в программе PowerAlert Device Manager установленное значение температуры, выводимое на дисплей устройства охлаждения, следует игнорировать. Установленное значение, выводимое на дисплей устройства, будет являться минимальным (при охлаждении) или максимальным (при отсутствии охлаждения) установленным значением, допустимым для соответствующего устройства охлаждения.
- 3** При нажатии кнопки питания на панели устройства охлаждения в режиме дистанционной установки температуры устройство выходит из указанного режима.

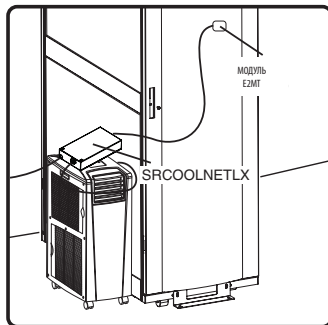
Установка

5-2 Настройка устройства SRCOOLNETLX на использование в режиме дистанционной установки температуры

Для использования функции дистанционной установки температуры датчик E2MT должен быть установлен в надлежащем месте для контроля параметров, а также подключен к устройству SRCOOLNETLX **A**.



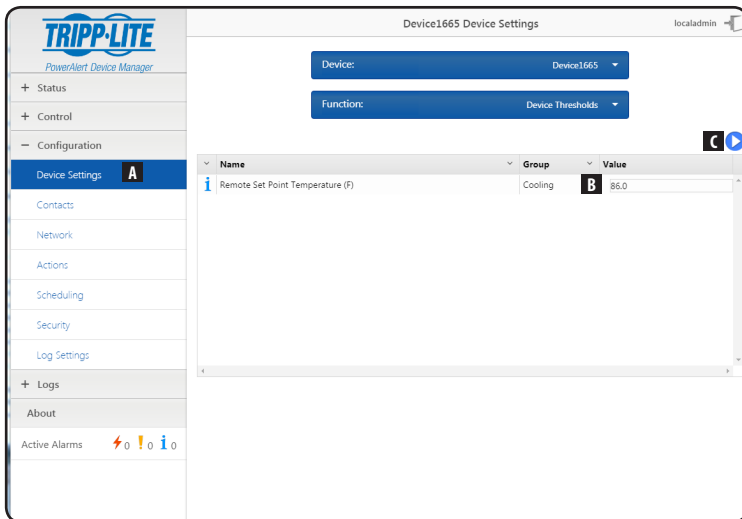
A



Примечание. Устройство SRCOOLNETLX изображено не в масштабе. Для крепления устройства E2MTND1 к различным поверхностям оно комплектуется липучкой, а для крепления к металлическим поверхностям следует использовать встроенный в него магнит.

Установка

Из программы PowerAlert Device Manager включите устройство охлаждения, выбрав меню Control ("Управление"). В меню Control ("Управление") отметьте опцию "Turn On Device" ("Включить устройство") и переведите кнопку включения вправо. Затем перейдите в меню Configuration ("Настройка") > Device Settings ("Настройки устройства") **A** для выбора датчика E2M. При использовании данной функции: в выпадающем меню Device Thresholds ("Предельные значения параметров устройства") введите в поле "Value" ("Значение") значение температуры, которое вы хотите задать для SRCOOLNETLX **B**, и переведите кнопку включения вправо **C**. Управление установкой температуры на дисплее устройства переведено в ручной режим.



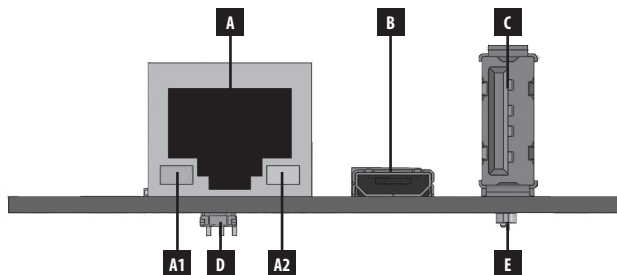
Установка

Теперь устройство охлаждения будет начинать охлаждение в том случае, если температурное показание датчика E2MTHDI будет не ниже введенного вами значения. При падении температуры ниже этого установленного значения устройство будет прекращать охлаждение. При наличии галочки в поле "Always On" ("Всегда вкл.") вентиляторы будут продолжать свою работу и после прекращения охлаждения. При снятии флажка с опции "Always On" ("Всегда вкл.") вентиляторы выключаются, а устройство прекращает работу. При повторном достижении установленного значения температуры устройство запускается снова и производит охлаждение до момента падения температуры, сообщаемой датчиком E2MT, ниже этого установленного значения.

Примечание. *Описанный цикл повторяется неограниченное число раз до нажатия вами кнопки STOP из программы PowerAlert Device Manager.*

Функциональные возможности

- A Порт Ethernet:** разъем RJ45 используется для подключения карты устройства SRCOOLNETLX к сети через стандартный соединительный кабель Ethernet. СИД Link (Связь) **A1** и СИД Status (Статус) **A2** используются для обозначения рабочих режимов. Описание сигналов светодиодных индикаторов см. в таблице **Таблица функций светодиодных индикаторов**.
- B Порт Micro-USB:** используйте этот порт для обеспечения прямого терминального подключения к компьютеру с помощью программы эмуляции терминала. Устройство SRCOOLNETLX комплектуется кабелем (кат. № 73156Е). В случае необходимости заказа запасного кабеля обращайтесь в службу поддержки клиентов компании Tripp Lite по тел. 773.869.1234.
- C Порт Type-A USB:** используйте этот порт для подключения входящего в комплект модуля E2MT с целью контроля температуры окружающей среды.
- Примечание.** *Не подключайте к этому порту клавиатуру или мышь.*
- D Кнопка перезапуска:** утопленная кнопка перезапуска доступна через небольшое отверстие, расположенное под сетевым портом RJ45. Для перезагрузки сетевого интерфейса нажмите кнопку перезапуска с помощью скрепки или другого подходящего предмета и удерживайте ее в течение 3 секунд. При перезагрузке сетевого интерфейса не происходит стирания сетевых настроек или прерывания электропитания переменного тока. Для восстановления заводских настроек сетевого интерфейса нажмите на кнопку перезапуска и удерживайте ее в течение 20 секунд. При восстановлении заводских настроек все ранее сохраненные данные, включая сетевые настройки, удаляются без прекращения подачи питания переменного тока.
- E СИД Status ("Статус"):** показывает статус устройства SRCOOLNETLX. Описание сигналов светодиодных индикаторов см. в таблице **Таблица функций светодиодных индикаторов**.



Функциональные возможности

Таблица функций светодиодных индикаторов

| Обозначение | Функция СИД | Цвет СИД | Статус | Описание |
|-------------|---|-----------------------|------------------------|--|
| A1 | Индикатор Ethernet Link/Activity (Локальная сеть: связь/активность) | Зеленый | Мигание | Наличие сетевой активности на данном порте |
| | | | Выкл | Отсутствие сетевой активности на данном порте |
| | | | Выкл | Выполняется через интерфейс или кнопкой перезапуска |
| A2 | Индикатор скорости передачи данных по сети Ethernet | Желтый | Постоянное горение | Скорость передачи данных по сети: 100 Мбит/с |
| | | | Выкл | При мигании индикатора A1 скорость передачи данных составляет 10 Мбит/с |
| | | | Выкл | Если A1 также выкл., сетевая активность отсутствует |
| | | | Выкл | Выполняется через интерфейс или кнопкой перезапуска |
| E | Статус устройства SRCOOLNETLX | Зеленый | Постоянное горение | Нормальный режим работы |
| | | Зеленый | Однократная вспышка | Индикатор включения питания |
| | | Зеленый/ оранжевый | Выкл | Отсутствие питания или инициализация карты |
| | | Зеленый/ оранжевый | Чередующийся (~1/сек.) | Выполняется обновление программного обеспечения |
| | | Зеленый/ оранжевый | Чередующийся (~2/сек.) | Производится восстановление заводских настроек |

Функциональные возможности

Адаптер питания переменного тока: используется для подачи электропитания на устройство SRCOOLNETLX.

Примечание. *Устройство должно подключаться к источнику питания, защищенному ИБП или преобразователем/зарядным устройством с целью поддержания связи в случае прекращения подачи электроэнергии.*

Разъем питания постоянного тока: этот разъем используется для подключения адаптера переменного тока (выходного разъема) в целях подачи электропитания на устройство SRCOOLNETLX.

Интерфейсный разъем карты SRCOOLNETLX: этот специализированный разъем используется для подключения устройства SRCOOLNETLX к устройству SRCOOL12K, SRXCOOL12K или SRXCOOL12K(B) и снабжен стопорным кольцом для фиксации соединения.

Техническая поддержка

За технической поддержкой можно обратиться на сайте www.tripplite.com/support

Гарантийные обязательства

ОГРАНИЧЕННАЯ ГАРАНТИЯ

Продавец гарантирует отсутствие изначальных дефектов материала или изготовления в течение 2 лет с момента первоначальной покупки данного изделия при условии его использования в соответствии со всеми применимыми к нему указаниями. В случае проявления каких-либо дефектов материала или изготовления в течение указанного периода Продавец осуществляет ремонт или замену данного изделия исключительно по своему усмотрению. Обслуживание по настоящей Гарантии производится только при условии доставки или отправки бракованного изделия (с предварительной оплатой всех расходов по его транспортировке или доставке) по адресу: Tripp Lite, 1111 W. 35th Street, Chicago, IL 60609, USA. Расходы по обратной транспортировке изделия оплачиваются Продавцом. Перед возвратом любого оборудования для проведения ремонта ознакомьтесь с информацией на странице www.tripplite.com/support.

ДЕЙСТВИЕ НАСТОЯЩЕЙ ГАРАНТИИ НЕ РАСПРОСТРАНЯЕТСЯ НА СЛУЧАИ ЕСТЕСТВЕННОГО ИЗНОСА ИЛИ ПОВРЕЖДЕНИЯ В РЕЗУЛЬТАТЕ АВАРИИ, НЕНАДЛЕЖАЩЕГО ИСПОЛЬЗОВАНИЯ, НАРУШЕНИЯ ПРАВИЛ ЭКСПЛУАТАЦИИ ИЛИ ХЛАТНОСТИ. ПРОДАВЕЦ НЕ ПРЕДОСТАВЛЯЕТ НИКАКИХ ЯВНО ВЫРАЖЕННЫХ ГАРАНТИЙ ЗА ИСКЛЮЧЕНИЕМ ПРЯМО ИЗЛОЖЕННОЙ В НАСТОЯЩЕМ ДОКУМЕНТЕ. ЗА ИСКЛЮЧЕНИЕМ СЛУЧАЕВ, ЗАПРЕЩЕННЫХ ДЕЙСТВУЮЩИМ ЗАКОНОДАТЕЛЬСТВОМ, ВСЕ ПОДРАЗУМЕВАЕМЫЕ ГАРАНТИИ, ВКЛЮЧАЯ ВСЕ ГАРАНТИИ ПРИГОДНОСТИ ДЛЯ ПРОДАЖИ ИЛИ ИСПОЛЬЗОВАНИЯ ПО НАЗНАЧЕНИЮ, ОГРАНИЧЕНЫ ПО ПРОДОЛЖИТЕЛЬНОСТИ ДЕЙСТВИЯ ВЫШЕУКАЗАННЫМ ГАРАНТИЙНЫМ СРОКОМ; КРОМЕ ТОГО, ИЗ НАСТОЯЩЕЙ ГАРАНТИИ ЯВНЫМ ОБРАЗОМ ИСКЛЮЧАЮТСЯ ВСЕ ПОБОЧНЫЕ, СЛУЧАЙНЫЕ И КОСВЕННЫЕ УБЫТКИ. (В некоторых штатах не допускается введение ограничений на продолжительность действия тех или иных подразумеваемых гарантий, а в некоторых - исключение или ограничение размера побочных или косвенных убытков. В этих случаях вышеизложенные ограничения или исключения могут на вас не распространяться. Настоящая Гарантия предоставляет вам конкретные юридические права, а набор других ваших прав может быть различным в зависимости от юрисдикции).

ВНИМАНИЕ! До начала использования данного устройства пользователь должен убедиться в том, что оно является пригодным, соответствующим или безопасным для предполагаемого применения. В связи с большим разнообразием конкретных применений производитель не дает каких-либо заверений или гарантий относительно пригодности данных изделий для какого-либо конкретного применения или их соответствия каким-либо конкретным требованиям.

Несовместимо с технологиями PoE (питание по кабелю витой пары).

Гарантийные обязательства

Информация по выполнению требований Директивы WEEE для покупателей и переработчиков продукции компании Tripp Lite (являющихся резидентами Европейского союза)



Согласно положениям Директивы об утилизации отходов электрического и электронного оборудования (WEEE) и исполнительных распоряжений по ее применению, при покупке потребителями нового электрического или электронного оборудования производства компании Tripp Lite они получают право на:

- Продажу старого оборудования по принципу "один к одному" и/или на эквивалентной основе (в зависимости от конкретной страны)
- Отправку нового оборудования на переработку после окончательной выработки его ресурса

Идентификационные номера соответствия нормативным требованиям

В целях сертификации на соответствие нормативным требованиям и опознавания приобретенному вами изделию марки Tripp Lite присвоен уникальный серийный номер. Серийный номер располагается на заводской табличке вместе со всеми необходимыми отметками о приемке и прочей информацией. При запросе информации о соответствии данного изделия нормативным требованиям обязательно указывайте его серийный номер. Серийный номер не следует путать с торговым наименованием изделия или номером его модели.

Компания Tripp Lite постоянно совершенствует свою продукцию. Технические характеристики могут изменяться без предварительного уведомления.



Продукция высшего качества.

1111 W. 35th Street, Chicago, IL 60609 USA • www.tripplite.com/support