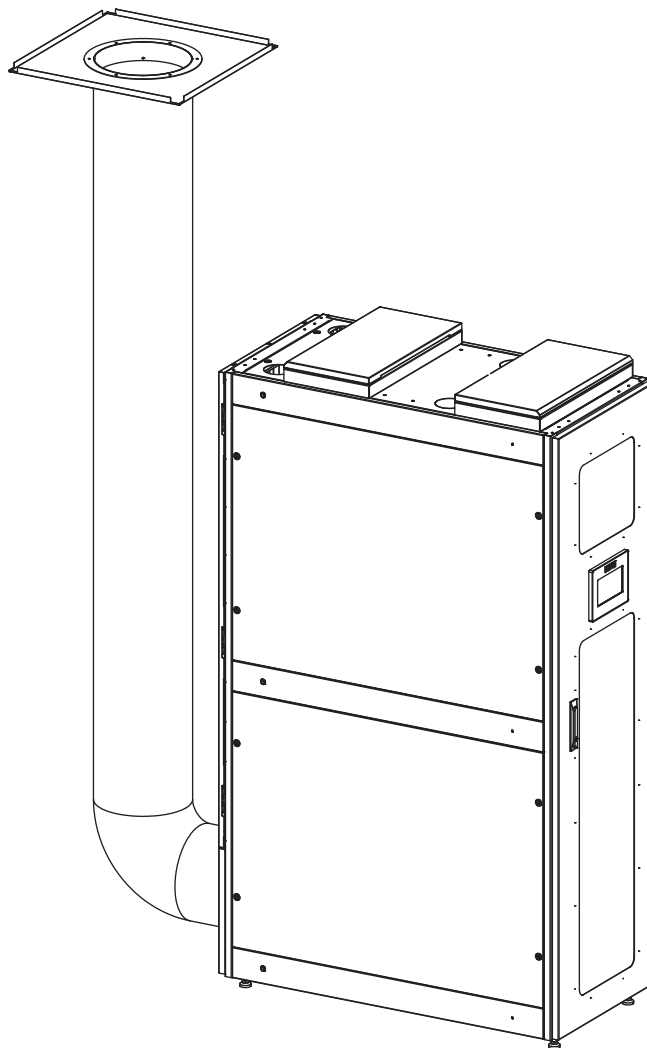


SmartRack® 5.5kW Rack-Mount Precision Cooling System

Model:
SRCOOL5KWRM42U



Purchased product
may differ from image.

Español 36

Français 71



Powering Business Worldwide

Table Of Contents

1	Important Safety Information	3	5	Operation	22
1.1	Handling Information	4	5.1	Start Up	22
2	Introduction	5	5.2	Homepage	23
3	General Information	6	5.3	Settings	24
3.1	External Features	6	5.4	Maintenance Mode	25
3.2	Physical	7	5.5	Data Menu	26
3.3	Environment	8	5.6	Graphs Menu	26
3.4	Unpacking	9	5.7	Alarm Menu	27
4	Installation	11	5.8	Factory Reset	27
4.1	Device Installation	11	6	Maintenance	32
4.2	Electrical Connections	13	6.1	Condenser Filter Replacement	32
4.3	Hot Air Duct Installation	14	6.2	Evaporator Filter Replacement	33
4.4	Condensate Removal	15	7	Troubleshooting	34
4.5	Communication	20	7.1	Possible Problems and Solutions	34
4.6	Emergency Ventilation Assembly	21	7.2	Alarms and Solutions	34
			8	Warranty	35

1 Important Safety Information

SAVE THESE INSTRUCTIONS

Prior to installation, operation, maintenance or servicing of this equipment, read this manual thoroughly. Keep in mind the following symbols that may appear so as to warn of potential danger or attention.

Only those who are properly trained or qualified to use this appliance should do so. Anyone who is not trained or qualified should not use this device unless it is under the supervision of someone who is properly trained or qualified to do so. Children must be supervised to ensure that they do not play with the appliance. This appliance is classified as APPLIANCE NOT ACCESSIBLE TO THE GENERAL PUBLIC. If the supply cord is damaged, it must be replaced by the manufacturer, its service agent or similarly qualified persons in order to avoid a hazard. The appliance should be installed in accordance with national wiring regulations GWP for R410A (R32/125: 50/50): 2087.5. An all-pole disconnection device which has at least 3 mm separation distance in all pole and a residual current device (RCD) with the rating of above 10mA shall be incorporated in the fixed wiring according to the national rule.

Explanation of Symbols

The following symbols illustrate messages to warn of potential danger and need for caution and attention.



This symbol indicates that with failure to comply with the instructions, there will be a risk of electric shock resulting in injury, as noted in the "DANGER" or "WARNING" safety labels.



This is a safety alert symbol used to warn of potential personal injury hazards. Follow all safety information to avoid personal injury or death that may arise.



DANGER

DANGER indicates an imminently hazardous situation which, if not avoided, will result in death or serious injury.



WARNING

WARNING indicates a potentially hazardous situation which, if not avoided, can result in death or serious injury.



CAUTION

CAUTION indicates a potentially hazardous situation which, if not avoided, can result in minor or moderate injury.

NOTICE

NOTICE addresses practices not related to physical injury including certain environmental hazards, potential damage or loss of data.



CAUTION

Refrigerant high pressure and hazard to equipment

- This unit operates under high pressure. Observe proper safety precautions when operation or servicing the unit.
- The equipment is to be charged with R-410A only.

Failure to observe this warning may result in serious injury or equipment damage.

1 Important Safety Information

1.1 Handling Information

Read handling information prior to installing, operating, servicing or maintaining the equipment. Comply with local regulations and laws when handling refrigerant.



DANGER

Hazard of electric shock, explosion or arc flash

- Apply appropriate personal protective equipment (PPE) and follow safe electrical work practices.
 - This equipment must be installed and serviced by qualified personnel only.
 - Comply with all local and national wiring and safety regulations applicable where unit will be installed.
 - Turn off all power supplying this equipment before working on or inside of the equipment.
 - Always use a properly rated voltage sensing device to confirm power is off.
 - Replace all devices, doors and covers before turning on power to this equipment.
- Failure to observe this warning may result in death or serious injury.



WARNING

Hazard from moving parts

- Keep hands, clothing and jewelry away from moving parts. Check the equipment for foreign objects before closing the doors and starting the equipment.
- Failure to observe this warning may result in death or serious injury.



CAUTION

Hazard to equipment or personnel

- All work must be performed only by qualified personnel.
- Failure to observe this warning may result in death or serious injury.



WARNING

Hazard of equipment falling over

- Make sure no spare parts or tools are in the equipment before handling the equipment.
- Failure to observe this warning may result in serious injury or equipment damage.



CAUTION

Hazard to equipment or personnel

- Make sure no spare parts or tools are in the equipment before handling the equipment.
- Failure to observe this warning may result in serious injury or equipment damage.

2 Introduction

The SRCOOL5KWRM42U SmartRack 5.5kW Rack-Mount Precision Cooling System consists of three main components: emergency ventilation components, cabinets and SRCOOL5KWRM air conditioning unit. This is a one-rack cooling system with a self-contained cooling unit that does not require indoor-to-outdoor refrigerant piping and the cooling unit is pre-charged with refrigerant. The dedicated cooling unit and custom rack with internal insulation deliver an optimized system to thermal manage critical equipment in server room and edge computer installation within an enterprise or in remote installations.

Cabinet

The cabinet used with the SRCOOL5KWRM42U system is a 19-inch standard cabinet with width x depth x height dimensions of 23.6 x 47.3 x 81.4 in. (600 x 1200 x 2068 mm). The cabinet provides 27U of usable space for rack mounting IT equipment with top and bottom cable entry. It is designed for the installation, management and protection of network equipment, servers, storage devices and other critical equipment. Constructed of steel plates, the cabinet offers the necessary strength and stability.

Air Conditioning

The air conditioning system has a cooling capacity of 5.5 kW (18766 BTU/h), and it is installed at the bottom.

The SRCOOL5KWRM is a bottom-mounted precision, independent DX air-cooled system. Its integrated design eliminates the need for piping between indoor and outdoor units, as well as any special cooling infrastructure. Therefore, the air conditioning unit can operate independently and safely within the cabinet to ensure that equipment remains at an appropriate operating temperature.

Emergency Ventilation

Emergency ventilation is a measure taken to protect equipment from overheating or overload during sudden events or emergencies. These events may include fires, power failures, equipment malfunctions, etc., leading to increased temperatures inside the cabinet and the inability of equipment to function normally. The primary objective is to maintain the stability and reliability of equipment operation during emergencies. By promptly removing heat, the risk of equipment overheating is reduced, thereby minimizing the possibility of equipment damage.

Notes:

- *These are cooling-only devices with no heating capability.*
- *The AC unit requires 3U above the cooling unit for proper air clearance, which leaves 27U for rack-mount IT equipment.*
- *The system is not designed for harsh or dirty environments.*
- *For maximum cooling performance, ensure all RU spaces without equipment have blanking panels installed.*

3 General Information

3.1 External Features

- ① Emergency Ventilation Assembly
- ② Front Door
- ③ Display
- ④ Side Panel
- ⑤ Rear Door
- ⑥ Nameplate Label
- ⑦ Evaporator
- ⑧ Evaporator Fan
- ⑨ Condenser Fan
- ⑩ Condenser
- ⑪ 1U Blanking Panel

Note: 1U blanking panels maximize performance by concentrating cold air near installed IT equipment. Do not remove blanking panels unless you plan to install additional IT equipment.

- ⑫ Support Footing

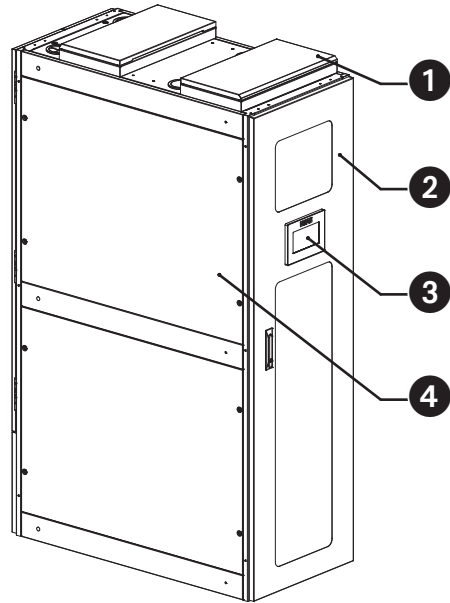


Figure 3-1 Cabinet appearance

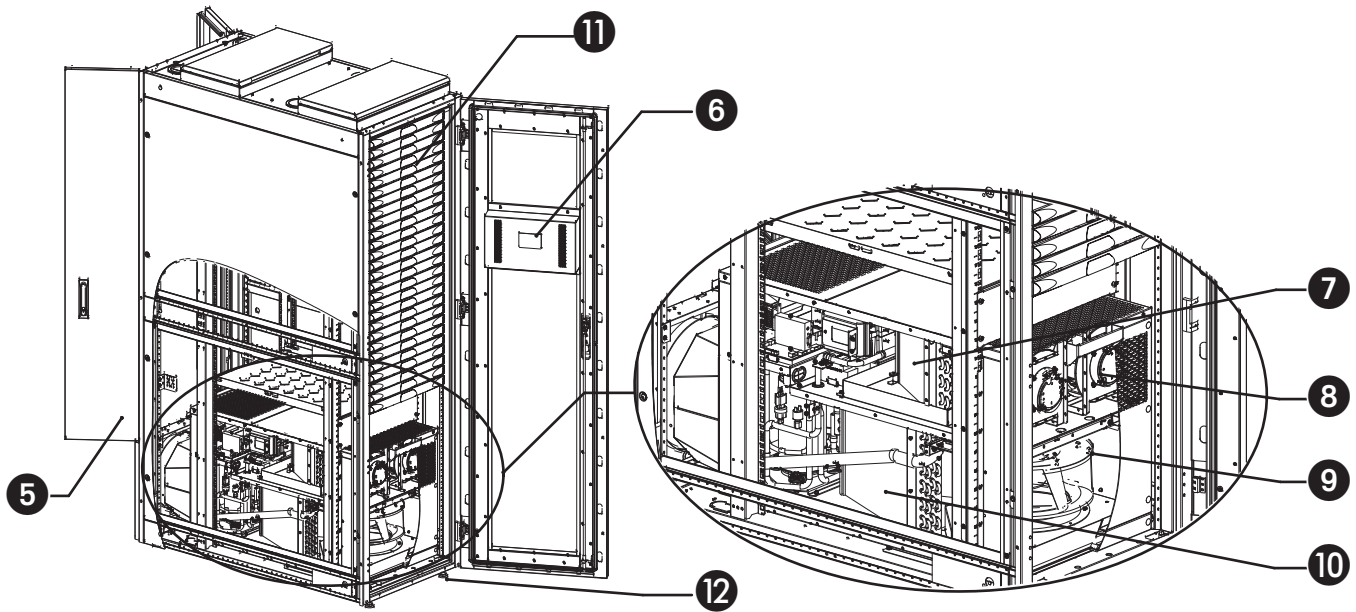


Figure 3-2 Cabinet and air conditioning section view

3 General Information

3.2 Physical

Net weight—lb. (kg)	589.74 (267.5)
Shipping weight—lb. (kg)	612.74 (278)

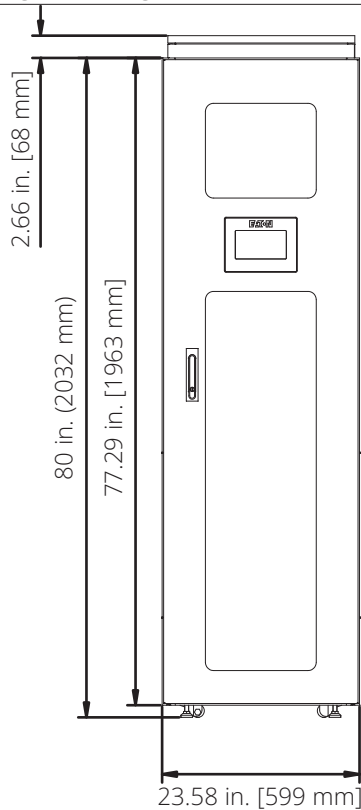


Figure 3-3 Front view

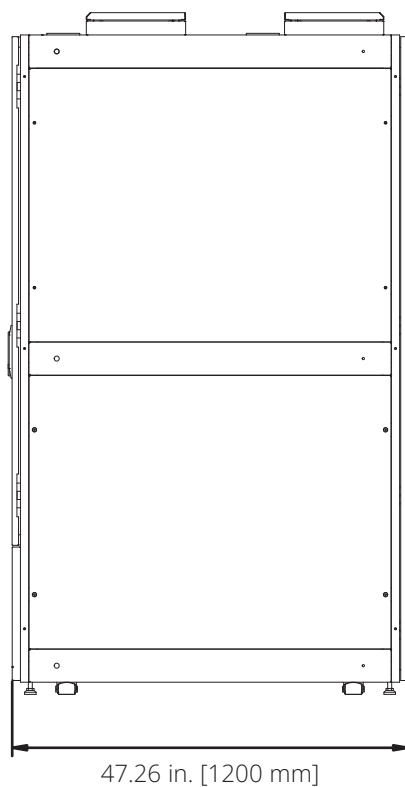


Figure 3-4 Side view

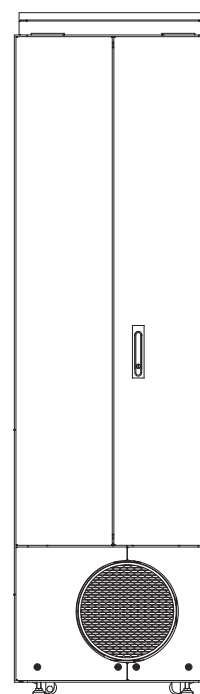


Figure 3-5 Rear view

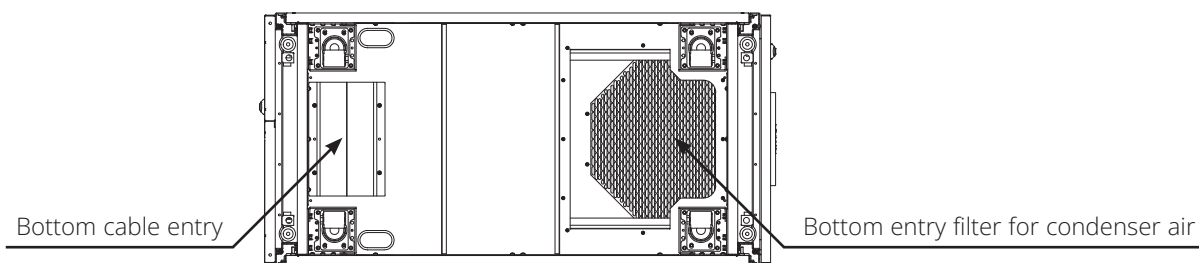
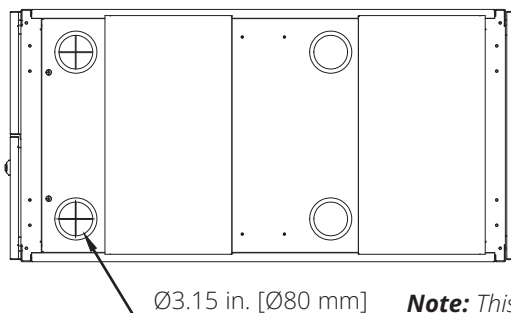


Figure 3-6 Bottom view



Top cable entry

Figure 3-7 Top view

Note: This hole can be used for vertical pumped condensate water removal.

3 General Information

3.3 Environment

Performance Rated Conditions

- Inside rack: 64.0 ~ 98.6°F (17.7 ~ 37°C), 20%~80%
- Outside rack: 55.4 ~ 95°F (13 ~ 35°C)*

* Cooling performance will be reduced if the outside rack temperature reaches 95 ~ 113°F (35 ~ 45°C). If the outside rack temperature is greater than 113°F (45°C), the system will go into protection mode (standby).

- ❶ **Evaporator Air Outlet**
- ❷ **Evaporator Air Inlet**
- ❸ **Condenser Air Outlet**
- ❹ **Condenser Air Inlet** (Opening Located at the Bottom of the Cooling Unit and Rack)
- ❺ **Hot Air Exhaust Duct Interface**

Room temperature air enters through the bottom front of the rack and flows through the rear condenser. This air removes the heat from the refrigerant and pushes it through the rear of the rack and into the hot air duct.

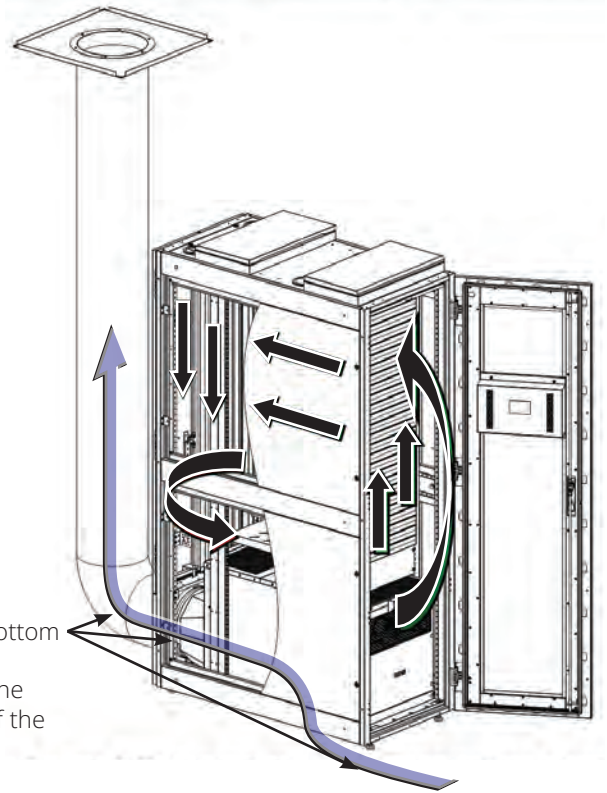


Figure 3-8 Cabinet airflow organization diagram

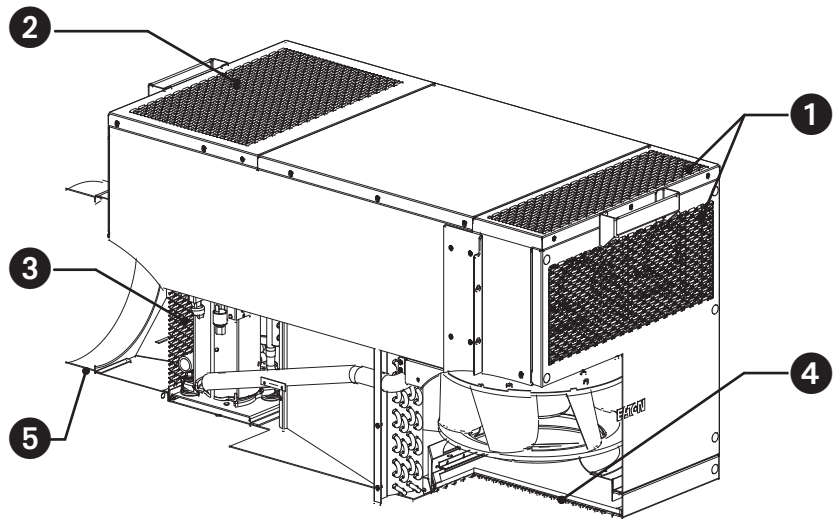


Figure 3-9 Air conditioning supply/return tuyere introduction

3 General Information

3.4 Unpacking

Use care when unpacking the unit. The unit should be placed on its pallet as close to the final installation location as possible to minimize having to move the unit at a later time.

For detailed unpacking procedure, refer to the procedure shown in the picture in this section.

Packing sequence: 1, 2, 3, 4, 5, 6, 7

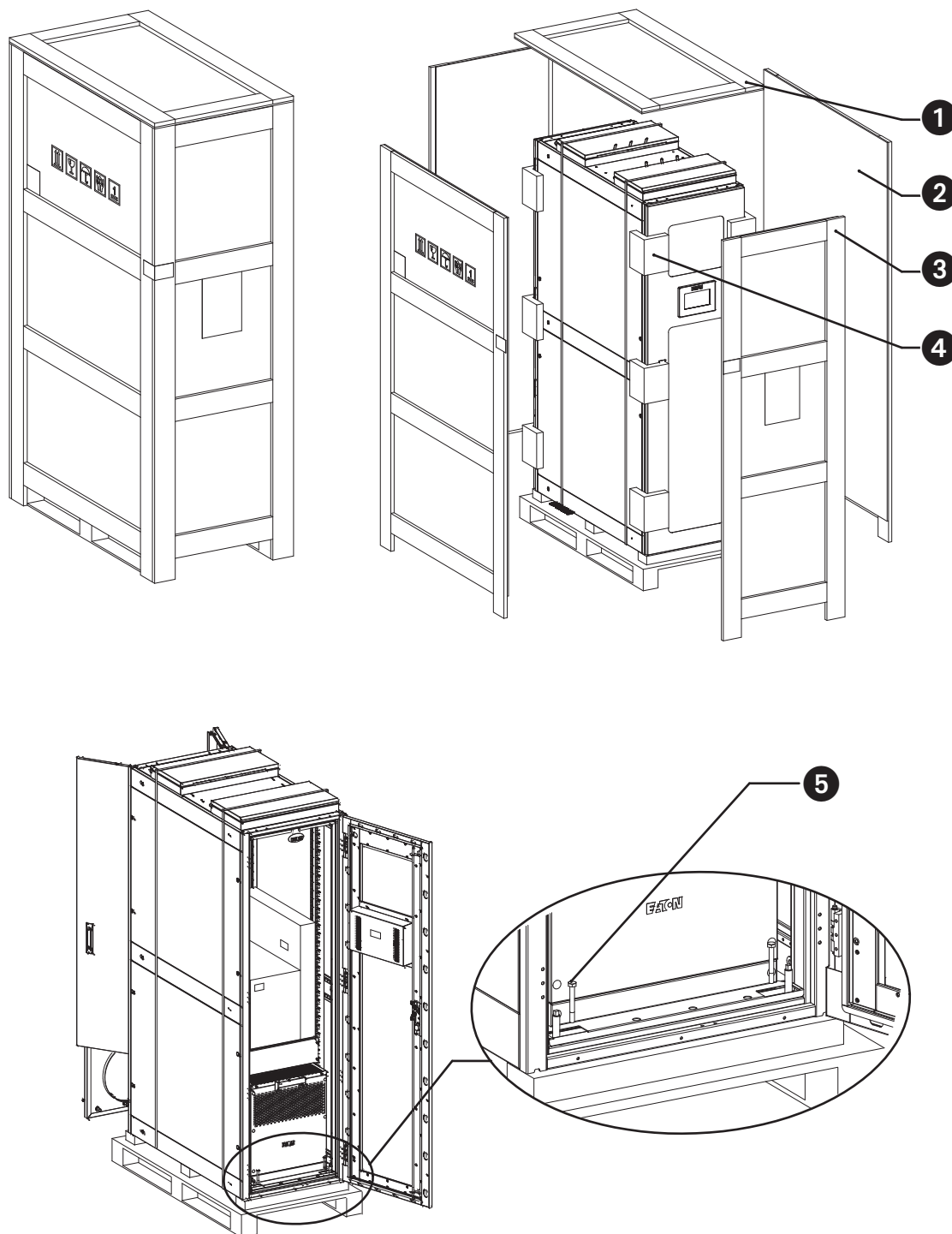


Figure 3-10 Disassembly diagram 1

3 General Information

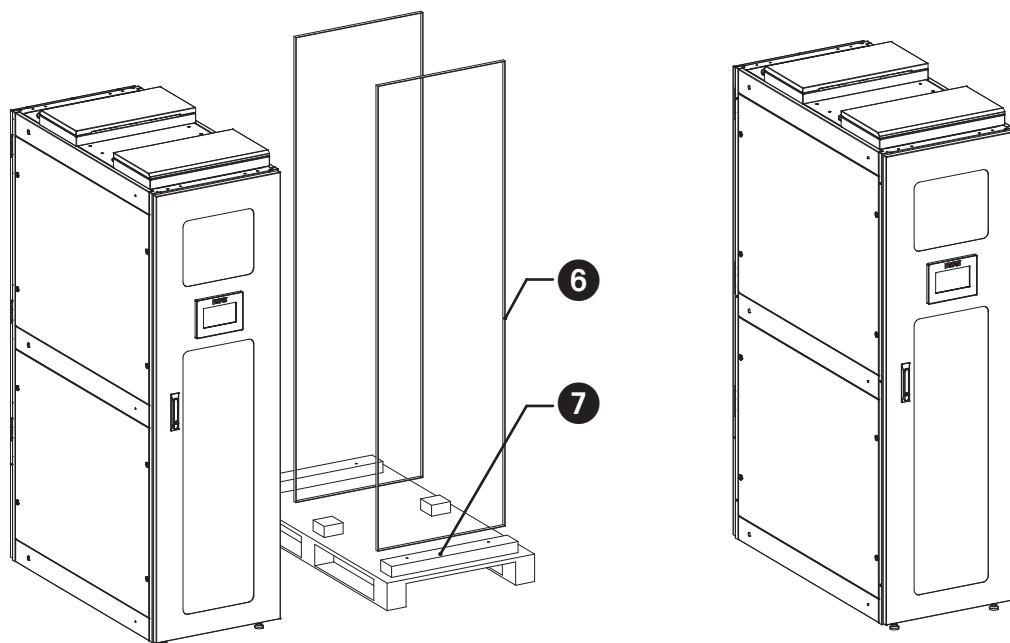


Figure 3-11 Disassembly diagram 2

- ① Top Plate—1 pc.
- ② Front Plate—2 pc.
- ③ Side Plate—2 pc.
- ④ Cushioning Cotton—12 pc.
- ⑤ Screws, M8x65—4 pc.
- ⑥ Packing Belt—2 pc.
- ⑦ Base Plate—1 pc.

4 Installation

4.1 Device Installation

When moving the SRCOOL5KWRM42U unit to its destination, use a tool to adjust the four support footing at the bottom of the cabinet. Rotate the leveling feet clockwise to raise the cabinet and counterclockwise to lower the cabinet. The cabinet must be adjusted to the horizontal state. The distance between the cabinet bottom and the floor must have a minimum separation of 2.76 in. (70 mm) or greater. However, the leveling feet can be adjusted if necessary to create additional stabilization for the rack.

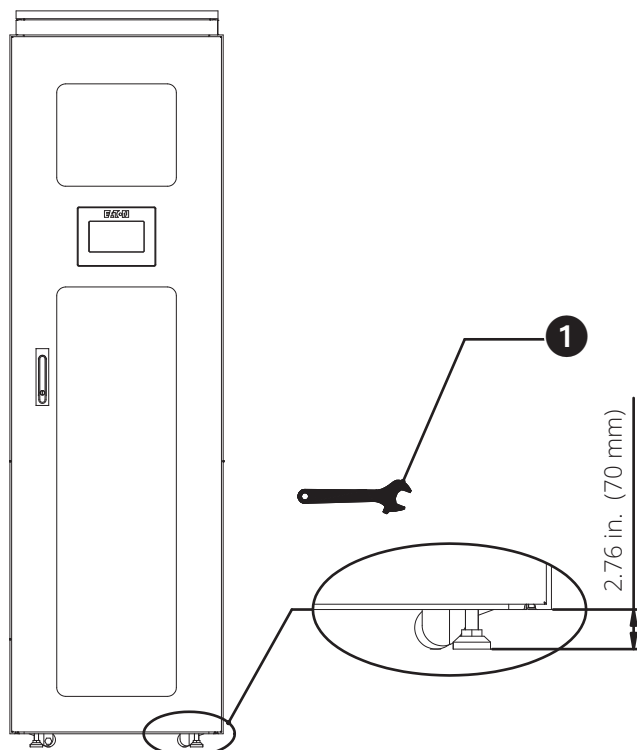


Figure 4-1 Support footing adjustment

- 1 Use an open wrench or adjustable wrench to adjust the footing.

Note: An adjustable wrench is shown here.

4.1.1 Installation Clearance

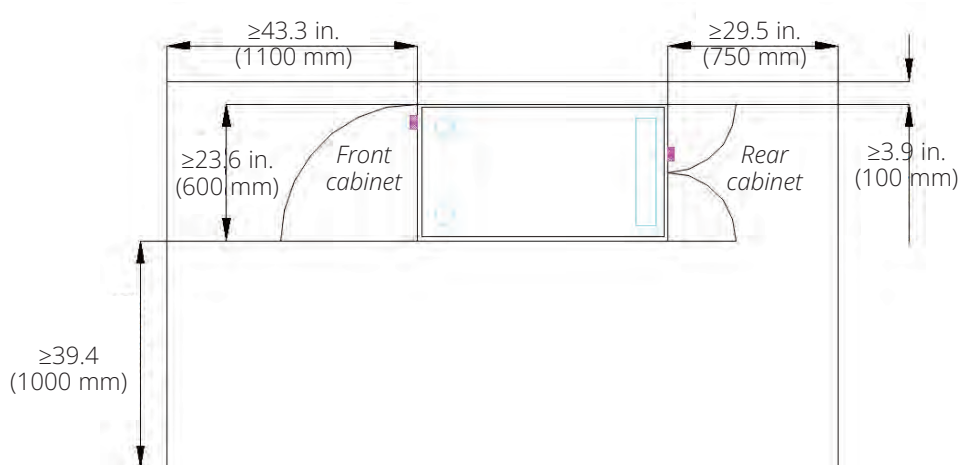


Figure 4-2 Top view

4 Installation

4.1.2 IT Equipment Installation

The equipment should be installed from the bottom up, starting with the highest kW heat load at the bottom of the rack above the non-removable metal 3U blanking panel.

The IT equipment with the second highest heat load should then be installed above it. Continue this process with each subsequent lesser heat load installed toward the top of the rack.

All remaining open U spaces must have a blanking panel installed. Failing to install the blanking panels can lead to improper operation of the cooling system and may trigger the emergency vents at the top of the rack.

If you need to have a U space or multiple U spaces between the installed IT equipment, a blanking panel or panels must be installed in those spaces.

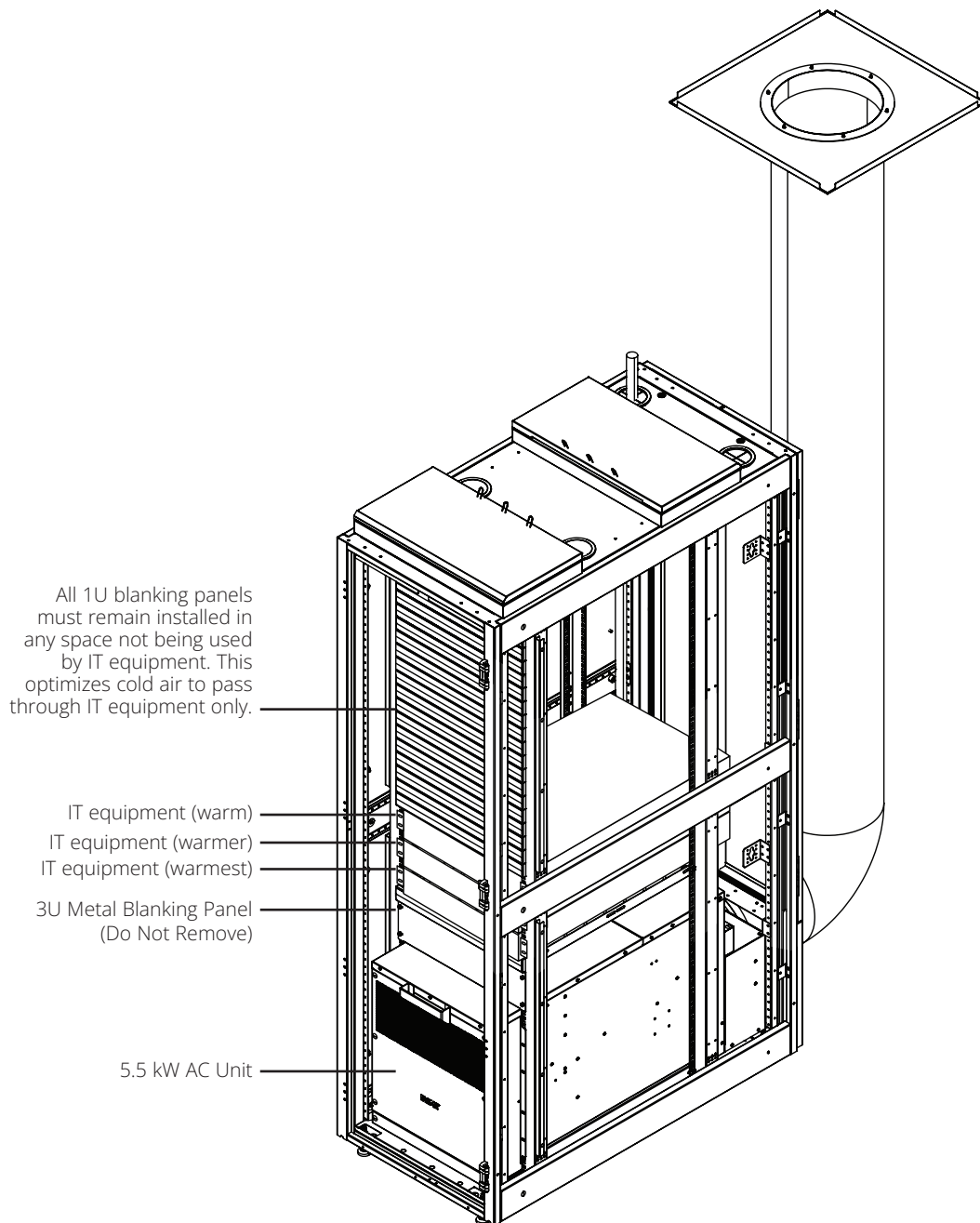


Figure 4-3 IT equipment installation and airflow

4 Installation

4.2 Electrical Connections

Note: A power cord (optional) is provided with the unit. However, if the user chooses to power the unit via hardwire, they should use solid copper wire appropriate for 30A per the local electric code.

- 1 Power Cord
- 2 Power Cable Port Inlet
- 3 Power Connection Terminals (Cover Removed)
- 4 SNMP Port
- 5 Web Card RJ45 Port

Voltage	208V
Phase	1Ph
Frequency	60 Hz
Full Load Current (FLA)	18A
Minimum Circuit Ampacity (MCA)	22A
Maximum Overcurrent Protection (MOP), Breaker Size	30A

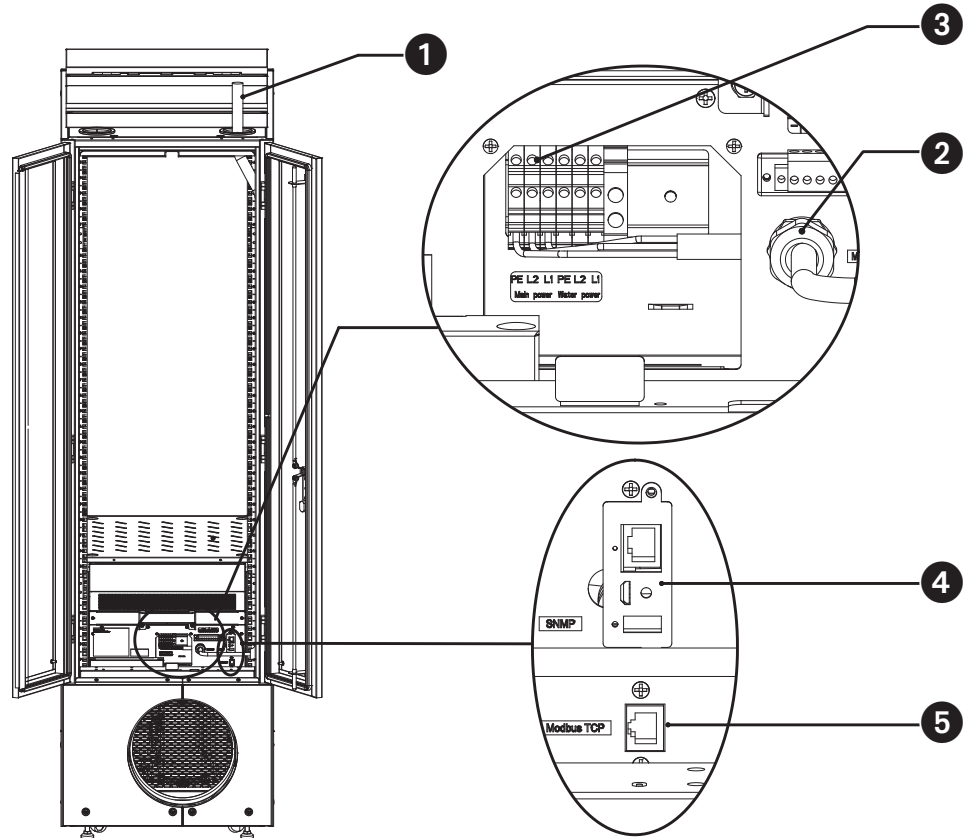
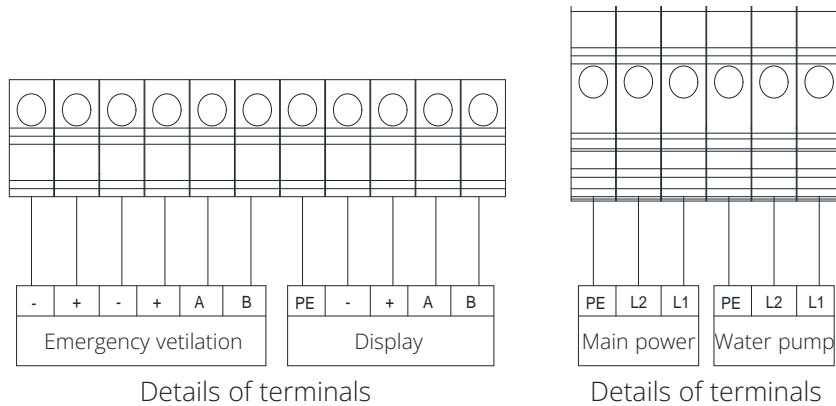


Figure 4-4 Electrical connections



Note: The Emergency covers and Display are already connected to the terminal block. The wall adapter for the Emergency ventilation is to be connected to the left most side “-” and “+” terminals of the Emergency Ventilation terminal block.

Notes:
 Connecting to mains power requires a trained certified professional.
 The water pump is already connected to this terminal block.

Figure 4-5 Terminals Diagrams

4 Installation

4.3 Hot Air Duct Installation

Before installing the exhaust duct, first open the rear door of the cabinet and remove the maintenance cover **4** under the rear door.

Attach the clamp on the exhaust duct **2** **3**, then attach to the exhaust duct interface **5** at the bottom of the unit. Adjust the throat collar to the bottom of the exhaust duct interface about 0.8 in. (20 mm) and lock the throat collar to secure.

At the other end of the exhaust duct on the air outlet ceiling board, move the throat collar to the bottom of the air outlet ceiling board about 0.8 in. (20 mm) and lock the throat collar to secure.

Finally, attach the air outlet ceiling adapter **1** on the ceiling bracket and reinstall the maintenance cover on the rear of the cabinet to complete the hot air duct installation.

1 Air Outlet Ceiling Adapter

2 Clamp (Attach at Both Ends of the Exhaust Duct)

3 Hot Air Exhaust Duct
(13.3 ft. / 4053 mm)

4 Maintenance Cover

5 Exhaust Duct Interface

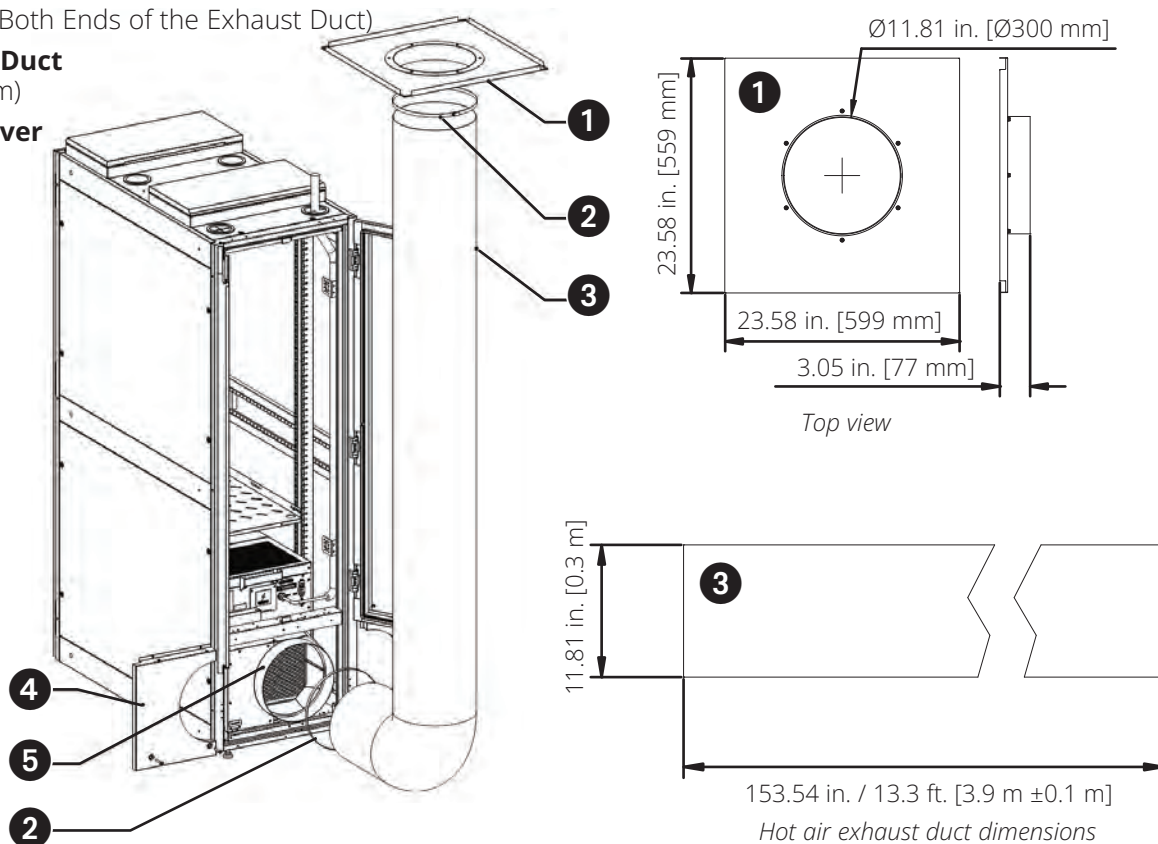


Figure 4-6 Exhaust duct assembly

4 Installation

4.4 Condensate Removal

The unit has three water drainage methods: evaporative water method (default mode), pump drainage and gravity drainage. Each drainage method is described in detail below.

4.4.1 Introduction to Condensate Removal Parts for the Air Conditioner

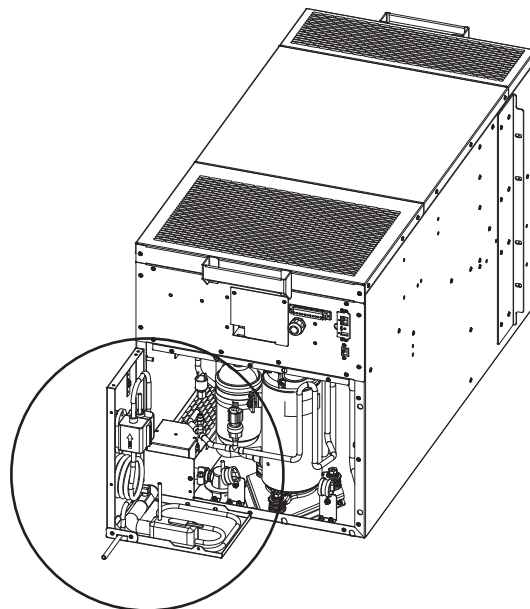


Figure 4-7 Condensate assembly

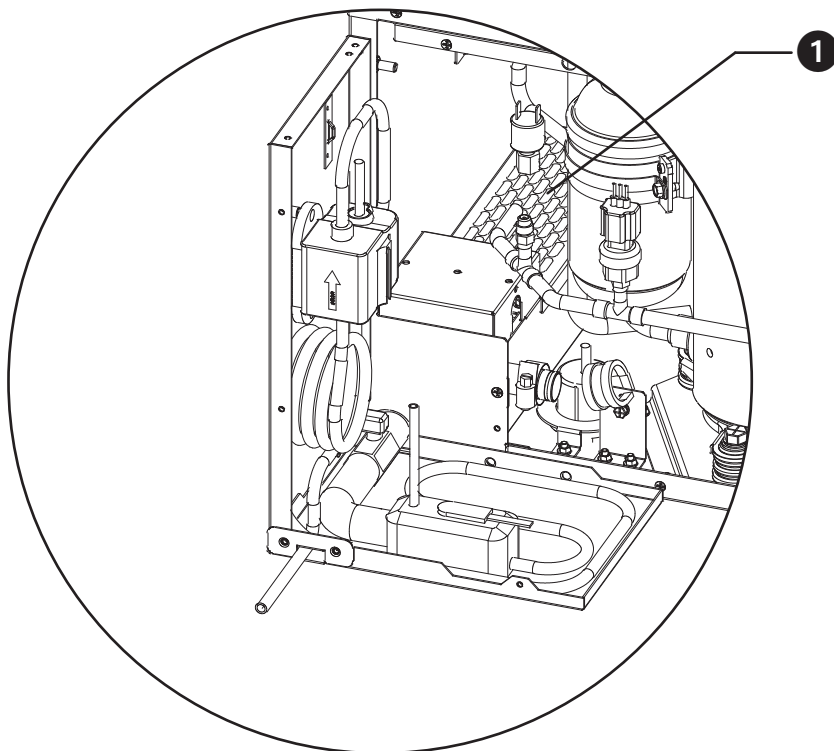


Figure 4-8 Evaporating water pan and heater

4 Installation

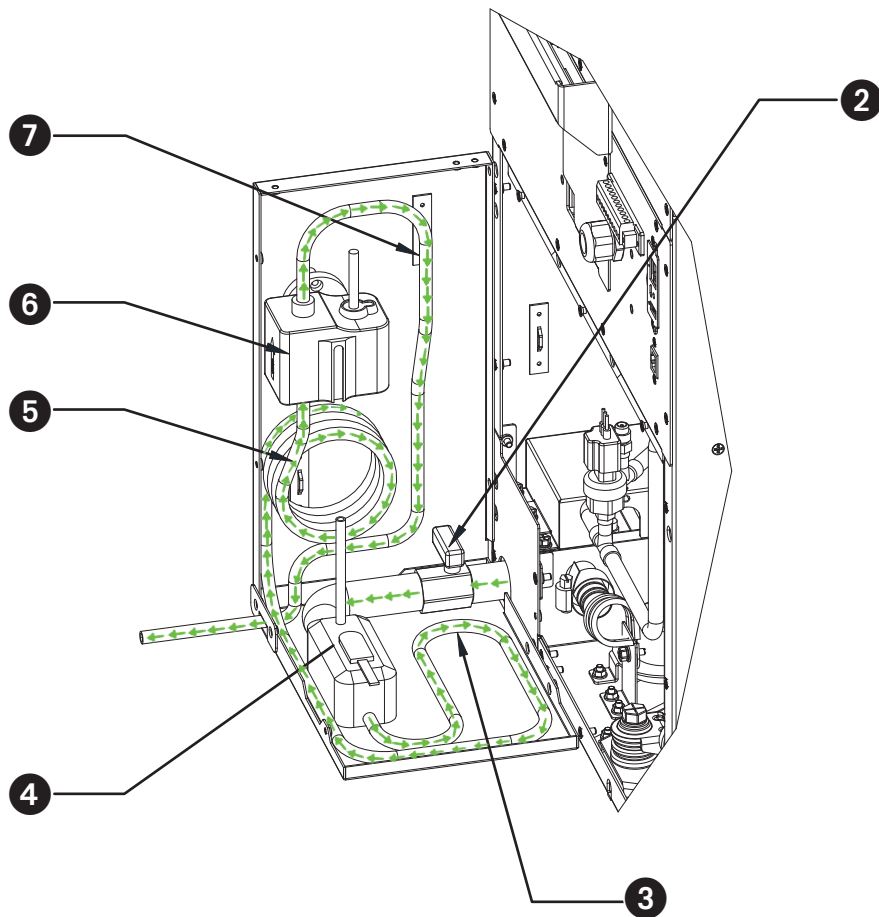


Figure 4-9 Water flow path and pump assembly parts introduction

- ① Evaporative Water Heater
- ② Water Valve (Shown Closed)
- ③ Tube 1: Water Box Outlet/Water Pump Inlet
- ④ Water Box
- ⑤ Tube 1: Water Box Outlet/Water Pump
- ⑥ Water Pump
- ⑦ Tube 2: Water Pump Outlet/Unit Outlet

4 Installation

4.4.2 Evaporative Water Method (Default)

The unit you received is defaulted to this water removal method, and there are no changes required if you want to use this method. In this evaporative water removal method, the water valve is closed and the pump does not operate. The evaporated water vapor leaves the cooling unit via the rear circular duct interface and into the hot air duct.

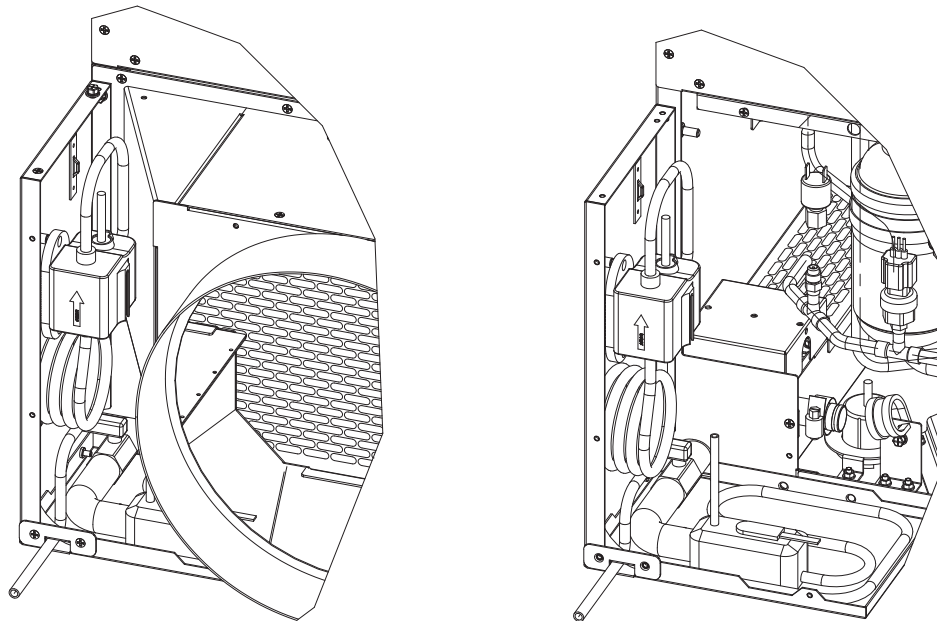


Figure 4-10 Evaporative drainage

4.4.3 Pump Drainage Method

Pump drainage can be divided into upward drainage and downward drainage.

4 Installation

4.4.3.1 Pump Outlet with Upward Drainage

For upward water drainage, first connect an extended hose/tube to the outlet "Tube 2" in the upward direction and secure the extended hose/tube to the cabinet vertical frame using cable ties. Once the extended hose/tube has been positioned in its final place, open the "Water Valve" by aligning the handle to the same direction as the tube its attached to. For additional information on the location of "Tube 2" and the "Water Valve" see Figure 4-9.

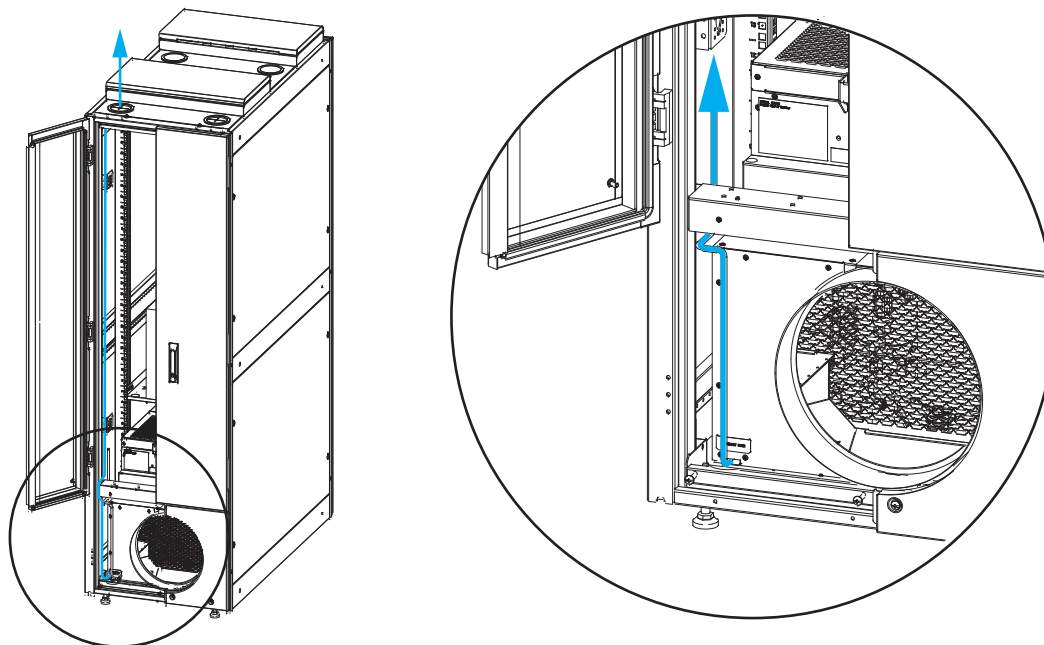


Figure 4-11 Pump drainage upward drainage

4.4.3.2 Pump Outlet Downward Drainage

If you choose to drain downward, first route Tube 2 along the bottom crossbar of the door frame, extending the water pipe through the $\Phi 14$ hole on the right side of the bottom crossbar to drain. Then open the "Water Valve" by aligning the handle to the same direction as the tube its attached to. For additional information on the location of "Tube 2" and the "Water Valve" see Figure 4-9.

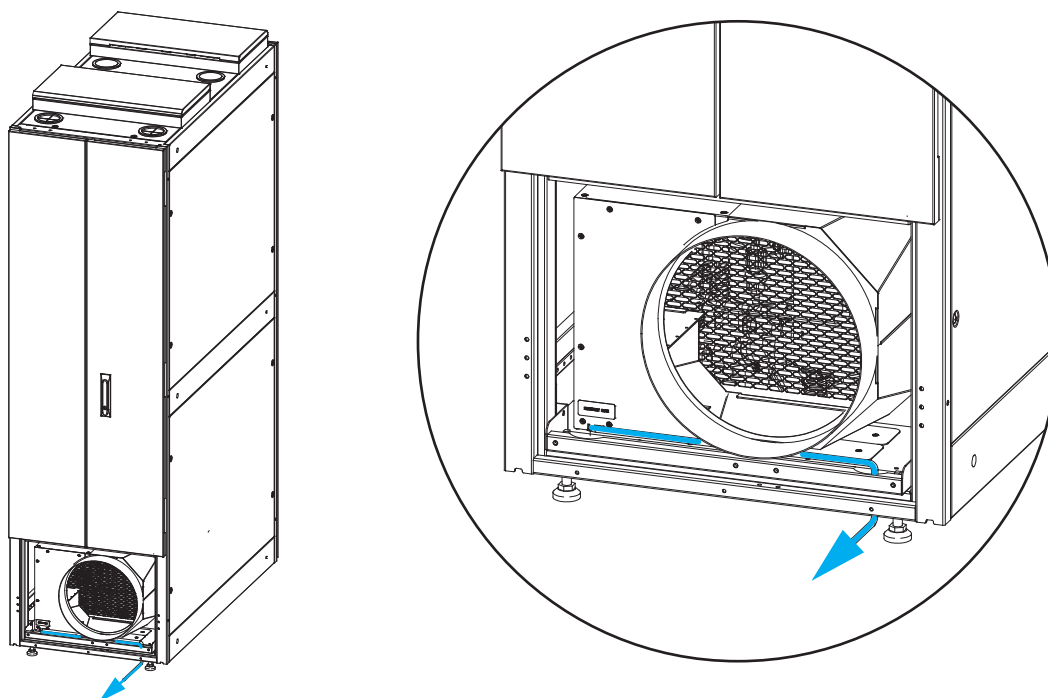


Figure 4-12 Pump drainage downward drainage

4 Installation

4.4.4 Gravity Drainage

When you choose gravity drainage for drainage:

1. Remove the maintenance rear cover.
2. Unplug the water pump inlet pipe and extend it outside for drainage.
3. Open the water valve.

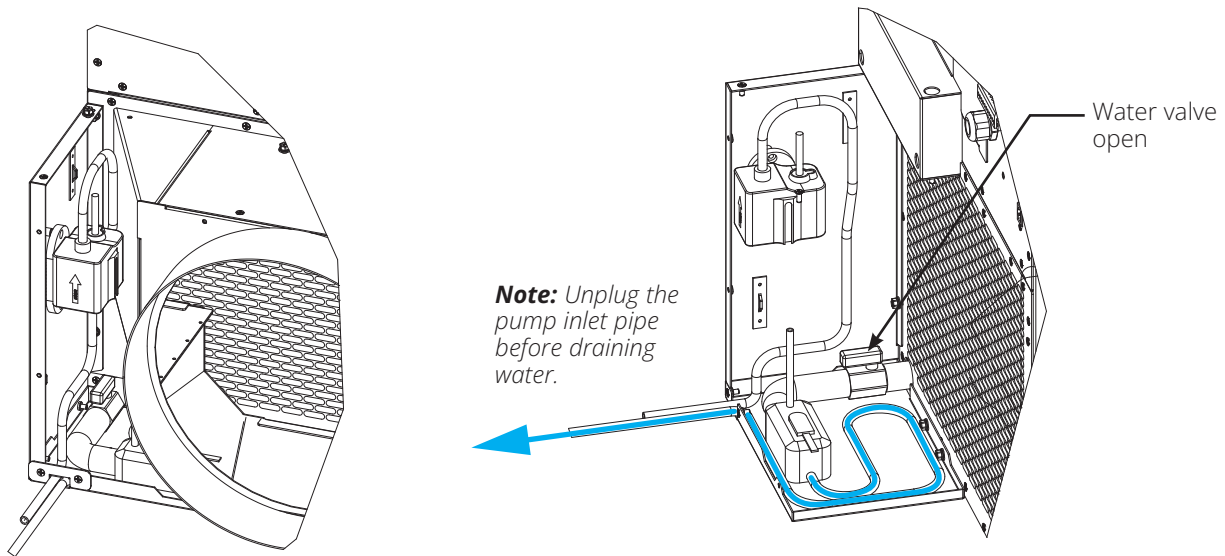


Figure 4-13 Gravity drainage

4 Installation

4.5 Communication

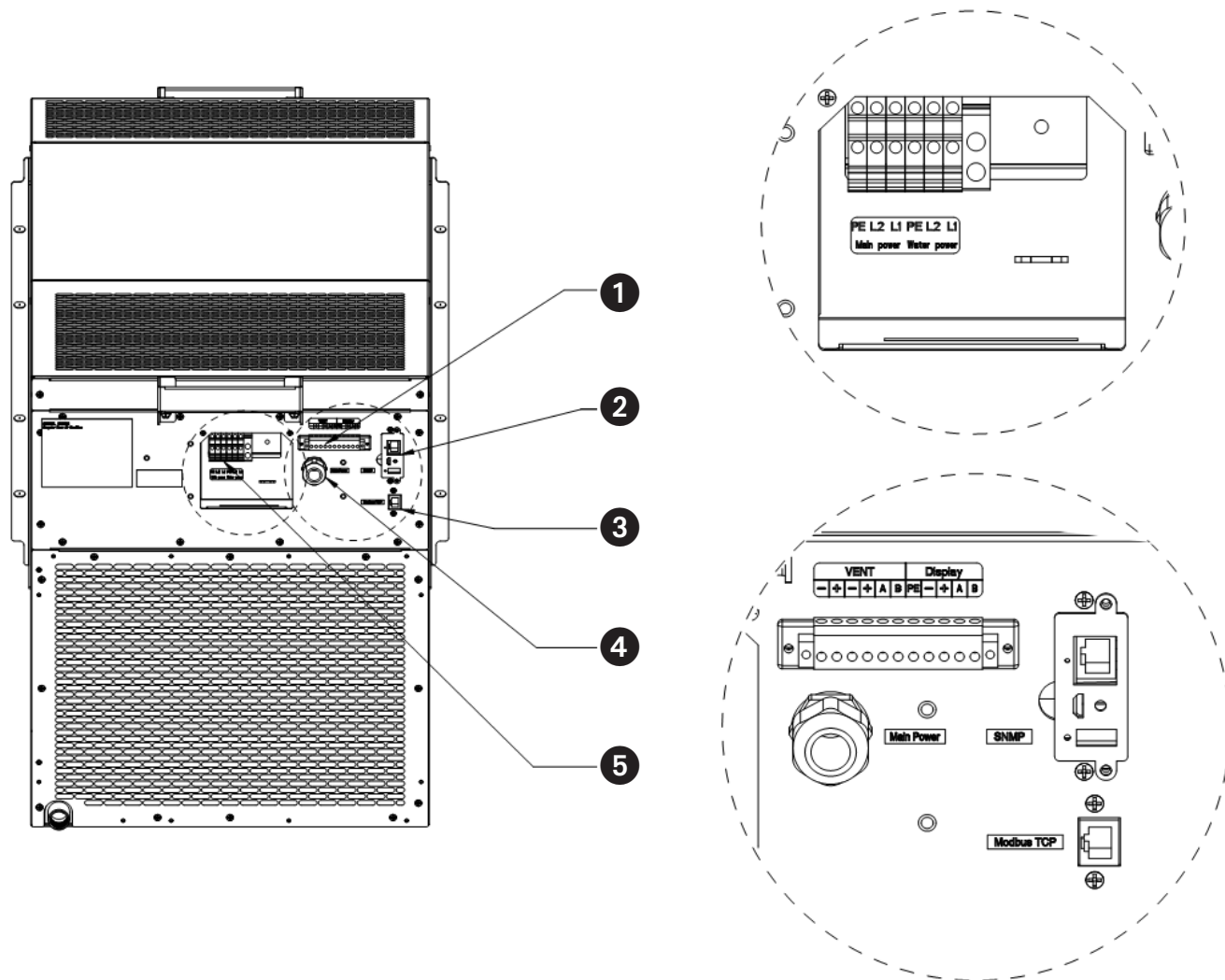


Figure 4-14 Communication panel

- ① Emergency Ventilation and Display Terminals
- ② SNMP Port
- ③ Modbus TCP Port
- ④ Main Power Cable Port*
- ⑤ Main Power and Water Pump Terminal

* An optional, detached 12 ft. (3.7 m) power cord with an L6-30 plug is included. Please contact the Eaton presales engineering team for a service part number to install the power cord.

4 Installation

4.6 Emergency Ventilation Assembly

The two emergency ventilation covers are already connected to the cooling unit. However, to energize the electromagnet on these two covers, the wall adapter must first be connected to the Emergency Ventilation Terminal Block (refer to section **4.2 Electrical Connections** for details).

If the SRCOOL5KWRM malfunctions due to power failure and the internal temperature of the rack reaches 104°F (40°C), the emergency ventilation cover has thermal sensors that will trigger the lid release, allowing the hot air within the rack to escape from the rack. An SNMP alert via the SRCOOL5KWRM remote management will notify you that the vent has opened.

Once the cabinet is installed, the movable cover plate above the emergency ventilation assembly on the top should be open. To ensure the cabinet is properly installed and the air conditioner power cable is connected correctly, power on the air conditioner and start it. Wait for a moment, then manually press the movable cover plate of the emergency ventilation assembly down until the electromagnet above the emergency ventilation assembly is drawn with the iron block. The emergency ventilation components are now installed.

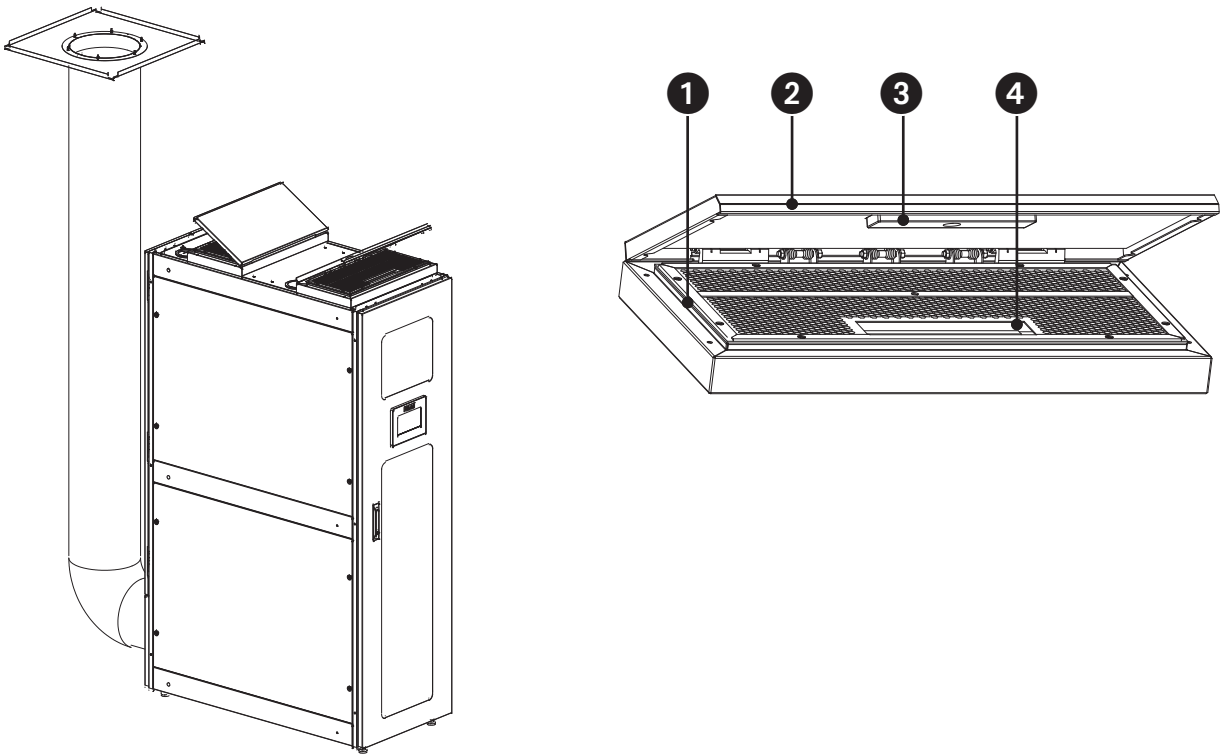


Figure 4-15 Emergency ventilation assembly

- ① Main Frame
- ② Movable Cover Plate
- ③ Iron Block
- ④ Electromagnet

5 Operation

5.1 Start Up

Review the installation instructions and check the items below:

- Visual safety inspection.
- Service clearances checked.
- All accessories are installed.

Review the electrical wiring and connections and ensure they are safe, installed properly and compliant to code:

- Input power is within range of nameplate.
- Circuit breaker/fuse sizes.

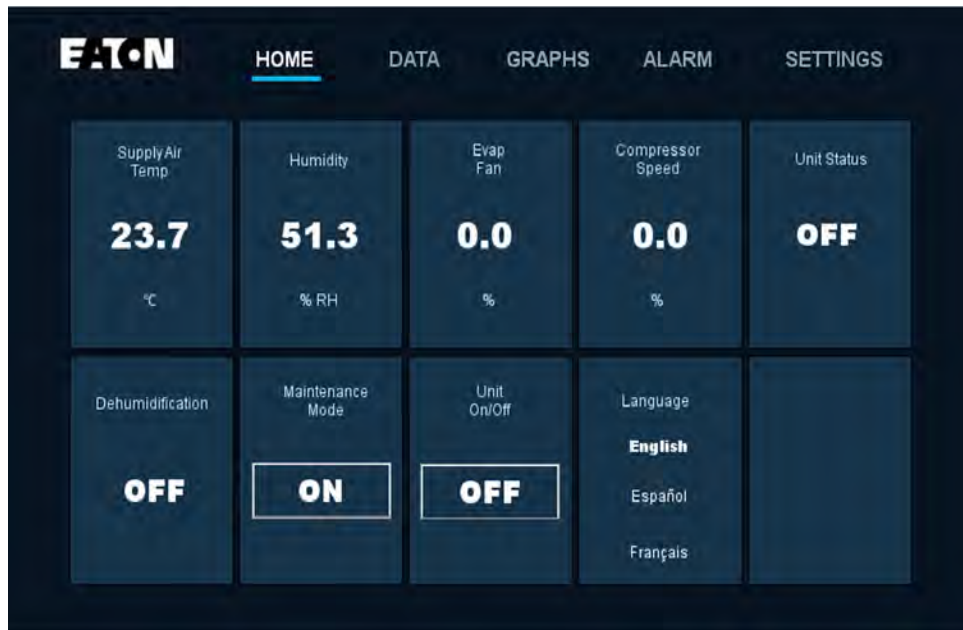


Figure 5-1 Home screen

Turn on the cooler using the On/Off button on the home screen (home page).

Wait approximately 20 minutes for the unit to stabilize to the operating environment. Then access the Data and Graphs screens (shown above) to observe and record the following:

- Cooling is active and compressor engages (y/n).
- Sub-cooling data.
- Low pressure.
- High pressure.
- Evaporating temperature.
- Condensing temperature.

This information is helpful should there be a need for troubleshooting.

5 Operation

5.2 Homepage

The homepage menu shows digital input data and digital output data.

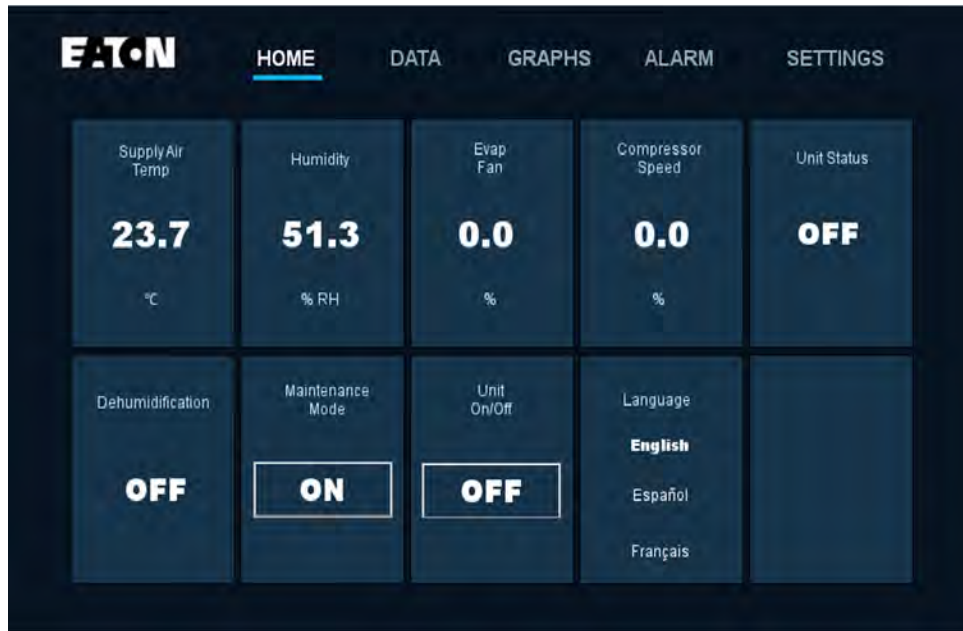


Figure 5-2 Homepage

- **Supply Air Temp:** The current temperature of the discharge air.
- **Dehumidify:** The status of the dehumidify system. It will display "ON" when the return air humidity exceeds the humidity setting + the humidity band.
- **Fan:** The current total fan speed expressed as a percent of max cumulative airflow.
Note: If maximum fan speed is set to 80% for example, the home screen will only show up to 80%.
- **Compressor Speed:** The current speed of the compressor as a percent based on system demand.
- **Maintenance Mode:** The control button to toggle Maintenance Mode (must be enabled in user settings). Refer to Maintenance Mode section for more information.
- **Unit Cooler On/Off:** The control button to turn the AC unit on or off.
- **Unit Status:** The current cooling status of the AC unit, specifically whether the compressor is engaged. The AC unit status is on when the compressor is running and in standby when the compressor is off.
Note: When in standby, the fans may still rotate to circulate air.
- **Language:** The language selection for the user interface.

5 Operation

5.3 Settings

Settings is divided into three parts. From low to high permissions are User Settings, Maintenance Settings and Factory Settings.



Figure 5-3 Settings

Setting	Description	Notes
Temp Setting	The desired temperature of the discharge air.	If setting the control mode to Return Air, this setting becomes "Return Air Temp."
Humidity Setting	The target relative humidity of the dehumidification system.	The cooler cannot add humidity to the air.
High Temp Alarm Band	If the discharge temperature goes below this value, an alarm is triggered.	If setting Control Mode to Return Air, you must adjust this setting to be based off of the return air temperature instead.
High Humid Alarm Band	If the return air humidity exceeds the humidity setting + the high humid band setting, an alarm is triggered. For example, if the user humidity setting is 50% and the user wants the high humidity alarm to trigger at 80% RH, set this to 30%. If dehumidification mode is enabled, a high-humidity alarm will engage dehumidification mode.	
Restart Delay Time	Restart delay after restoring power. If power is lost, the cooler will automatically restart after this delay time.	
Control Mode: Supply Air (Default)	The cooling control strategy will be based off the temperature of the discharge air. Return air: The cooling control strategy will be based off the temperature of the entering air.	If the load is lower than 30% of rated cooling capacity, which may cause frequent cooler on/off cycling, it is recommended to set Control Mode to "Return Air." Otherwise, set Control Mode to "Supply Air."

5 Operation

Control Mode

There are two main control methods of the unit: supply air temperature control and return air temperature control. The application scenarios are as follows: supply air temperature control is used when the cabinet load is small. For example, when the operating load is 10% to 40% of the cabinet load, supply air temperature control is recommended. When more than 40% of the operating load, then we recommend the use of return air temperature control is better. Otherwise there will be a repeated unit start-stop situation.

Enable Maintenance	Allows the ability to engage Maintenance Mode from the homepage.	This allows Maintenance Mode to be engaged from the homepage without a password.
Temp Control Band	It is recommended to leave this at the default setting of 5.4°F (3.0°C), except for low-load situations. If the IT load is less than the cooler minimum capacity or if the IT load changes often, set a higher band to keep the rack temperature stable. A higher band can help reduce the number of compressor on/off cycles. For this, the recommended setting is 5.4°F to 10°F (3°C to 6°C). If the IT load is greater than the AC unit's minimum capacity or if the IT load is stable, consider setting the band to its default or lower to optimize temperature precision. Recommended setting: 3.6°F to 5.4°F (2° to 3°C).	
Upper Humid Control Band	The allowable range above the humidity setting. For example, a delta of 20% RH at a humidity setting of 50% RH would mean the dehumidification cycle would initiate when the humidity rises above 70% RH.	
Low Temp Alarm Band	If the discharge temperature falls below this value, an alarm is triggered.	If setting Control Mode to Return Air, you must adjust this setting to be based off of the return air temperature instead.
Maintenance Running Time	Maintenance Mode duration. If the user does not turn off Maintenance Mode from the home screen, the AC unit will automatically revert to normal operation after this time.	
Date and Time	Date: yyyy/mm/dd Time: 24-hour hh/mm/ss.	
Password	Allows user to change password.	

5.4 Maintenance Mode

From the home screen, click the Maintenance Mode on/off button. Maintenance Mode temporarily adjusts the cooling output to 100% to help exhaust heat quickly from the rack for greater comfort when servicing IT equipment. No password is required. The system returns to Auto Mode after 30 minutes. To prevent use of this feature, disable Maintenance Mode in the user settings.

5 Operation

5.5 Data Menu

The data menu enables users and technicians to monitor advanced parameters (read only).



Figure 5-4 Data menu

5.6 Graphs Menu

The graphs menu enables users or technicians to view historical trends of the following data points:

- Supply temperature
- Return temperature
- Humidity
- Low (suction) pressure
- High (discharge) pressure

5 Operation

5.7 Alarm Menu

Alarms generated will be logged to the alarm menu. They also display in a scrolling banner across the top of the home screen.

Resolved and/or cleared alarms will be cleared from the current alarm menu and logged into the alarm history (e.g., a high temperature was detected, but has since dissipated).

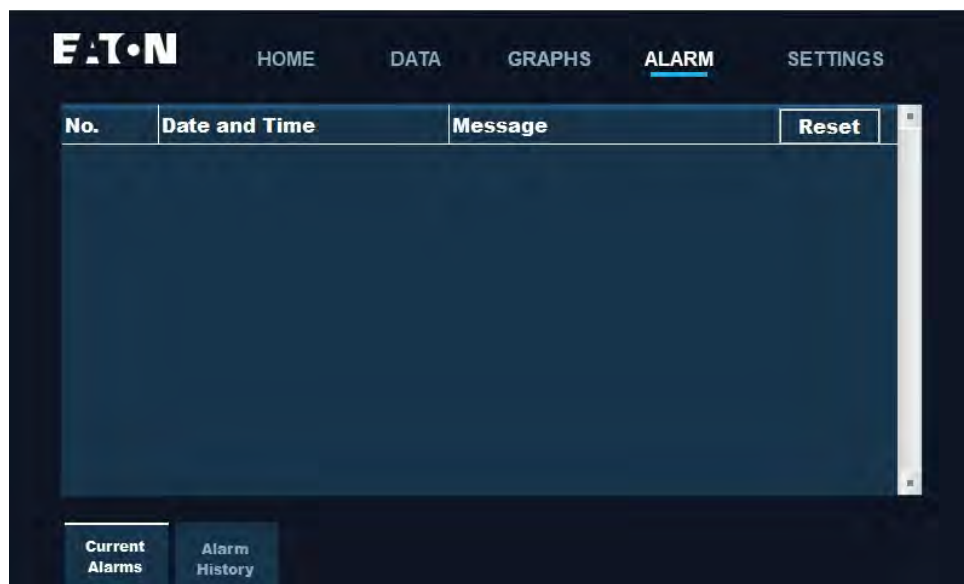


Figure 5-5 Alarm menu

5 Operation

Alarm Record Export

The alarm history can be exported to a comma-separated values (CSV) file using the USB-A port can be located on the rear panel of the display.

To export the alarm history to a USB drive:

1. Prepare the USB drive by formatting an empty USB drive.

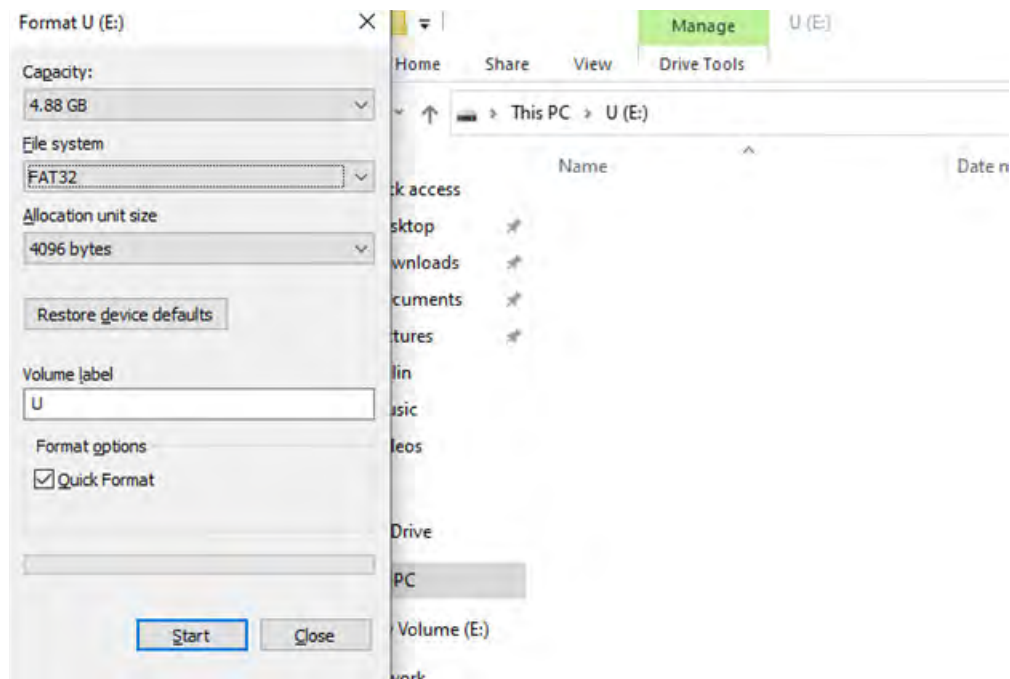


Figure 5-6 USB drive formatting

Note: The file system selects the default FAT32. If the USB disk is already the FAT32 file system it does not need to be formatted.

2. Insert the USB drive into the USB-A port on the rear of display

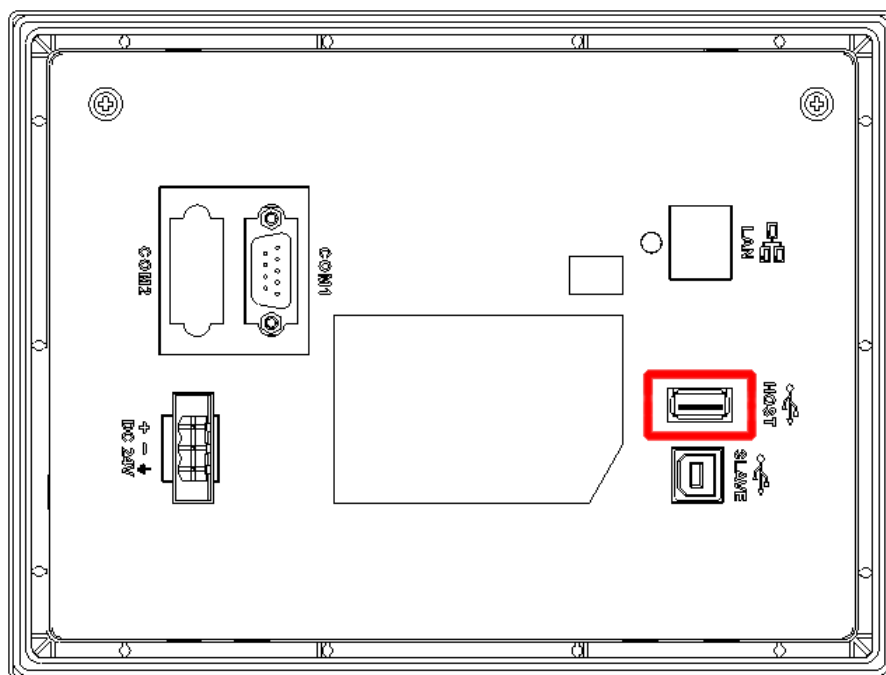


Figure 5-7 USB-A port location

5 Operation

3. Press the "ALARM" button on the display, then press the "Alarm History" tab.

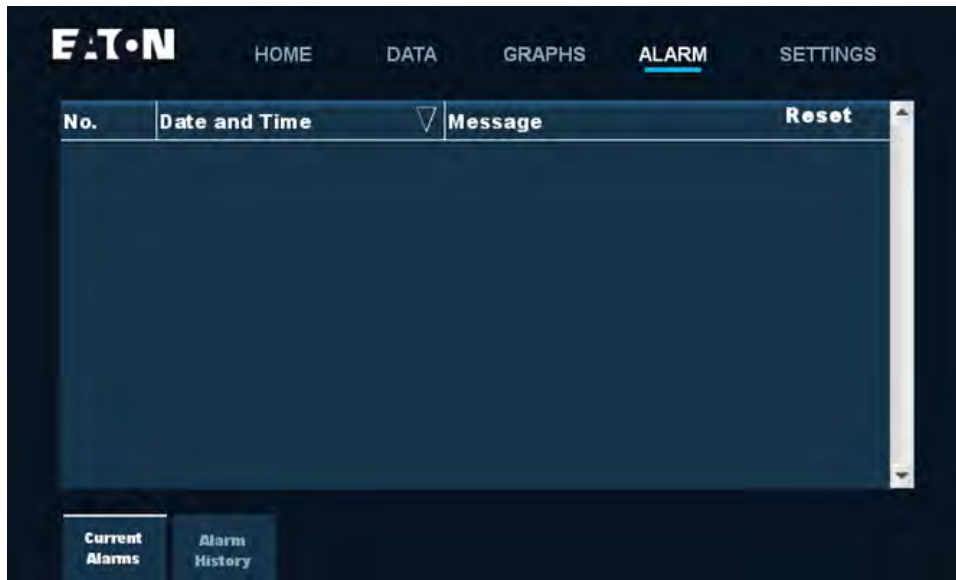


Figure 5-8 Alarm main menu

4. The alarm history will appear on the display. Press the "Export Alarms" button to export the alarm records to a CSV file on the USB drive.



Figure 5-9 Export alarms

5. Once the export is complete, remove the USB-A drive from the rear panel and insert the USB drive into a computer.

5 Operation

- Open the USB drive on your computer. A file “USB Drive→HMI→HMI-000→@HMI00000→Alarm→CSV” should be listed.

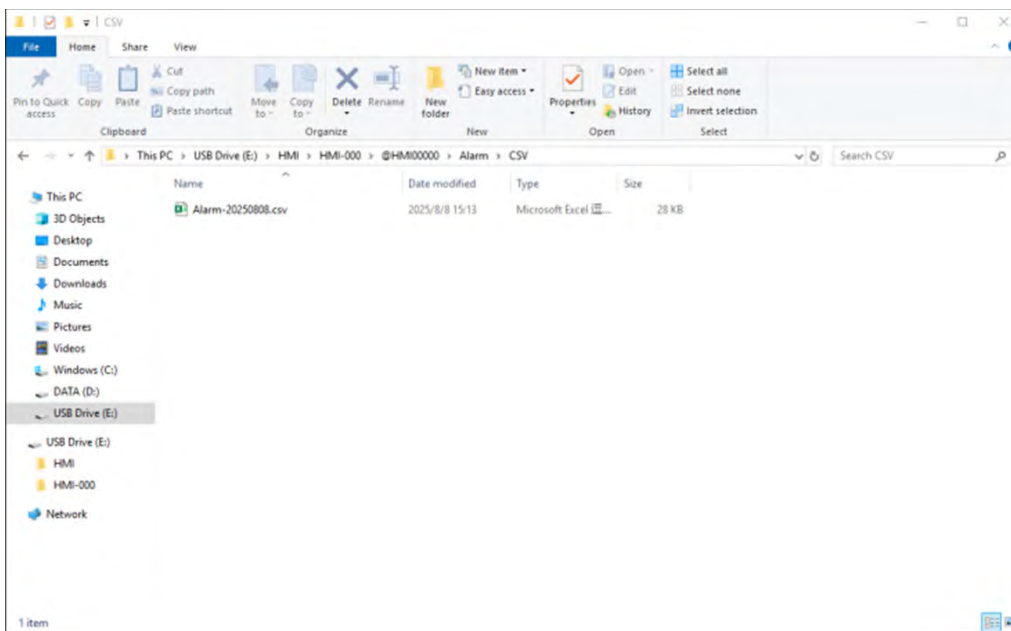


Figure 5-10 USB drive file listing

- Open the “alarm-*****.csv” file with Excel to view the exported alarm records.

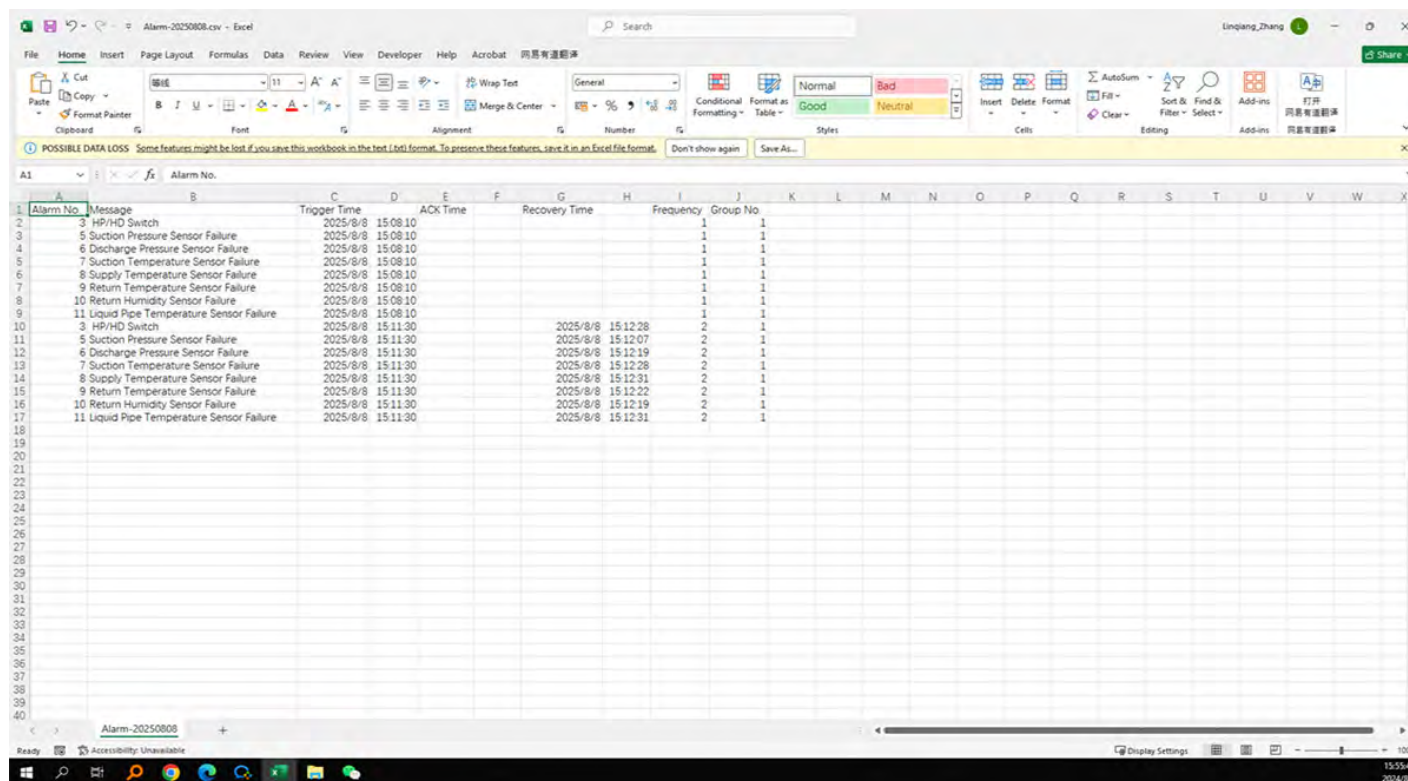


Figure 5-11 CSV alarm records export

5 Operation

5.8 Factory Reset

An option to reset the cooling system to factory settings can be found in the Settings menu.



Figure 5-12 Factory reset

6 Maintenance

6.1 Condenser Filter Replacement

The condenser filter installation is shown in the diagram below.

Open the front door of the cabinet. Remove the plastic covers **1** M4x12 screws **2** and M4x25 screws **3** on the front of the air conditioner. Pull out the filter assembly by hand **6**, then remove the M4x12 countersunk screws to detach from the filter screen support **5**. Clean the existing filter or replace with a new filter. Perform this procedure in reverse to attach and secure the filter to the front of the air conditioner.

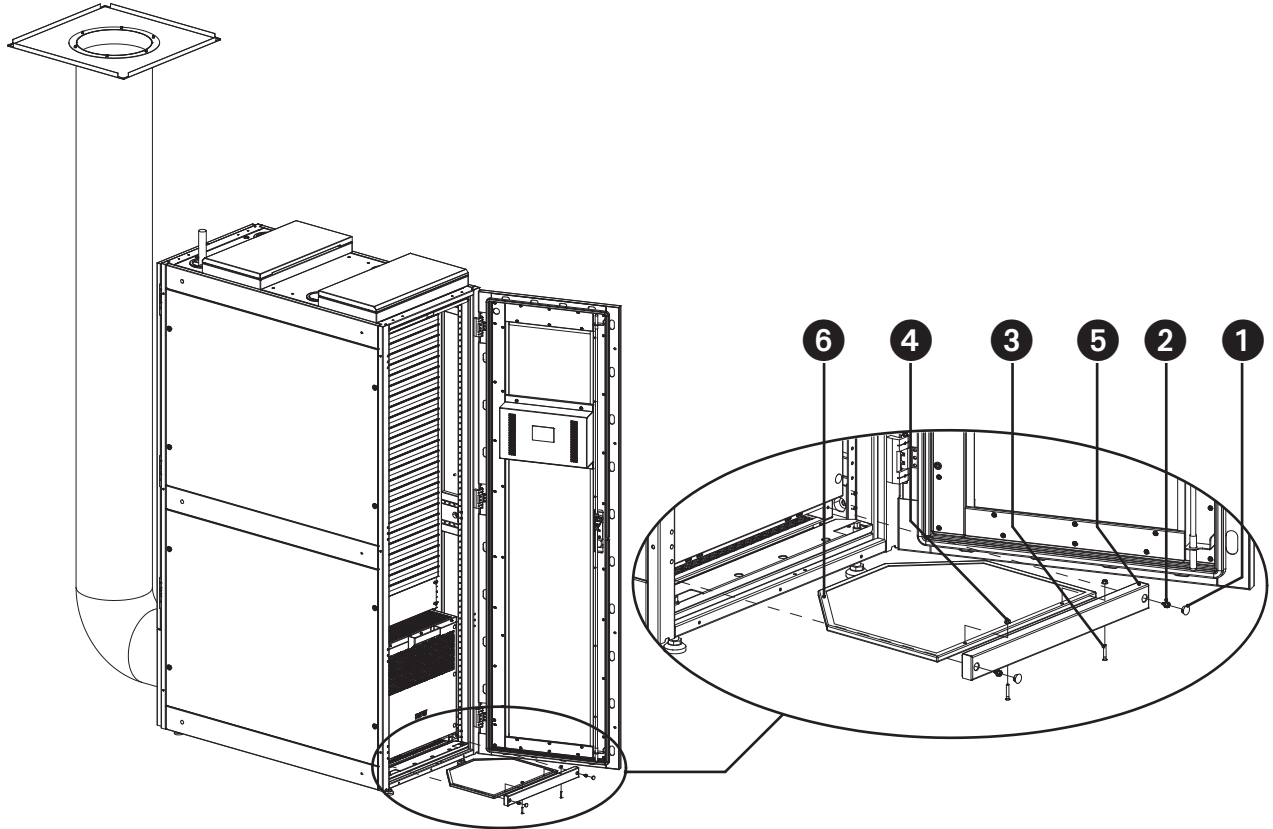


Figure 6-1 Condenser filter replacement

- 1** Plastic Cover
- 2** M4x12 Screw
- 3** M4x25 Screw
- 4** M4 Nut
- 5** Filter Screen Support
- 6** Filter Screen

6 Maintenance

6.2 Evaporator Filter Replacement

The evaporator filter installation location is shown in the diagram below.

Open the rear door of the cabinet. remove the plastic covers **1** **3**, followed by the removal of two M4x12 screws. Then pull out the filter bracket. From the bottom of the filter, remove the M4x20 countersunk head screws and two M4 flange nuts, Replace with the new filter, then reattach the screws removed. Perform this procedure in reverse to attach and secure the filter to the front of the air conditioner.

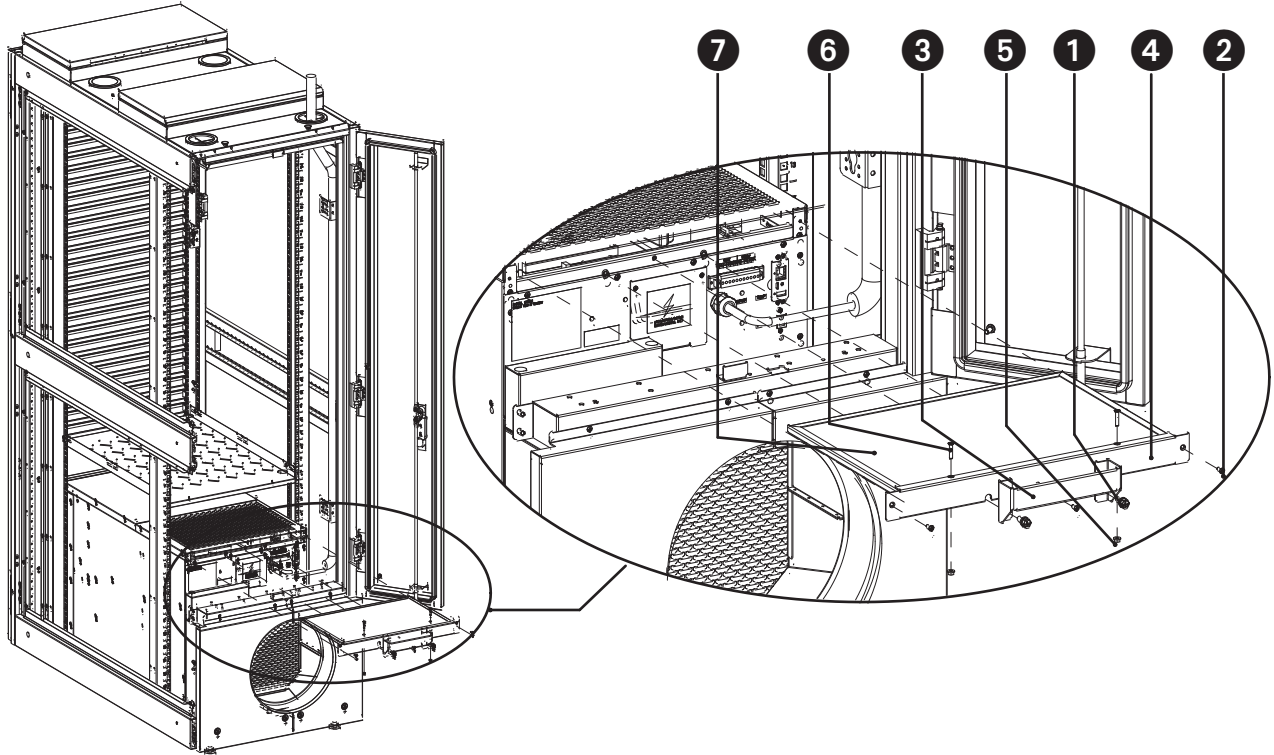


Figure 6-2 Evaporator filter replacement

7 Troubleshooting

7.1 Possible Problems and Solutions

Error Message	Cause	Possible Solutions
Condensate Leakage	Condensate drainpipes are not properly installed—excessive condensation	Adjust the position of the drain pipe or adopting gravity drainage

7.2 Alarms and Solutions

Alarms	Cause	Possible solutions
Low Temperature Alarm	Check low temperature alarm band setting	Adjust setting to match operating environment
High Pressure Alarm	The condenser or evaporator is blocked or the refrigerant is insufficient	Check whether there is a problem with the two devices or the refrigerant is replaced
Low Humidity Alarm	The return air humidity is lower than the set humidity-low humidity alarm threshold	Adjust setting to match operating environment


8 Warranty

For warranty details, click on the following link: <https://tripplite.eaton.com/warranty/srcool5kwrm42u>

Regulatory Compliance Identification Numbers

For the purpose of regulatory compliance certifications and identification, your product has been assigned a unique series number. The series number can be found on the product nameplate label, along with all required approval markings and information. When requesting compliance information for this product, always refer to the series number. The series number should not be confused with the marking name or model number of the product.

WEEE Compliance Information for Customers and Recyclers (European Union)

 Under the Waste Electrical and Electronic Equipment (WEEE) Directive and implementing regulations, when customers buy new electrical and electronic equipment from Eaton, they are entitled to:

- Send old equipment for recycling on a one-for-one, like-for-like basis (this varies depending on the country)
- Send the new equipment back for recycling when this ultimately becomes waste

Eaton has a policy of continuous improvement. Specifications are subject to change without notice.



Powering Business Worldwide

Eaton
1000 Eaton Boulevard
Cleveland, OH 44122
United States
Eaton.com

© 2024 Eaton
All Rights Reserved
Publication No. 24-10-038 / 93474E_RevC
October 2024

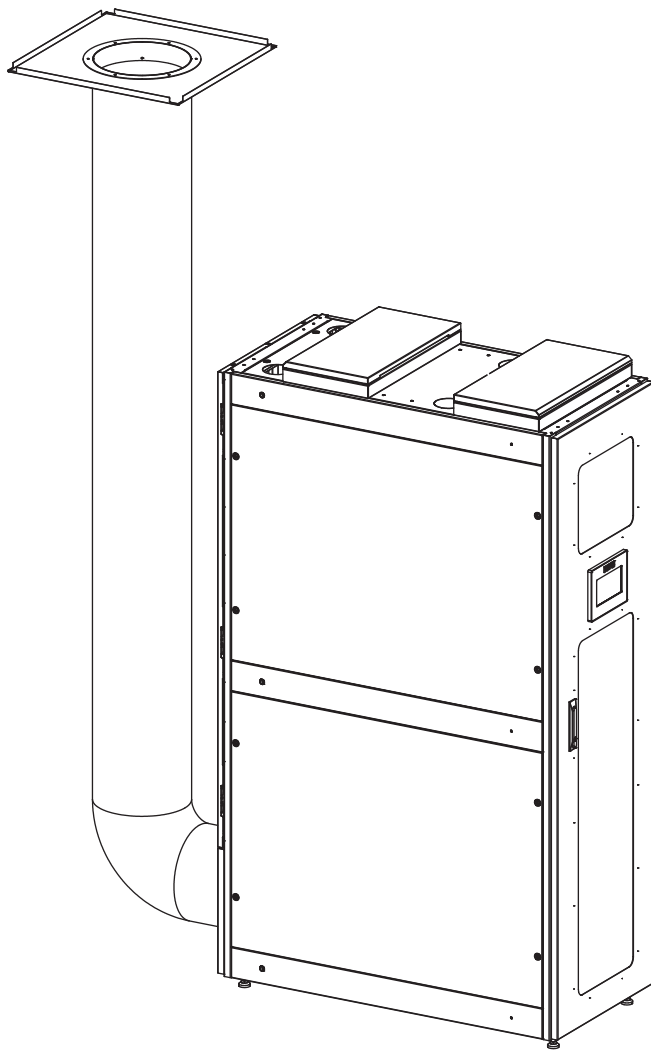
Eaton is a registered trademark.

All trademarks are property
of their respective owners.

Manual del Propietario

Sistema de Enfriamiento de Precisión para Instalación en Rack SmartRack® de 5.5 kW

Modelo:
SRCOOL5KWRM42U



El producto comprado puede ser distinto al de la imagen.

English 1
Français 71

EATON
Powering Business Worldwide

Índice

1 Información de Seguridad Importante	38	5 Operación	57
1.1 Información sobre Manipulación	39	5.1 Puesta en Marcha	57
2 Introducción	40	5.2 Página de Inicio	58
3 Información General	41	5.3 Configuración	59
3.1 Características Externas	41	5.4 Modo de Mantenimiento	60
3.2 Características Físicas	42	5.5 Menú de Datos	61
3.3 Entorno	43	5.6 Menú de Gráficos	61
3.4 Desempaque	44	5.7 Menú de Alarma	62
4 Instalación	45	5.8 Restablecimiento de Fábrica	62
4.1 Instalación del Dispositivo	45	6 Mantenimiento	67
4.2 Conexiones Eléctricas	48	6.1 Reemplazo del Filtro del Condensador	67
4.3 Instalación de Ductos de Aire Caliente	49	6.2 Reemplazo del Filtro del Evaporador	68
4.4 Eliminación de Condensados	50	7 Resolución de Problemas	69
4.5 Comunicación	55	7.1 Posibles Problemas y Soluciones	69
4.6 Conjunto de Ventilación de Emergencia	56	7.2 Alarmas y Soluciones	69
		8 Garantía	70

1 Información de Seguridad Importante

CONSERVE ESTAS INSTRUCCIONES

Antes de la instalación, operación, mantenimiento o servicio de este equipo, lea cuidadosamente este manual. Tenga en cuenta los siguientes símbolos que pueden aparecer para advertir sobre posibles peligros o atención.

Solo deben usar este aparato aquellas personas que estén debidamente capacitadas o calificadas para hacerlo. Cualquier persona que no esté capacitada o calificada no debe usar este dispositivo a menos que esté bajo la supervisión de alguien debidamente capacitado o calificado para hacerlo. Los niños deben ser supervisados para procurar que no jueguen con el aparato. Este aparato se clasifica como APARATO NO ACCESIBLE PARA EL PÚBLICO GENERAL. Si el cable de alimentación está dañado, debe ser reemplazado por el fabricante, su agente de servicio o personal con calificación similar a fin de evitar un riesgo. El aparato debe instalarse de acuerdo con los reglamentos nacionales de cableado GWP para R410A (R32/125: 50/50): 2087.5. De conformidad con la norma nacional, se incorporará al cableado fijo un dispositivo de desconexión de todos los polos que tenga una distancia de separación de al menos 3 mm en todos los polos y un dispositivo de corriente residual [RCD] con una especificación superior a 10 mA.

Explicación de los Símbolos

Los siguientes símbolos ilustran mensajes para advertir sobre el peligro potencial y la necesidad de precaución y atención.



Este símbolo indica que, al no cumplir con las instrucciones, habrá un riesgo de descarga eléctrica que resultará en lesiones, como se señala en las etiquetas de seguridad de "PELIGRO" o "ADVERTENCIA".



Este es un símbolo de alerta de seguridad usado para advertir sobre posibles riesgos de lesiones personales. Siga toda la información de seguridad para evitar la ocurrencia de lesiones personales o la muerte.



PELIGRO

PELIGRO indica una situación de riesgo inminente que, de no evitarse, causará lesiones graves o fatales.



ADVERTENCIA

ADVERTENCIA indica una situación potencialmente peligrosa que, si no se evita, puede causar lesiones graves o fatales.



PRECAUCIÓN

PRECAUCIÓN indica una situación potencialmente peligrosa que, si no se evita, puede resultar en lesiones menores o moderadas.

AVISO

AVISO alude a prácticas no relacionadas con lesiones físicas, como ciertos riesgos ambientales, daño potencial o pérdida de datos.



PRECAUCIÓN

Alta presión de refrigerante y riesgo para el equipo

- Esta unidad opera a alta presión. Procure seguir las precauciones de seguridad adecuadas durante la operación o el mantenimiento de la unidad.
- El equipo debe cargarse solamente con R-410A.

Ignorar esta advertencia puede causar lesiones graves o daños al equipo.

1 Información de Seguridad Importante

1.1 Información sobre Manipulación

Antes de instalar, operar, dar mantenimiento o servicio al equipo, lea la información de manejo. Cumpla con las leyes y regulaciones locales al manipular el refrigerante.



PELIGRO

Peligro de descarga eléctrica, explosión o arco eléctrico

- Ocupe el equipo de protección personal [PPE] apropiado y emplee prácticas eléctricas seguras.
- Este equipo debe ser instalado y mantenido solamente por personal calificado.
- Cumpla con todas las normas de cableado y seguridad aplicables, nacionales y locales, en donde se vaya a instalar la unidad.
- Apague todo el suministro de energía que alimenta a este equipo antes de trabajar en él o dentro de él.
- Use siempre un dispositivo de detección de voltaje con la clasificación adecuada para confirmar que la energía está desconectada.
- Reemplace todos los dispositivos, puertas y tapas antes de conectar la energía este equipo.

Ignorar esta advertencia puede ocasionar lesiones graves o fatales.



ADVERTENCIA

Riesgo por piezas móviles

- Mantenga las manos, ropa y joyería lejos de las partes móviles. Revise el equipo para detectar objetos extraños antes de cerrar las puertas y poner en marcha el equipo.

El incumplimiento de esta advertencia puede ocasionar lesiones graves o fatales.



PRECAUCIÓN

Riesgo para el equipo o el personal

- Todo el trabajo debe ser realizado exclusivamente por personal calificado.

Ignorar esta advertencia puede ocasionar lesiones graves o fatales.



ADVERTENCIA

Riesgo de caída del equipo

- Asegúrese de que no haya piezas de repuesto o herramientas en el equipo antes de manipularlo.

Ignorar esta advertencia puede causar lesiones graves o daños al equipo.



PRECAUCIÓN

Riesgo para el equipo o el personal

- Asegúrese de que no haya piezas de repuesto o herramientas en el equipo antes de manipularlo.

Ignorar esta advertencia puede causar lesiones graves o daños al equipo.

2 Introducción

El sistema de refrigeración de precisión SRCOOL5KWRM42U SmartRack de 5.5 kW para montaje en rack consta de tres componentes principales: componentes de ventilación de emergencia, armarios y unidad de aire acondicionado SRCOOL5KWRM. Se trata de un sistema de enfriamiento de un solo rack con una unidad de refrigeración autónoma que no requiere tuberías de refrigerante de interior a exterior, y cuya unidad de refrigeración está precargada con refrigerante. La unidad de enfriamiento específica y el rack personalizado con aislamiento interno ofrecen un sistema optimizado para la gestión térmica de los equipos críticos en la sala de servidores y la instalación de computadoras periféricas dentro de una empresa o en instalaciones remotas.

Gabinete

El gabinete utilizado con el sistema SRCOOL5KWRM42U es un gabinete estándar de 482 mm [19 pulgadas] con unas dimensiones de anchura x profundidad x altura de 600 x 1200 x 2068 mm [23.6 x 47.3 x 81.4 pulgadas]. El gabinete proporciona 27U de espacio útil para el montaje en rack de equipos informáticos con entrada de cables superior e inferior. Está diseñado para la instalación, gestión y protección de equipos de red, servidores, dispositivos de almacenamiento y otros equipos críticos. Construido con planchas de acero, el gabinete ofrece la resistencia y estabilidad necesarias.

Aire Acondicionado

El sistema de aire acondicionado tiene una capacidad de enfriamiento de 5.5 kW (18766 BTU/h), y está instalado en la parte inferior.

El SRCOOL5KWRM es un sistema de enfriamiento de precisión por aire DX independiente instalado en la parte inferior. Su diseño integrado elimina la necesidad de tuberías entre las unidades interior y exterior, así como cualquier infraestructura especial de enfriamiento. Por lo tanto, la unidad de aire acondicionado puede funcionar de forma independiente y segura dentro del gabinete para garantizar que los equipos se mantengan a una temperatura de funcionamiento adecuada.

Ventilación de Emergencia

La ventilación de emergencia es una medida adoptada para proteger los equipos del sobrecalentamiento o la sobrecarga durante acontecimientos repentinos o emergencias. Estos sucesos pueden incluir incendios, cortes de electricidad, averías en los equipos, etc., que provocan un aumento de la temperatura en el interior del gabinete y la incapacidad de los equipos para funcionar con normalidad. El objetivo principal es mantener la estabilidad y la confiabilidad del funcionamiento de los equipos durante las emergencias. Al eliminar rápidamente el calor, se reduce el riesgo de sobrecalentamiento del equipo, lo que minimiza la posibilidad de daños en el mismo.

Notas:

- *Estos son dispositivos únicamente de enfriamiento, sin capacidad para calentar.*
- *La unidad de aire acondicionado requiere 3U por encima de la unidad de enfriamiento para liberación adecuada de aire, lo que deja 27U para equipos informáticos instalados en rack.*
- *El sistema no está diseñado para entornos descuidados o sucios.*
- *Para obtener el máximo rendimiento de refrigeración, procure que todos los espacios vacíos del rack tengan paneles obturadores instalados.*

3 Información General

3.1 Características Externas

- ① Conjunto de Ventilación de Emergencia
- ② Puerta Principal
- ③ Pantalla
- ④ Panel Lateral
- ⑤ Puerta Trasera
- ⑥ Etiqueta de Identificación
- ⑦ Evaporador
- ⑧ Ventilador del Evaporador
- ⑨ Ventilador del Condensador
- ⑩ Condensador
- ⑪ Panel Obturador de 1U

Nota: Los paneles obturadores de 1U maximizan el rendimiento concentrando el aire frío cerca de los equipos informáticos instalados. No retire los paneles obturadores a menos que tenga previsto instalar equipos informáticos adicionales.

- ⑫ Base de apoyo

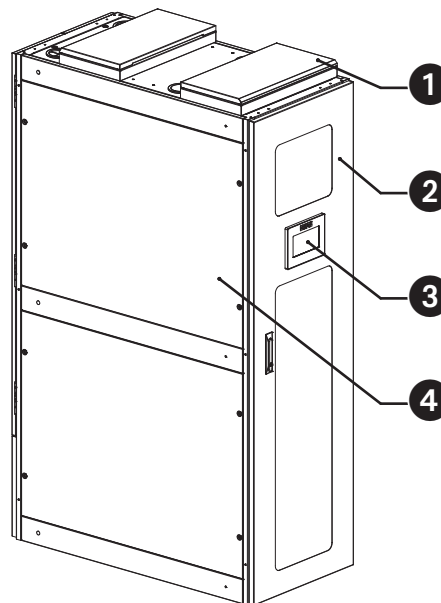


Figura 3-1 Aspecto del gabinete

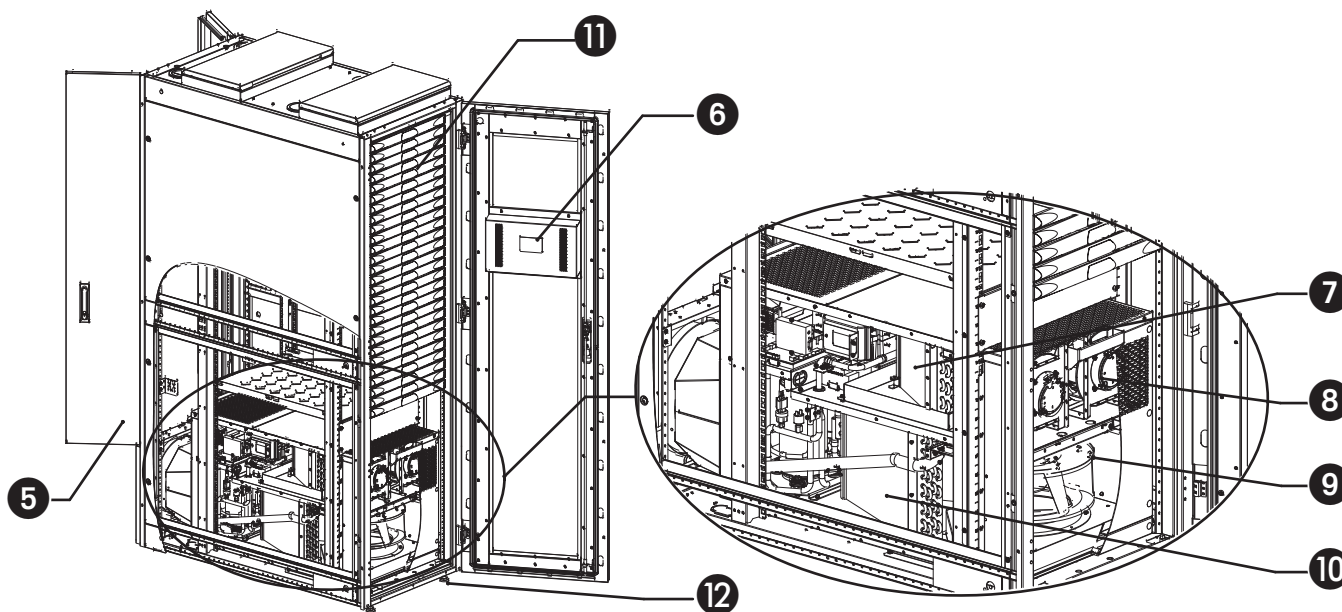


Figura 3-2 Vista del gabinete y la sección del aire acondicionado

3 Información General

3.2 Características Físicas

Peso neto—lb (kg)	589.74 (267.5)
Peso de envío—lb (kg)	612.74 (278)

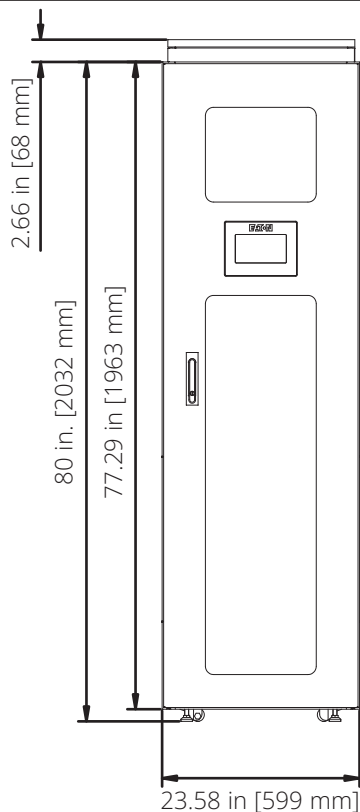


Figura 3-3 Vista frontal

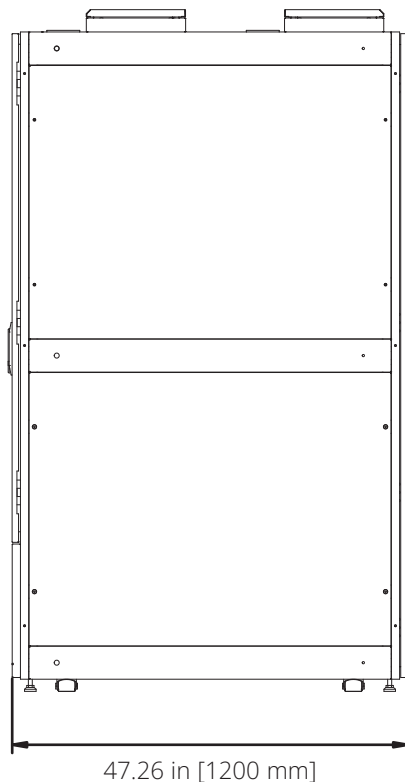


Figura 3-4 Vista lateral

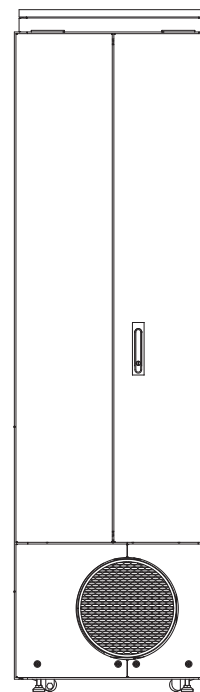


Figura 3-5 Vista posterior

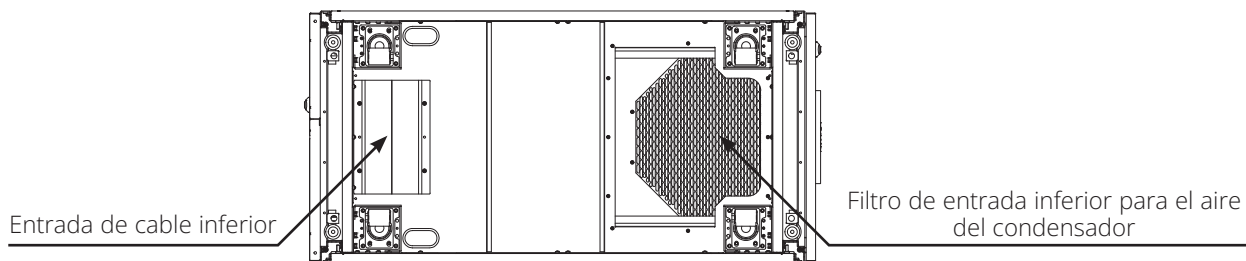
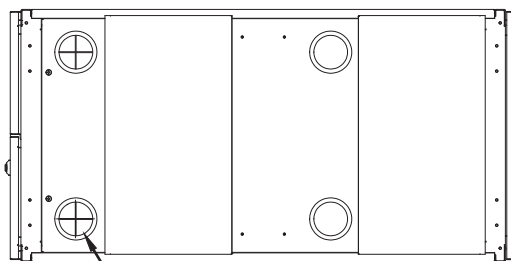


Figura 3-6 Vista Inferior



Ø3.15 in. [Ø80 mm]
Entrada de cables superior

Figura 3-7 Vista superior

Nota: Este orificio puede utilizarse para la evacuación vertical de agua condensada por bombeo.

3 Información General

3.3 Entorno

Condiciones Especificadas para el Rendimiento

- Dentro del rack: 64.0 ~ 98.6 °F (17.7 ~ 37 °C), 20% ~ 80%.
- Fuera del rack: 55.4 ~ 95 °F (13 ~ 35 °C)*

* El rendimiento de refrigeración se reducirá si la temperatura exterior del rack alcanza 95 ~ 113 °F (35 ~ 45 °C). Si la temperatura exterior del rack es superior a 113 °F (45 °C), el sistema entrará en modo de protección (pausa).

- 1 Salida de Aire del Evaporador
- 2 Entrada de Aire del Evaporador
- 3 Salida de Aire del Condensador
- 4 Entrada de Aire del Condensador (Abertura Situada en la Parte Inferior de la Unidad de Refrigeración y del Rack)
- 5 Interfaz del Conducto de Evacuación de Aire Caliente

El aire a temperatura ambiente entra por la parte frontal inferior del rack y fluye a través del condensador trasero. Este aire elimina el calor del refrigerante y lo empuja a través de la parte trasera del rack y hacia el conducto de aire caliente.

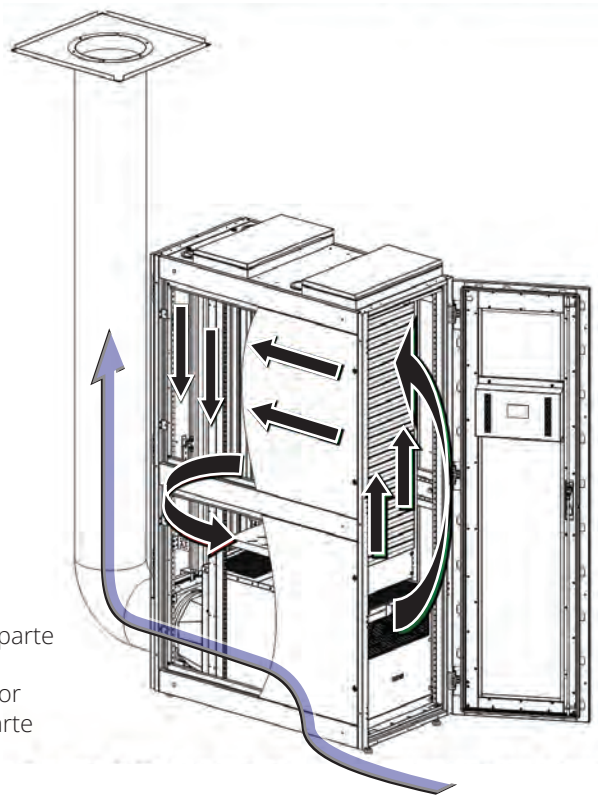


Figura 3-8 Diagrama de la organización del flujo de aire del gabinete

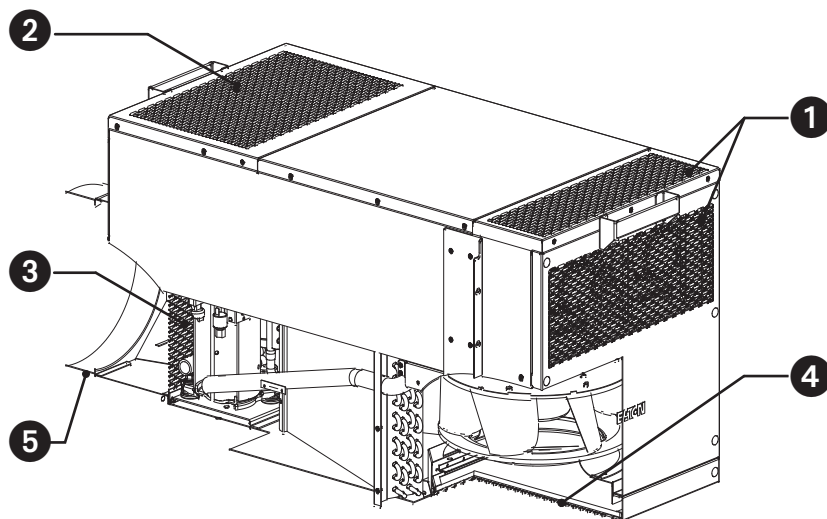


Figura 3-9 Introducción de la tubería de suministro/retorno del aire acondicionado

3 Información General

3.4 Desempaque

Tenga cuidado al desempacar la unidad. La unidad debe colocarse en su tarima tan cerca como sea posible de la ubicación de instalación final, a fin de reducir la necesidad de mover dicha unidad en un momento posterior.

Para conocer el procedimiento detallado de desempaque, consulte el procedimiento mostrado en la imagen de esta sección.

Secuencia de empaque: ①, ②, ③, ④, ⑤, ⑥, ⑦

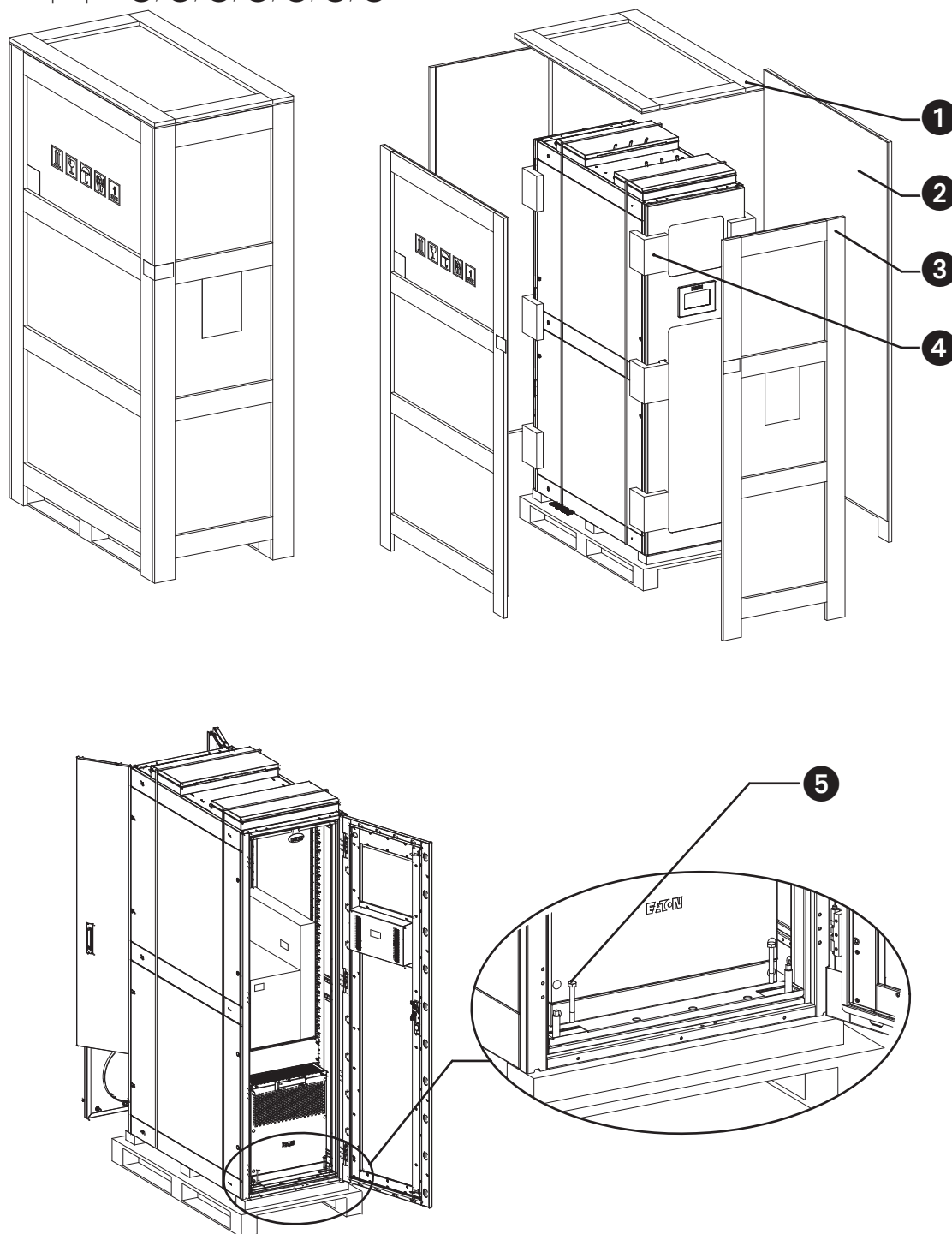


Figura 3-10 Diagrama de desarmado 1

3 Información General

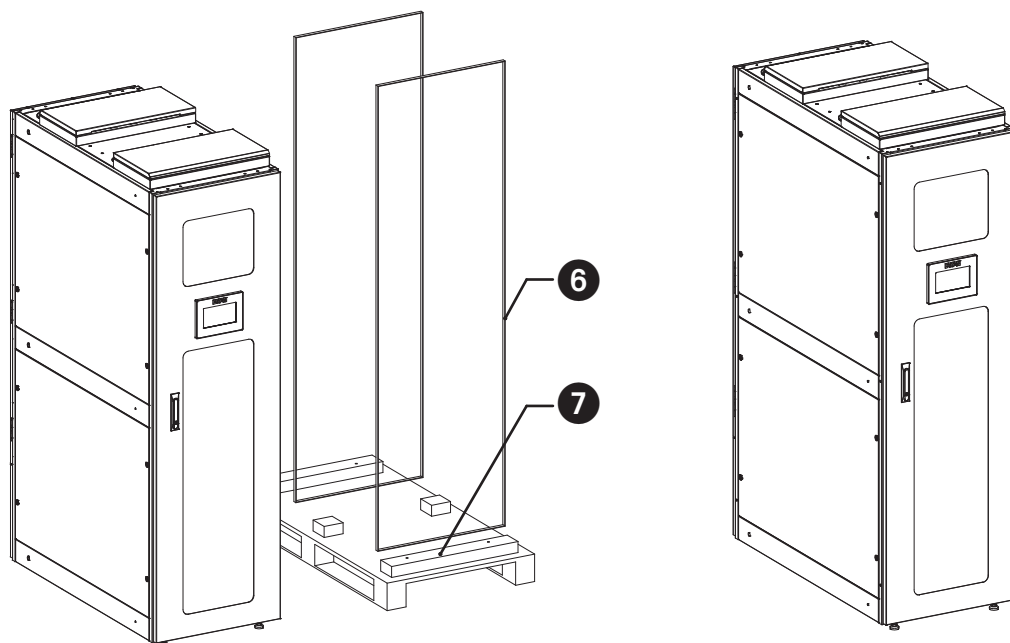


Figura 3-11 Diagrama de desmontaje 2

- ❶ Placa Superior—1 pieza.
- ❷ Placa Frontal—2 piezas.
- ❸ Placa Lateral—2 piezas.
- ❹ Algodón de Amortiguación—12 piezas.
- ❺ Tornillos, M8x65—4 piezas.
- ❻ Cinta de Embalaje—2 piezas.
- ❼ Placa Base—1 pieza.

4 Instalación

4.1 Instalación del Dispositivo

Cuando traslade la unidad SRCOOL5KWRM42U a su destino, utilice una herramienta para ajustar las cuatro patas de apoyo en la base del gabinete. Gire las patas niveladoras en el sentido de las manecillas del reloj para elevar el gabinete y en sentido contrario a las manecillas del reloj para bajar el gabinete. La distancia entre el fondo del gabinete y el suelo debe tener una separación mínima de 70 mm [2.76 pulgadas] o superior. Sin embargo, las patas niveladoras pueden ajustarse si es necesario para crear una estabilización adicional para el rack.

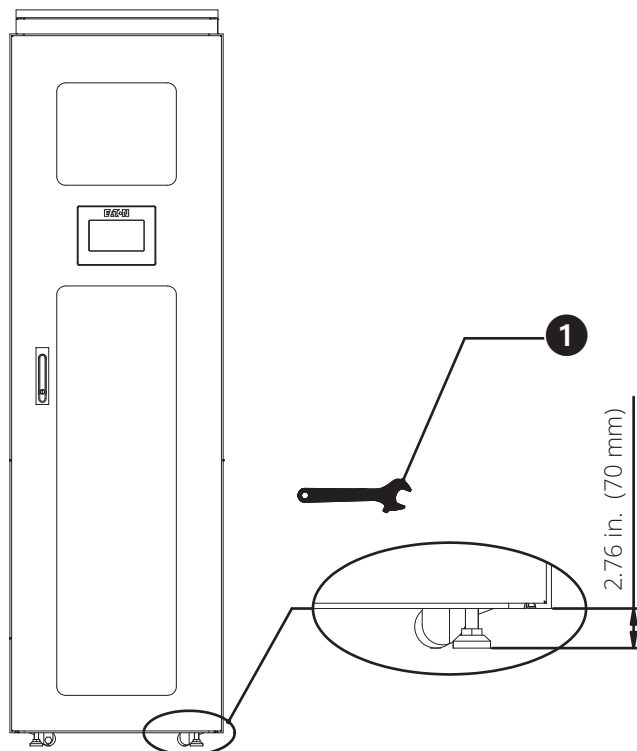


Figura 4-1 Ajuste de la zapata de apoyo

- 1 Utilice una llave inglesa o ajustable para ajustar la base.

Nota: Aquí se muestra una llave ajustable.

4.1.1 Installation Clearance

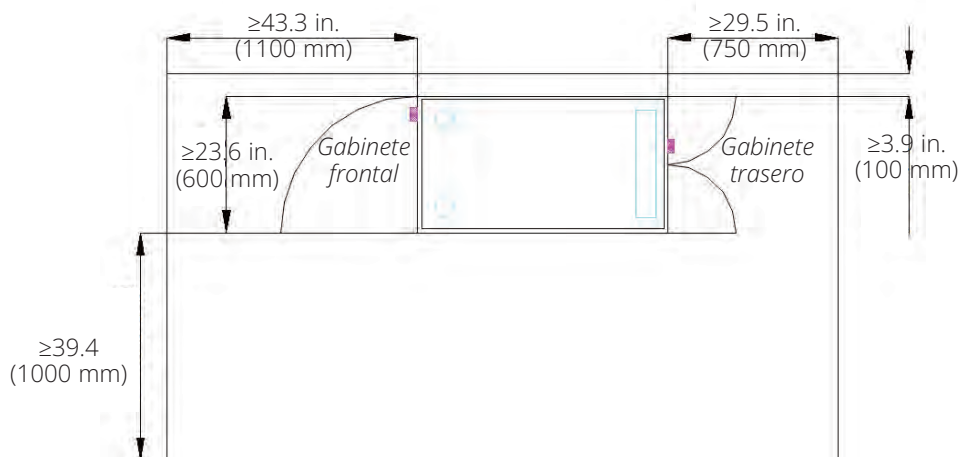


Figura 4-2 Vista superior

4 Instalación

4.1.2 Instalación de equipos de TI

El equipo debe instalarse de abajo hacia arriba, comenzando con la carga térmica de kW más alta en la parte inferior del rack encima del panel de relleno metálico 3U no extraíble. El equipo de TI con la segunda carga térmica más alta debería instalarse encima de este. Continúe este proceso con cada carga de calor menor subsiguiente instalada hacia la parte superior del rack.

Todos los espacios U abiertos restantes deben tener un panel de bloqueo instalado. No instalar los paneles obturadores puede provocar un funcionamiento incorrecto del sistema de refrigeración y puede activar las ventilaciones de emergencia en la parte superior del rack.

Si necesita tener un espacio U o varios espacios U entre el equipo de TI instalado, debe instalar uno o varios paneles obturadores en esos espacios.

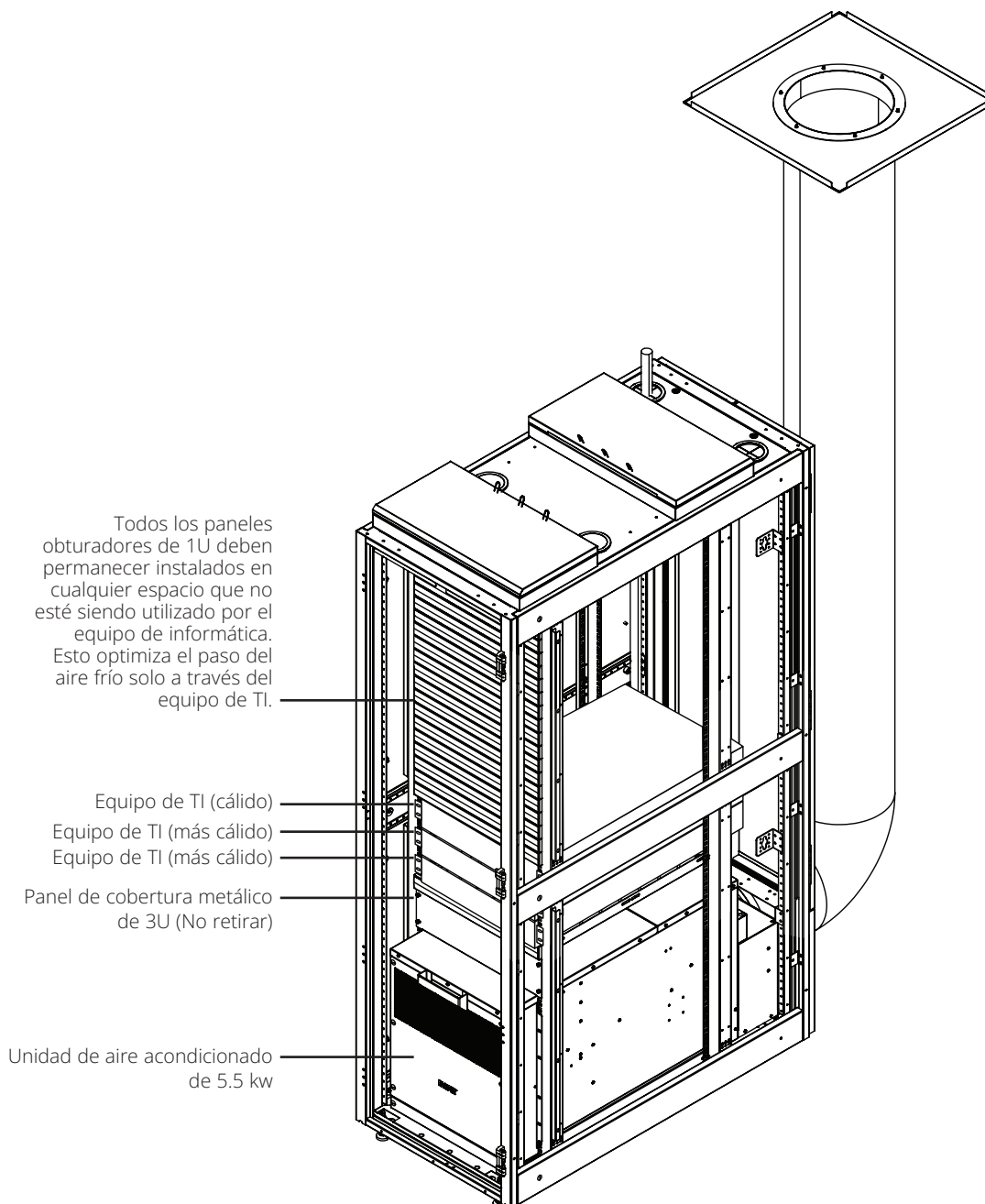


Figura 4-3 Instalación de equipos de TI y flujo de aire

4 Instalación

4.2 Conexiones Eléctricas

Nota: El cable de alimentación (opcional) se suministra con la unidad. No obstante, si el usuario opta por alimentar la unidad mediante instalación eléctrica permanente, deberá utilizar un cable de cobre sólido adecuado para 30A según el código eléctrico local.

- 1 Cable de Alimentación
- 2 Puerto de Entrada del Cable de Alimentación
- 3 Terminales de Conexión Eléctrica (Cubierta Retirada)
- 4 Puerto SNMP
- 5 Puerto RJ45 Tarjeta Web

Voltaje	208V
Fase	1Ph
Frecuencia	60 Hz
Corriente a plena carga (FLA)	18A
Capacidad Mínima en Amperios (MCA)	22A
Protección Máxima contra Sobrecorriente (MOP), Tamaño del Interruptor	30A

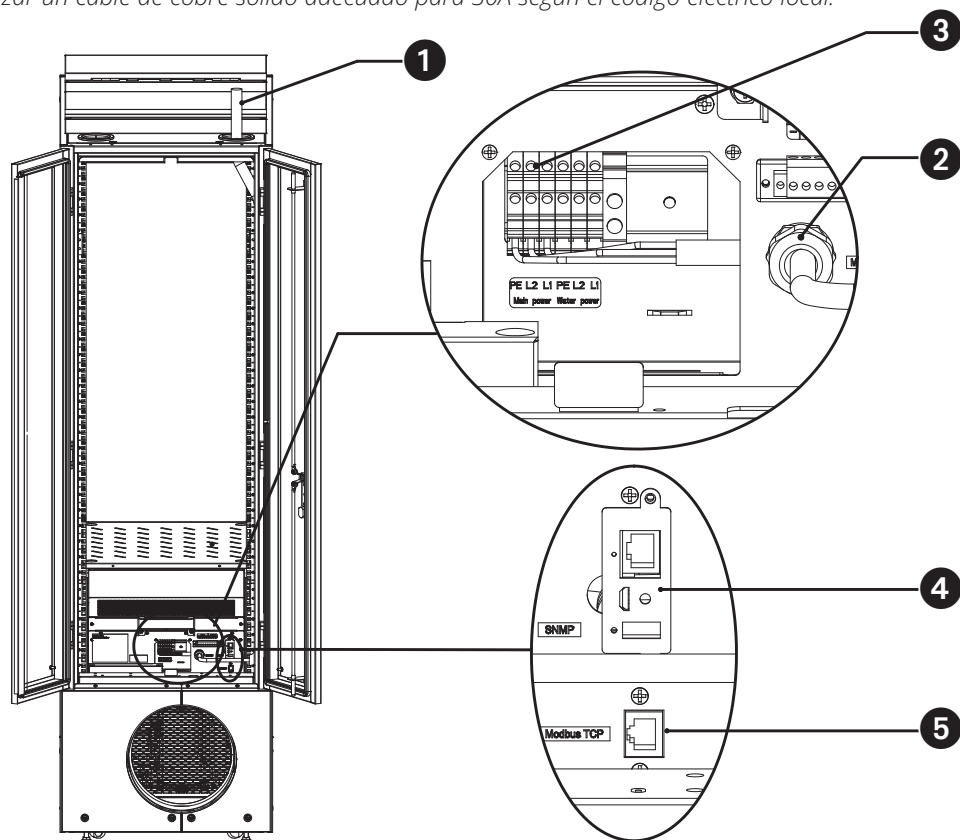
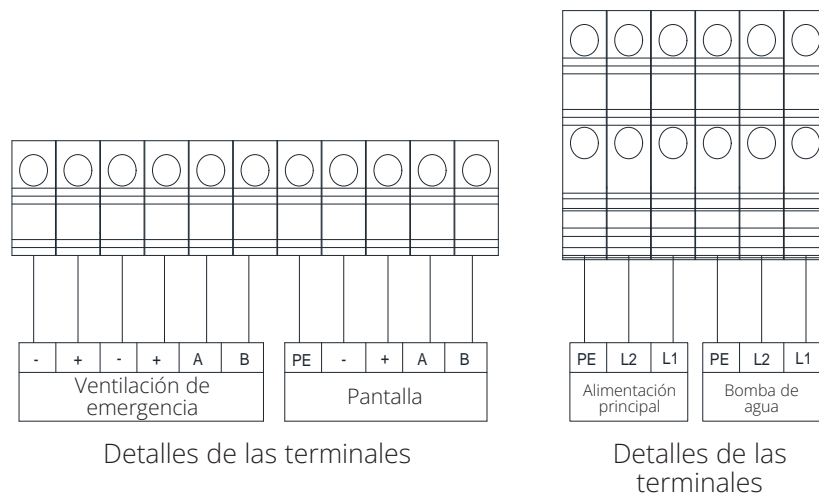


Figura 4-4 Conexiones eléctricas



Nota: Las Cubiertas de emergencia y la Pantalla ya están conectadas al bloque de terminales. El adaptador de pared para la ventilación de emergencia debe conectarse a los terminales "-" y "+" del lado izquierdo del bloque de terminales de la ventilación de emergencia.

Notas:
 La conexión a la red eléctrica requiere un profesional certificado.
 La bomba de agua ya está conectada a este bloque de terminales.

Figura 4-5 Diagramas de terminales

4 Instalación

4.3 Instalación de Ductos de Aire Caliente

Antes de instalar el ducto de escape, abra primero la puerta trasera del gabinete y retire la cubierta de mantenimiento **4** situada bajo la puerta trasera.

Fije la abrazadera en el ducto de escape **2** **3**, y luego fíjela a la interfaz del ducto de escape **5** en la parte inferior de la unidad. Ajuste el collarín del cuello a la parte inferior de la interfaz del ducto de escape aproximadamente 0.8 in (20 mm) y bloquee el collarín del cuello para asegurarlo.

En el otro extremo del ducto de escape en la placa del techo de la salida de aire, desplace el collarín del cuello hasta la parte inferior de la placa del techo de la salida de aire aproximadamente 0.8 in (20 mm) y bloquee el collarín del cuello para asegurarlo.

Por último, fije el adaptador de techo de la salida de aire **1** en el soporte del techo y vuelva a instalar la cubierta de mantenimiento en la parte posterior del gabinete para completar la instalación del ducto de aire caliente.

1 Adaptador de Techo de la Salida de Aire

2 Abrazadera (Fijar en Ambos Extremos del Conducto de Escape)

3 Conducto de evacuación de aire caliente [4,053 mm / 13.3 pies]

4 Cubierta de Mantenimiento

5 Interfaz del Ducto de Escape

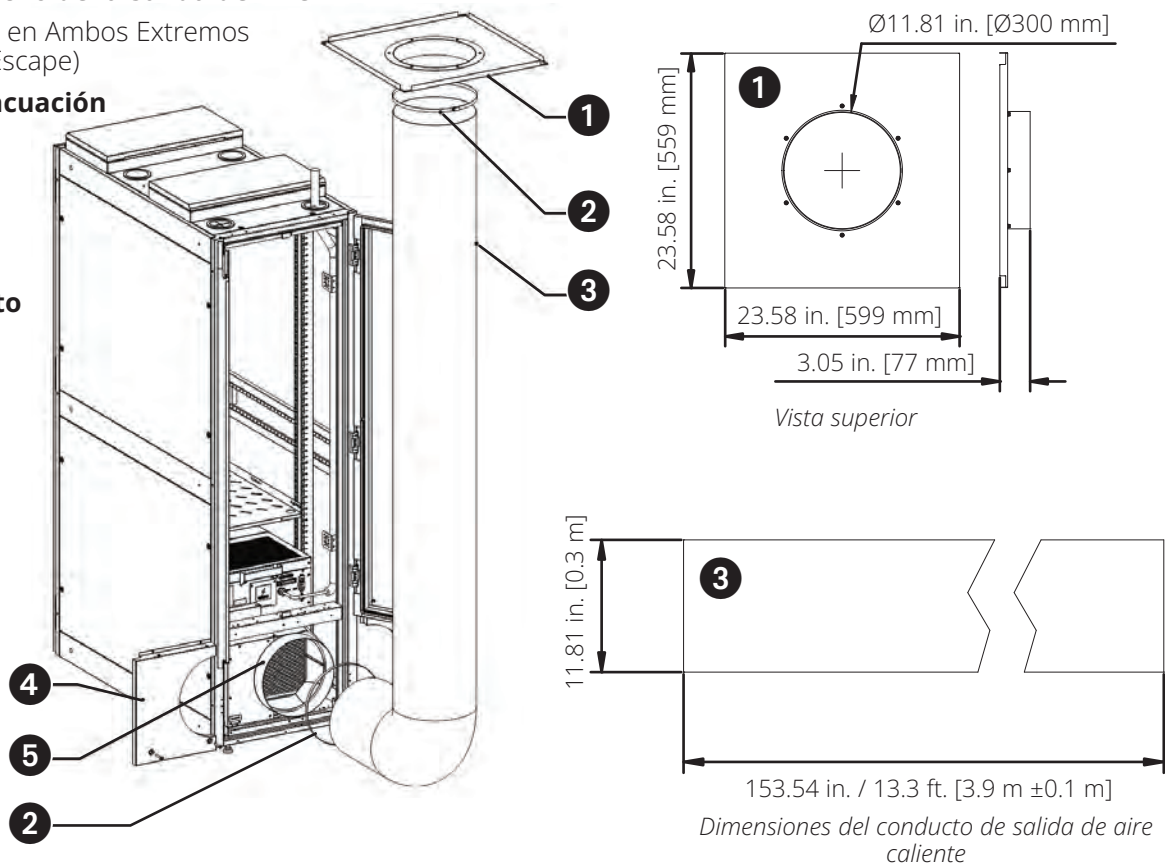


Figura 4-6 Montaje del ducto de escape

4 Instalación

4.4 Eliminación de Condensados

La unidad dispone de tres métodos de drenaje: agua por evaporación, drenaje por bomba y drenaje por gravedad. A continuación se describe detalladamente cada método de drenaje.

4.4.1 Introducción a las piezas de eliminación de condensado para el aire acondicionado

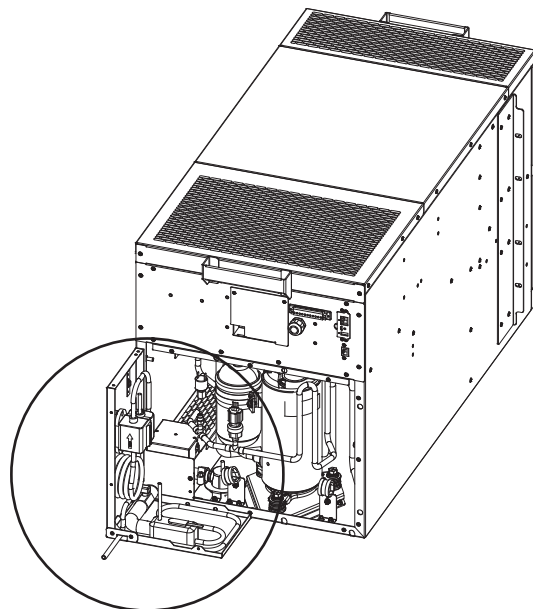


Figura 4-7 Conjunto de condensación

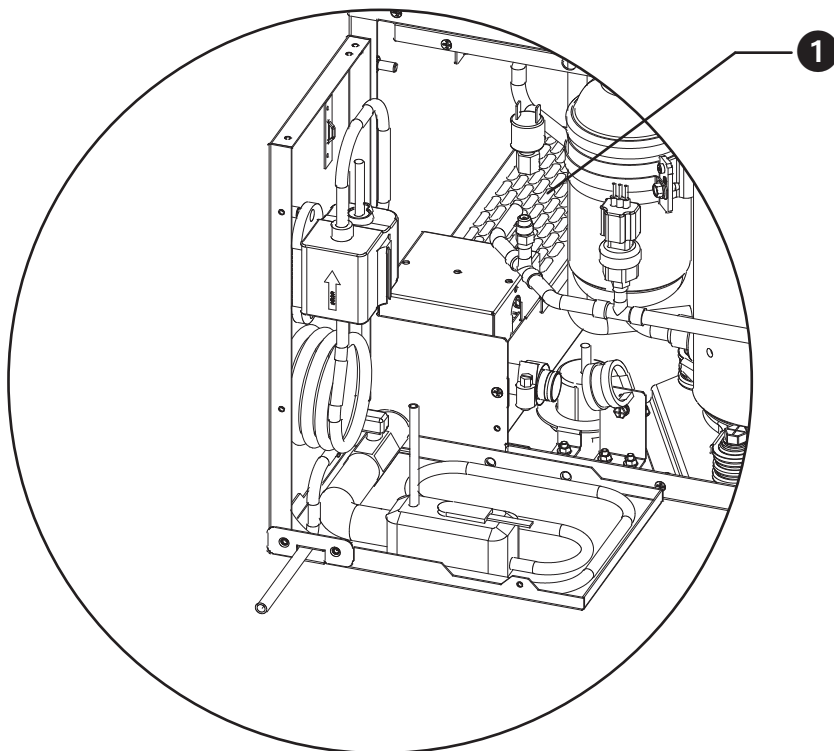


Figura 4-8 Bandeja de agua de evaporación y calentador

4 Instalación

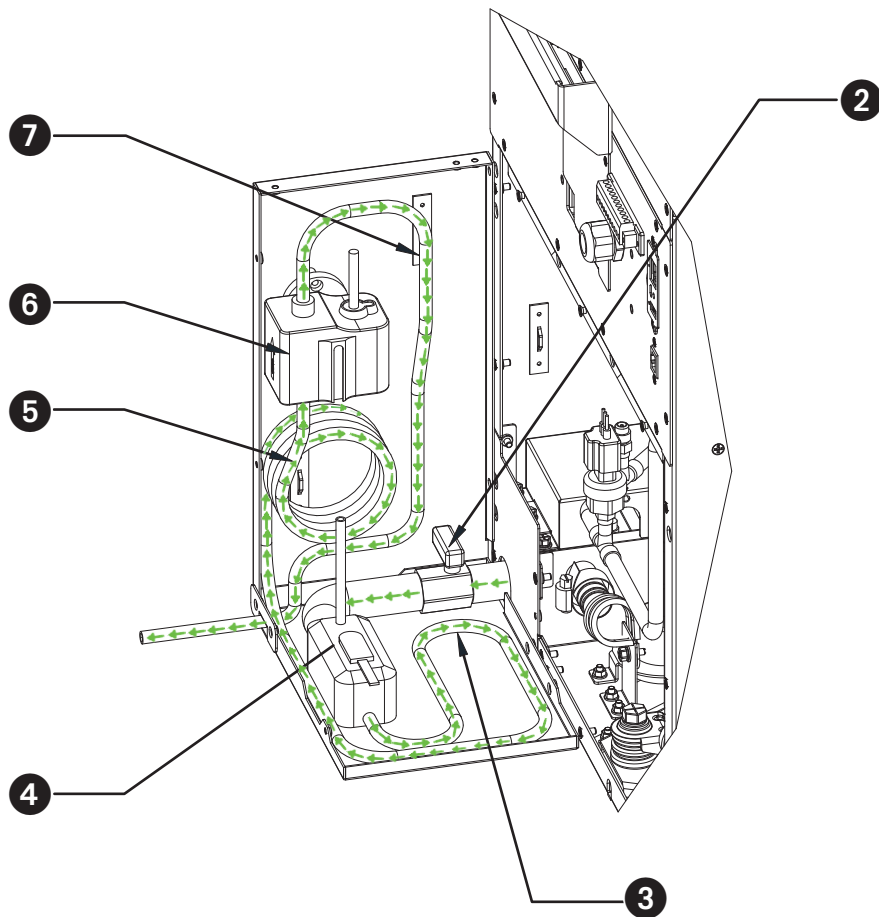


Figura 4-9 Introducción del flujo de agua y las piezas de montaje de la bomba

- ① Calentador de Agua para Evaporación
- ② Válvula de agua (Se muestra cerrada)
- ③ Tubo 1: Salida de la Caja de Agua /Entrada de la Bomba de Agua
- ④ Caja de Agua
- ⑤ Tubo 1: Salida de la Caja de Agua/Bomba de Agua
- ⑥ Bomba de Agua
- ⑦ Tubo 2: Salida de la Bomba de Agua/Salida de la Unidad

4 Instalación

4.4.2 Método de Evaporación del Agua (Predeterminado)

La unidad que ha recibido está predeterminada para este método de eliminación de agua y no es necesario realizar ningún cambio si desea utilizar este método. En este método de eliminación de agua por evaporación, la válvula de agua está cerrada y la bomba no funciona. El vapor de agua evaporado sale de la unidad de refrigeración a través de la interfaz del conducto circular trasero hacia el conducto de aire caliente.

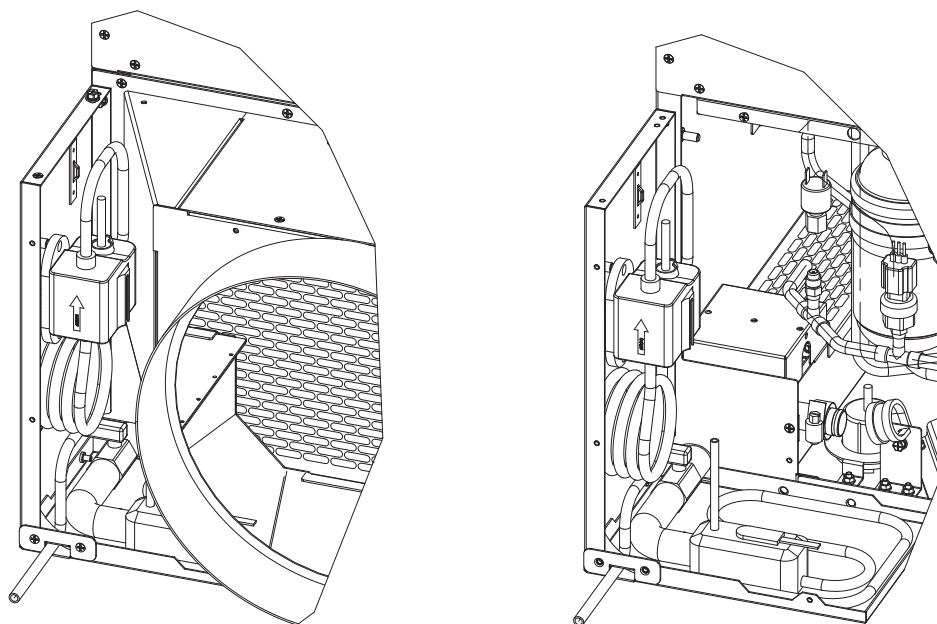


Figura 4-10 Drenaje de Evaporación

4.4.3 Método de Drenaje por Bombeo

El drenaje de la bomba puede dividirse en drenaje ascendente y drenaje descendente.

4 Instalación

4.4.3.1 Salida de la Bomba con Drenaje Ascendente

Para drenar el agua hacia arriba, conecte primero una manguera/tubo extendido a la salida del "Tubo 2" en dirección ascendente y fije la manguera/tubo extendido al marco vertical del gabinete utilizando amarres de cables. Una vez que la manguera/tubo extendido se haya colocado en su lugar definitivo, abra la "Válvula de agua" alineando la manilla en la misma dirección que el tubo al que está unida. Para más información sobre la ubicación del "Tubo 2" y la "Válvula de agua", consulte la figura 4-9.

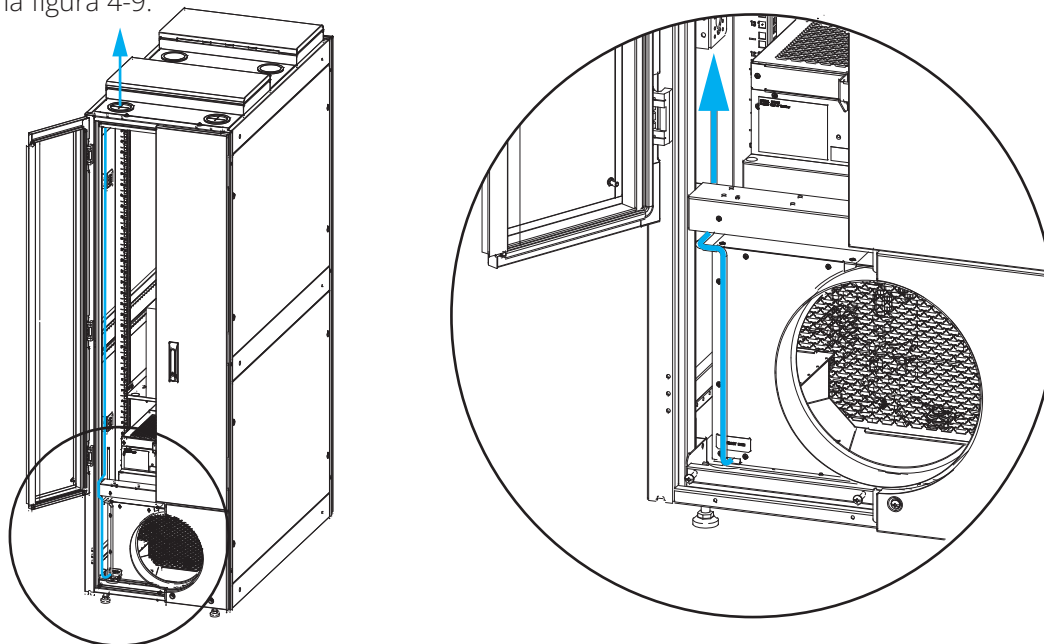


Figura 4-11 Drenaje de la bomba con drenaje ascendente

4.4.3.2 Salida de la Bomba con Drenaje Descendente

Si opta por el desagüe hacia abajo, primero dirija el tubo 2 a lo largo del travesaño inferior del marco de la puerta, extendiendo el tubo de agua a través del orificio $\Phi 14$ en el lado derecho del travesaño inferior para que drene. A continuación, abra la "Válvula de agua" alineando la manivela en la misma dirección que el tubo al que está unida. Para más información sobre la ubicación del "Tubo 2" y la "Válvula de agua", consulte la figura 4-9.

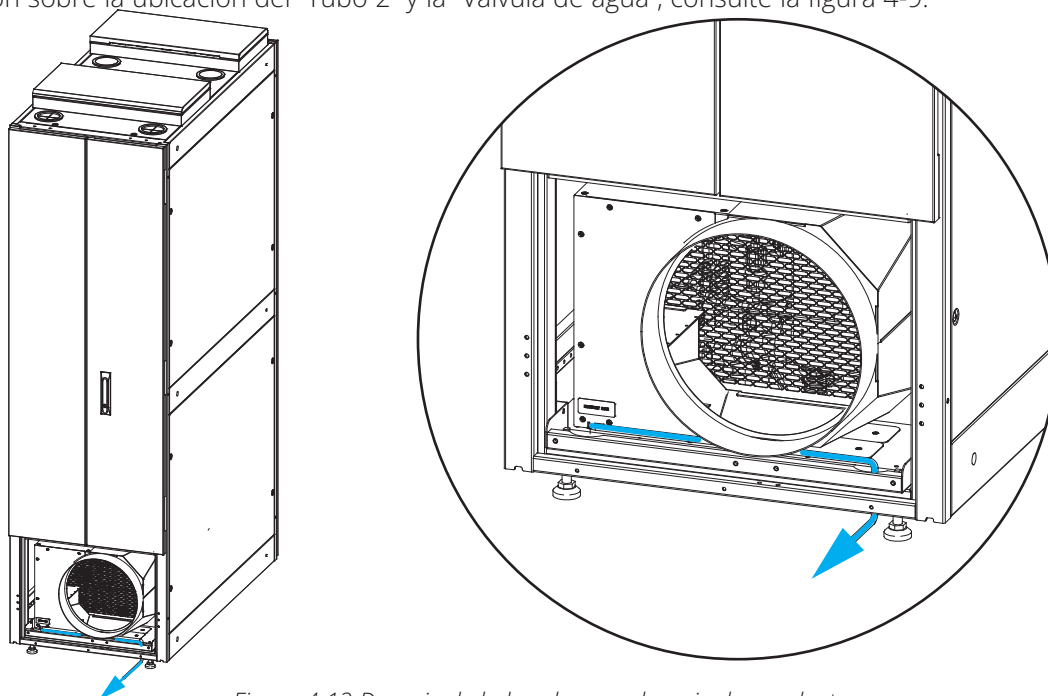


Figura 4-12 Drenaje de la bomba con drenaje descendente

4 Instalación

4.4.4 Drenaje por Gravedad

Cuando elija el drenaje por gravedad para el desagüe:

1. Retire la cubierta de mantenimiento posterior.
2. Desconecte el tubo de entrada de la bomba de agua y extiéndalo al exterior para que drene.
3. Abra la válvula de agua.

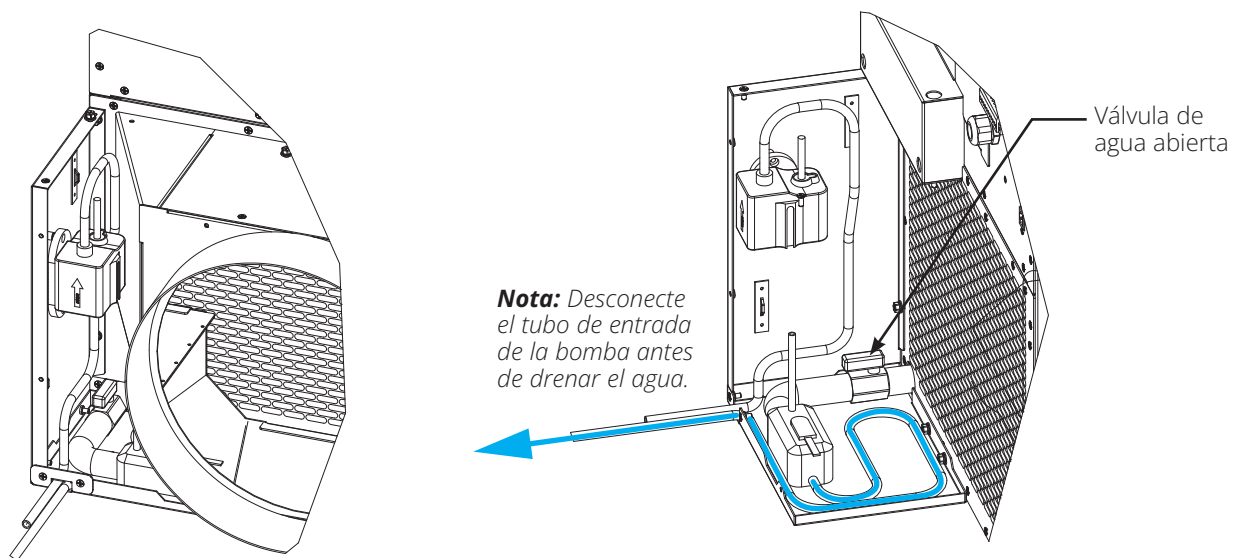


Figura 4-13 Drenaje por gravedad

4 Instalación

4.5 Comunicación

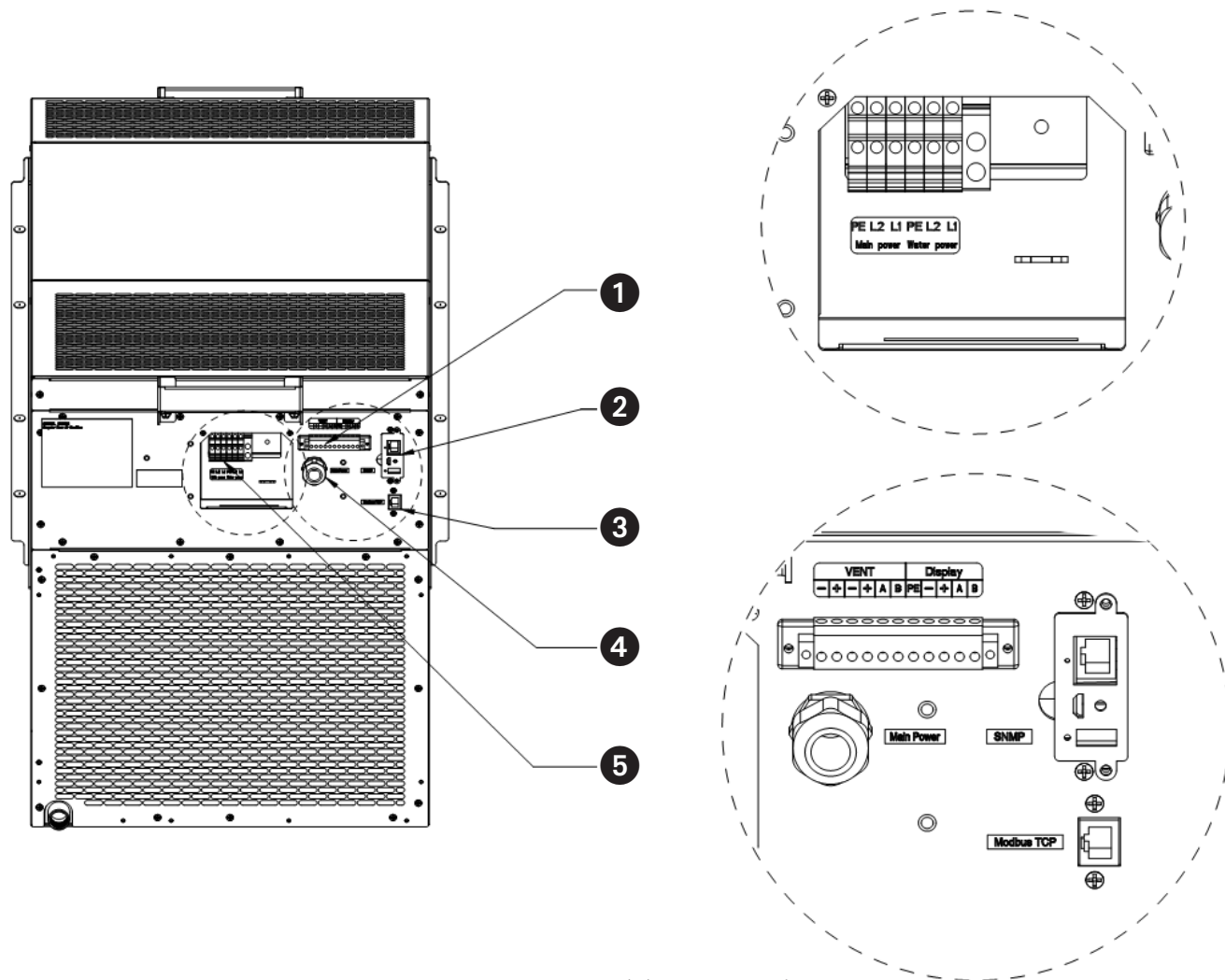


Figura 4-14 Panel de comunicación

- ❶ Terminales de Pantalla y Ventilación de Emergencia
- ❷ Puerto SNMP
- ❸ Puerto Modbus TCP
- ❹ Puerto del Cable de Alimentación Principal*
- ❺ Terminal de la Bomba de Agua y Alimentación Principal

* Se incluye un cable de alimentación opcional de 3.7 m [12 pies], con una clavija L6-30. Póngase en contacto con el equipo de ingeniería de prevención de Eaton para obtener un número de pieza de servicio para instalar el cable de alimentación.

4 Instalación

4.6 Conjunto de Ventilación de Emergencia

Las dos cubiertas de ventilación de emergencia ya están conectadas a la unidad de refrigeración. Sin embargo, para activar el electroimán de estas dos cubiertas, el adaptador de pared debe conectarse primero al bloque de terminales de ventilación de emergencia (consulte la sección **4.2 Conexiones Eléctricas** para obtener más información).

Si el SRCOOL5KWRM funciona mal debido a una falla del suministro eléctrico y la temperatura interna del rack alcanza los 40 °C [104 °F], la tapa de ventilación de emergencia dispone de sensores térmicos que activarán la apertura de la tapa, permitiendo que el aire caliente del interior del rack salga del mismo. Una alerta SNMP a través de la gestión remota del SRCOOL5KWRM le notificará que la ventilación se ha abierto.

Una vez instalado el gabinete, la placa de cubierta móvil situada sobre el conjunto de ventilación de emergencia en la parte superior debe estar abierta. Para asegurarse de que el gabinete está bien instalado y el cable de alimentación del equipo de aire acondicionado está conectado correctamente, encienda el equipo de aire acondicionado y póngalo en marcha. Espere un momento y luego presione manualmente la placa de cubierta móvil del conjunto de ventilación de emergencia hacia abajo hasta que el electroimán situado arriba del conjunto de ventilación de emergencia se arrastre con el bloque de hierro. Los componentes de ventilación de emergencia ya están instalados.

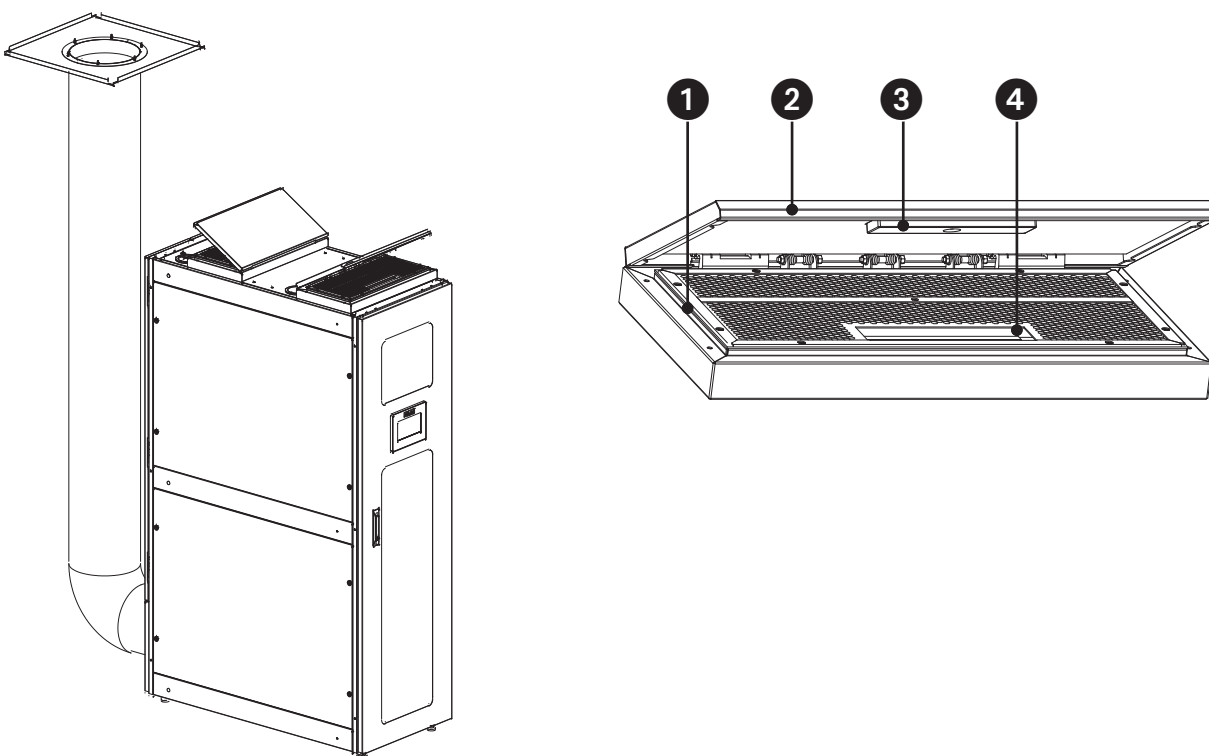


Figura 4-15 Conjunto de ventilación de emergencia

- 1 Marco Principal
- 2 Placa de Cubierta Móvil
- 3 Bloque de Hierro
- 4 Electroimán

5 Operación

5.1 Puesta en Marcha

Revise las instrucciones de instalación y compruebe los siguientes puntos:

- Inspección visual de seguridad.
- Comprobación de las autorizaciones de servicio.
- Todos los accesorios están instalados.

Revise el cableado eléctrico y las conexiones, y asegúrese de que sean seguros, que estén instalados correctamente y cumplan con el código:

- La energía de entrada está dentro del rango de la placa de identificación.
- Tamaños de breaker/fusible.

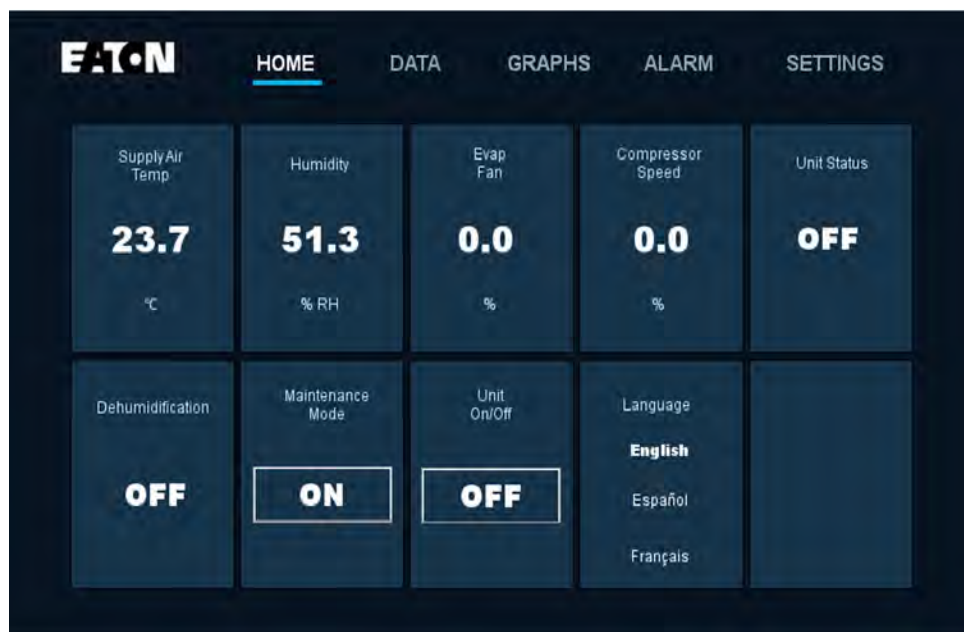


Figura 5-1 Pantalla de inicio

Encienda el enfriador con el botón On [encendido]/Off [apagado] de la pantalla de inicio (página de inicio).

Espere aproximadamente 20 minutos para que la unidad se estabilice al ambiente de operación. A continuación, acceda a las pantallas de "Datos y Gráficos" (mostradas arriba) para observar y registrar lo siguiente:

- El enfriamiento está activo y el compresor se activa (s/n).
- Datos de subenfriamiento.
- Presión baja.
- Presión alta.
- Temperatura de evaporación.
- Temperatura de condensación.

Esta información es útil en caso de que se necesite efectuar resolución de problemas.

5 Operación

5.2 Página de Inicio

El menú de la página de inicio muestra los datos de entrada digital y los datos de salida digital.

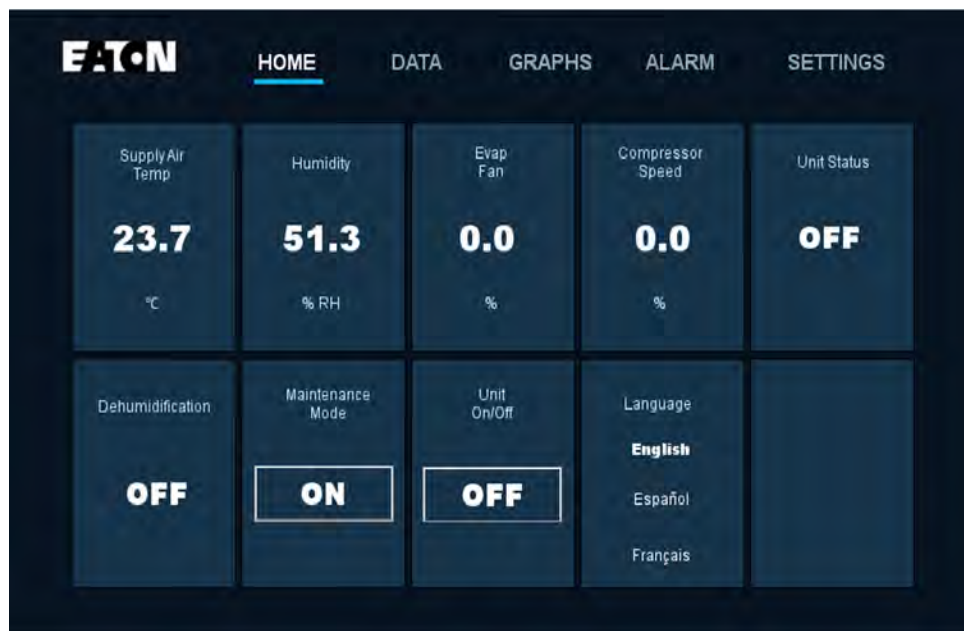


Figura 5-2 Página de inicio

- **Temperatura del Aire de Alimentación:** La temperatura actual del aire de descarga.
- **Deshumidificar:** El estatus del sistema de deshumidificación. Mostrará "ON" cuando la humedad del aire de retorno supere la configuración de humedad + la banda de humedad.
- **Ventilador:** La velocidad total actual del ventilador expresada como un porcentaje del flujo de aire máximo acumulativo.
Nota: Si la velocidad máxima del ventilador está fijada en 80%, por ejemplo, la pantalla de inicio sólo mostrará hasta el 80%.
- **Velocidad del Compresor:** La velocidad actual del compresor como porcentaje en función de la demanda del sistema.
- **Modo de Mantenimiento:** El botón de control para activar el "Modo de Mantenimiento" (debe estar activado en la configuración del usuario). Consulte la sección de Modo de Mantenimiento para obtener más información.
- **On/Off del Enfriador de la Unidad:** El botón de control para encender o apagar la unidad de aire acondicionado.
- **Estatus de la Unidad:** El estatus de enfriamiento actual de la unidad de aire acondicionado, concretamente si el compresor está activado. El estatus de la unidad de aire acondicionado está encendido cuando el compresor está funcionando y en pausa cuando el compresor está apagado.
Nota: Cuando está en pausa, los ventiladores pueden seguir girando para hacer circular el aire.
- **Idioma:** La selección de idioma para la interfaz de usuario.

5 Operación

5.3 Configuración

Configuración se divide en tres partes. De bajo a alto los permisos son Configuración de Usuario, Configuración de Mantenimiento y Configuración de Fábrica.



Figura 5-3 Ajustes

Configuración	Descripción	Notas
Configuración de Temperatura	La temperatura deseada del aire de descarga.	Si se configura el modo de control para retorno de aire, esta configuración se convierte en la "Temperatura de Aire de Retorno".
Configuración de Humedad	La humedad relativa objetivo del sistema de deshumidificación.	El Enfriador No puede agregar humedad al aire.
Banda de Alarma de Alta Temperatura	Si la temperatura de descarga es inferior a este valor, se activa una alarma.	Si configura el Modo de Control a Aire de Retorno, debe ajustar este parámetro para que se base en la temperatura del aire de retorno en su lugar.
Banda de Alarma de Alta Humedad	Si la humedad del aire de retorno excede la configuración de humedad + la configuración de banda de humedad alta, se activa una alarma. Por ejemplo, si la configuración de humedad del usuario es del 50% y el usuario desea que la alarma de alta humedad dispare al 80% de RH, configúrela en 30%. Si está activado el modo de deshumidificación, una alarma de humedad alta activará el modo de deshumidificación.	
Tiempo de Retraso de Reinicio	Retraso del reinicio después de restaurar la energía. Si se pierde energía, el enfriador se reiniciará automáticamente después de este tiempo de retraso.	
Modo de Control: Aire de Alimentación (Predeterminado)	La estrategia de control de enfriamiento se basará en la temperatura del aire de descarga. Aire de retorno: La estrategia de control de enfriamiento se basará en la temperatura del aire entrante.	Si la carga es inferior al 30% de la capacidad de enfriamiento especificada, que puede causar ciclos frecuentes de encendido y apagado del enfriador, es recomendable configurar el Modo de Control en "Aire de Retorno." De lo contrario, configure el Modo de Control en "Aire de Alimentación".

5 Operación

Modo de Control

Existen dos métodos de control principales de la unidad: el control de temperatura del aire de alimentación y el control de temperatura del aire de retorno. Los escenarios de aplicación son los siguientes: el control de temperatura del aire de alimentación se utiliza cuando la carga del gabinete es pequeña. Por ejemplo, cuando la carga de funcionamiento es del 10% al 40% de la carga del gabinete, se recomienda el control de temperatura del aire de alimentación. Cuando la carga de funcionamiento es superior al 40%, entonces se recomienda el control de temperatura del aire de retorno. De lo contrario, se repetirá una situación de inicio y detención de la unidad.

Activar Mantenimiento	Activar mantenimiento: Permite la capacidad de activar el Modo de Mantenimiento desde la página de inicio.	Esto permite que el Modo de Mantenimiento se active desde la página de inicio sin una contraseña.
Banda de Control de Temperatura	Se recomienda dejarlo a la configuración predeterminada de 3.0 °C [5.4 °F] excepto para situaciones de baja carga. Si la carga de TI es menor que la capacidad mínima del enfriador o si la carga de TI cambia con frecuencia, configure una banda más alta para mantener estable la temperatura del rack. Una banda más alta puede ayudar a reducir el número de ciclos de encendido y apagado del compresor. Para esto, el parámetro recomendado es 3 °C a 6 °C [5.4 °F a 10 °F] Si la carga de TI es superior a la capacidad mínima de la unidad de aire acondicionado o si la carga de TI es estable, considere configurar la banda a su valor predeterminado o inferior a fin de optimizar la precisión de la temperatura. Parámetro recomendado: 2 °C a 3 °C [3.6 °F a 5.4 °F].	
Banda de Control de Humedad Superior	El rango permitido por encima de la configuración de humedad. Por ejemplo, un delta del 20% de HR a un ajuste de humedad del 50% de HR significaría que el ciclo de deshumidificación se iniciaría cuando la humedad se eleve por encima del 70% de HR.	
Banda de Alarma de Baja Temperatura	Si la temperatura de descarga es inferior a este valor, se activa una alarma.	Si configura el Modo de Control a Aire de Retorno, debe ajustar este parámetro para que se base en la temperatura del aire de retorno en su lugar.
Tiempo de Operación de Mantenimiento	Duración del Modo de Mantenimiento. Si el usuario no apaga el Modo de Mantenimiento desde la pantalla de inicio, la unidad de aire acondicionado regresará automáticamente a la operación normal después de este tiempo.	
Fecha y Hora	Fecha: aaaa/mm/dd Hora: 24-horas hh/mm/ss.	
Contraseña	Permite al usuario cambiar la contraseña.	

5.4 Modo de Mantenimiento

Desde la pantalla de inicio, haga click en el botón on/off del Modo de Mantenimiento. El Modo de Mantenimiento ajusta temporalmente la potencia de enfriamiento al 100% para ayudar a evacuar rápidamente el calor del rack y lograr una mayor comodidad al realizar el mantenimiento de los equipos de TI. No se requiere contraseña. El sistema regresa al Modo Automático después de 30 minutos. Para evitar el uso de esta función, desactive el modo de mantenimiento en la configuración del usuario.

5 Operación

5.5 Menú de Datos

El menú de datos permite a los usuarios y técnicos monitorear parámetros avanzados (solo lectura).



Figura 5-4 Menú de datos

5.6 Menú de Gráficos

El menú de gráficos permite a los usuarios o técnicos ver las tendencias históricas de los siguientes puntos de datos:

- Temperatura de alimentación
- Temperatura de retorno
- Humedad
- Presión baja (succión)
- Presión alta (descarga)

5 Operación

5.7 Menú de Alarma

Las alarmas generadas se registrarán en el menú de alarma. También se muestran en un menú desplegable en la parte superior de la pantalla de inicio.

Las alarmas resueltas y/o borradas se borrarán del menú de alarma actual y se registrarán en el historial de alarma (por ejemplo, se detectó una alta temperatura, pero se disipó).

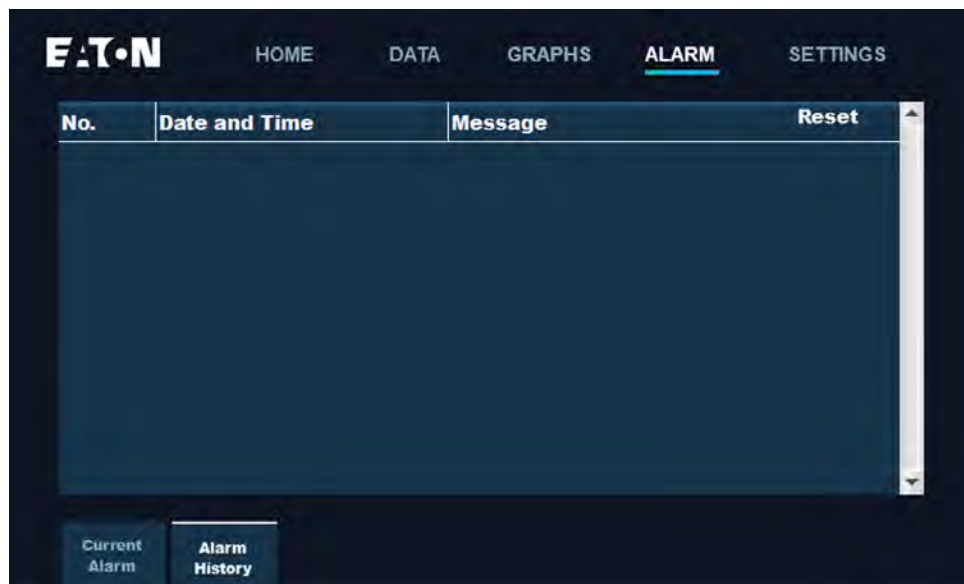


Figura 5-5 Menú de alarma

5 Operación

Exportación de Registros de Alarma

El historial de alarmas se puede exportar a un archivo de valores separados por comas (CSV) utilizando el puerto USB-A que puede ubicar en el panel posterior de la pantalla.

Para exportar el historial de alarmas a una unidad USB:

1. Prepare la unidad USB formateando una unidad USB vacía.

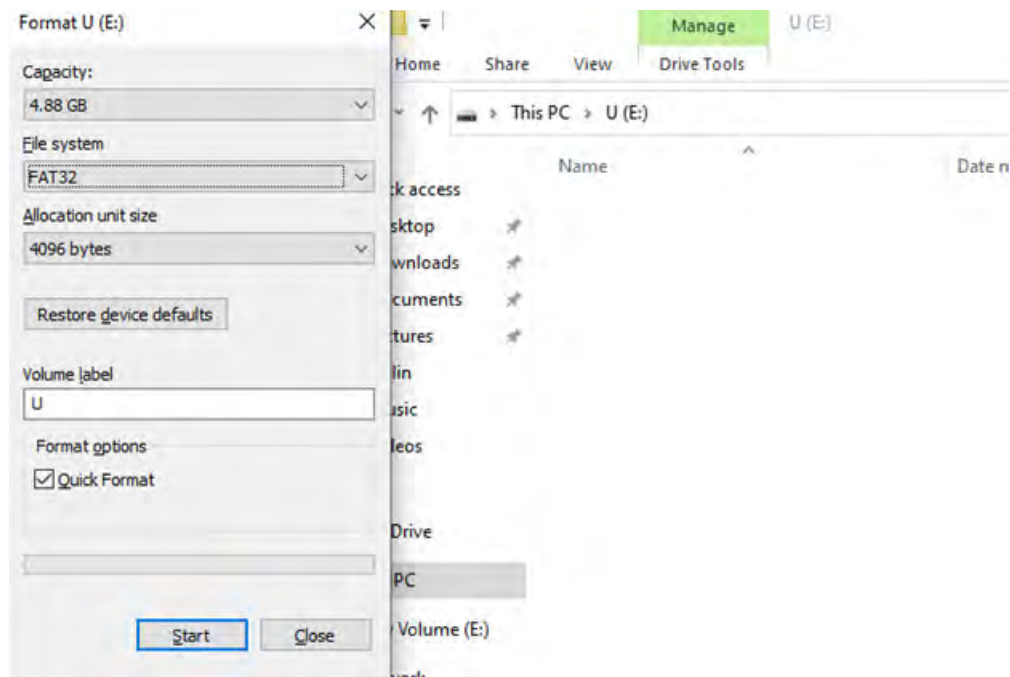


Figura 5-6 Formateo de la unidad USB

Nota: El sistema de archivos selecciona el FAT32 predeterminado. Si el disco USB ya tiene el sistema de archivos FAT32 no es necesario formatearlo.

2. Inserte la unidad USB en el puerto USB-A de la parte posterior de la pantalla

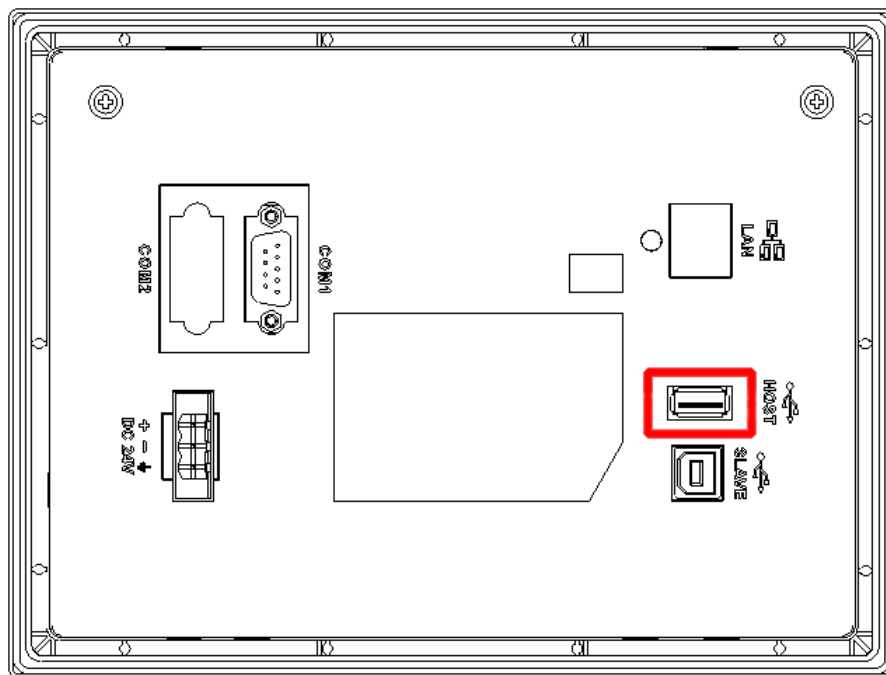


Figura 5-7 Ubicación del puerto USB-A

5 Operación

3. Pulse el botón "alarma" en la pantalla y, a continuación, pulse la pestaña "Historial de Alarmas".



Figura 5-8 Menú principal de Alarma

4. El historial de alarmas aparecerá en la pantalla. Pulse el botón "Exportar alarmas" para exportar los registros de alarmas a un archivo CSV en la unidad USB.



Figura 5-9 Exportar alarmas

5. Una vez finalizada la exportación, extraiga la unidad USB-A del panel posterior e inserte la unidad USB en la computadora.

5 Operación

6. Abra la unidad USB en su computadora. Debe aparecer un archivo “Unidad USB→HMI→HMI-000→@HMI00000→Alarma→CSV”.

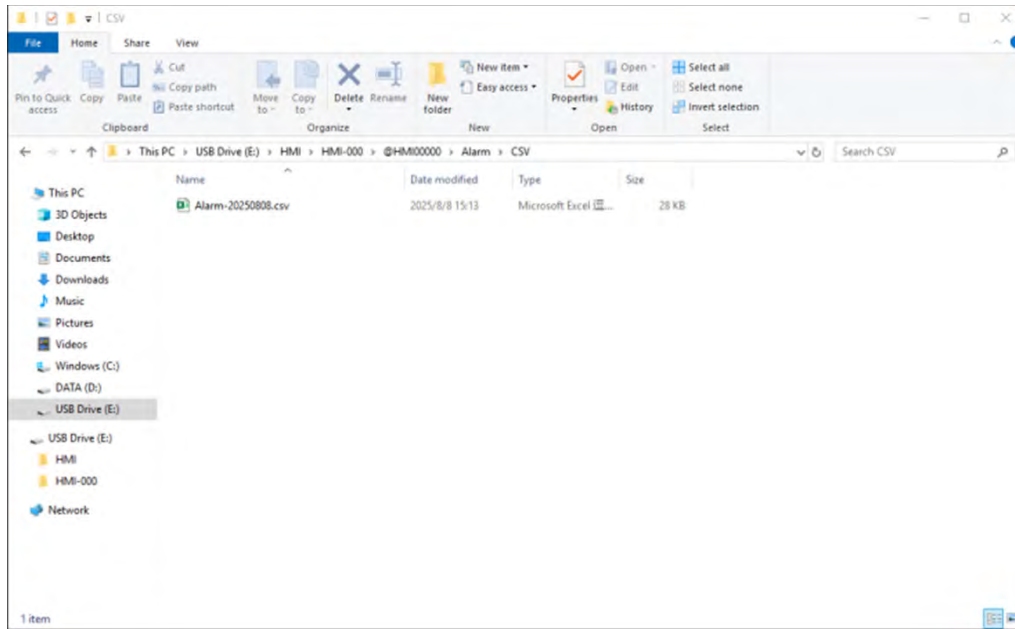


Figura 5-10 Listado de archivos de la unidad USB

7. Abra el archivo “alarm-*****.csv” con Excel para ver los registros de alarma exportados.

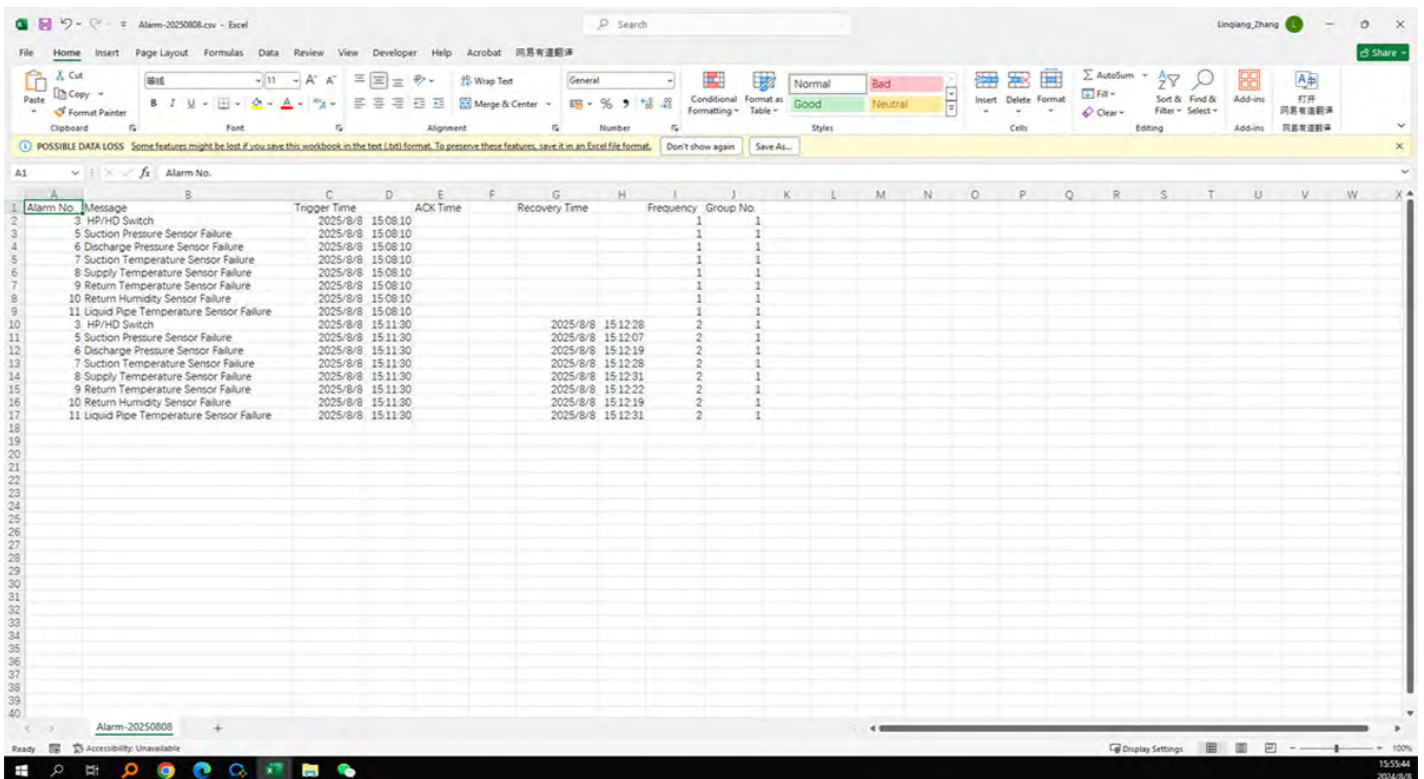


Figura 5-11 Exportación de registros de alarma a CSV

5 Operación

5.8 Restablecimiento de fábrica

En el Menú de ajustes encontrará la opción Restaurar, para restablecer los ajustes de fábrica del sistema de refrigeración.



Figura 5-12 Restablecimiento de fábrica

6 Mantenimiento

6.1 Reemplazo del Filtro del Condensador

La instalación del filtro del condensador se muestra en el diagrama a continuación.

Abra la puerta frontal del gabinete. Retire las tapas de plástico **1** tornillos M4x12 **2** y tornillos M4x25 **3** en la parte frontal del aire acondicionado. Extraiga el conjunto del filtro a mano **6**, luego retire los tornillos avellanados M4x12 para desprender del soporte de la pantalla del filtro **5**. Limpie el filtro existente o reemplácelo con un filtro nuevo. Realice este procedimiento en sentido inverso para colocar y asegurar el filtro en la parte frontal del aire acondicionado.

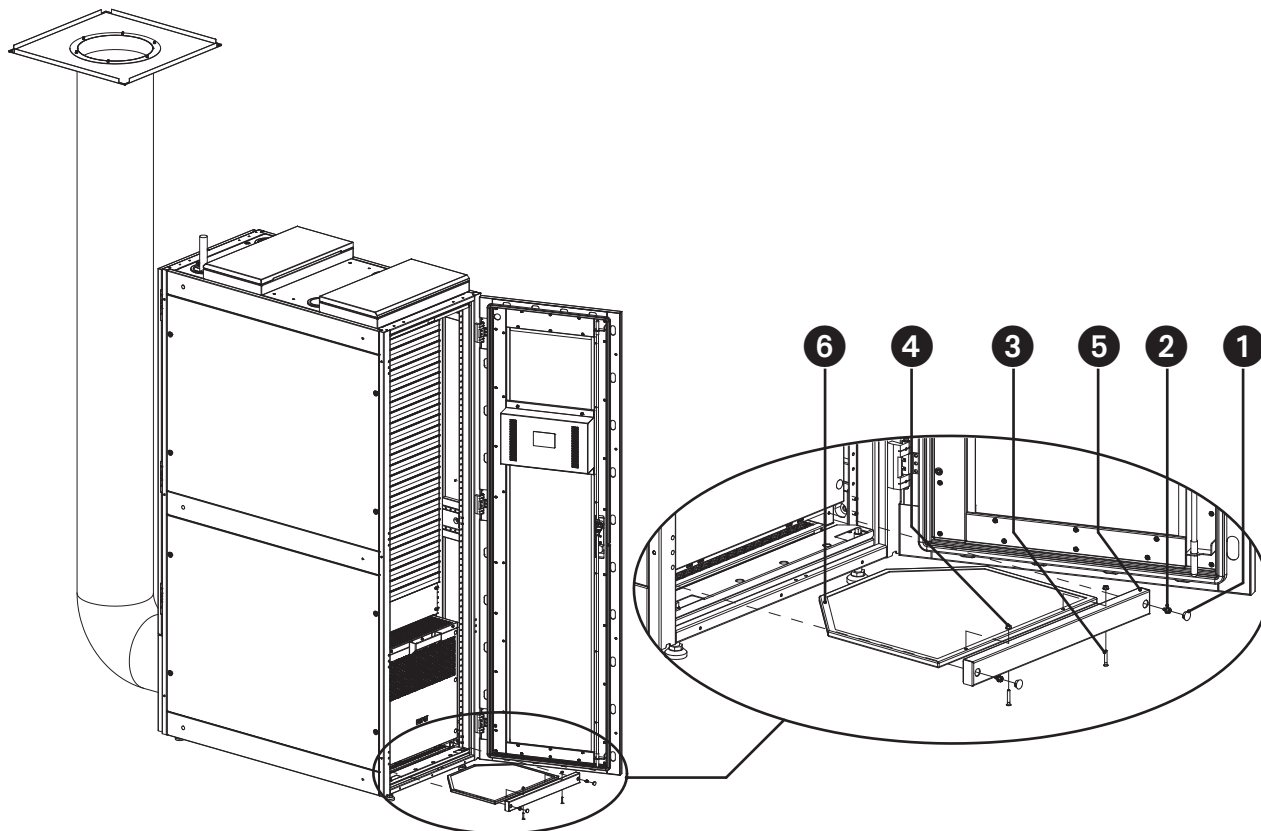


Figura 6-1 Reemplazo del Filtro del Condensador

- 1** Cubierta de Plástico
- 2** Tornillo M4x12
- 3** Tornillo M4x25
- 4** Tuerca M4
- 5** Soporte de la Pantalla del Filtro
- 6** Pantalla del Filtro

6 Mantenimiento

6.2 Reemplazo del Filtro del Evaporador

La ubicación de instalación del filtro del evaporador se muestra en el diagrama a continuación.

Abra la puerta trasera del gabinete. Retire las tapas de plástico **1** **3**, seguido de la extracción de dos tornillos M4x12. Luego saque el soporte del filtro. Desde la parte inferior del filtro, retire los tornillos avellanados M4x20 y las dos tuercas con reborde M4, sustituya con el filtro nuevo, y luego vuelva a colocar los tornillos retirados. Realice este procedimiento en sentido inverso para colocar y asegurar el filtro en la parte frontal del aire acondicionado.

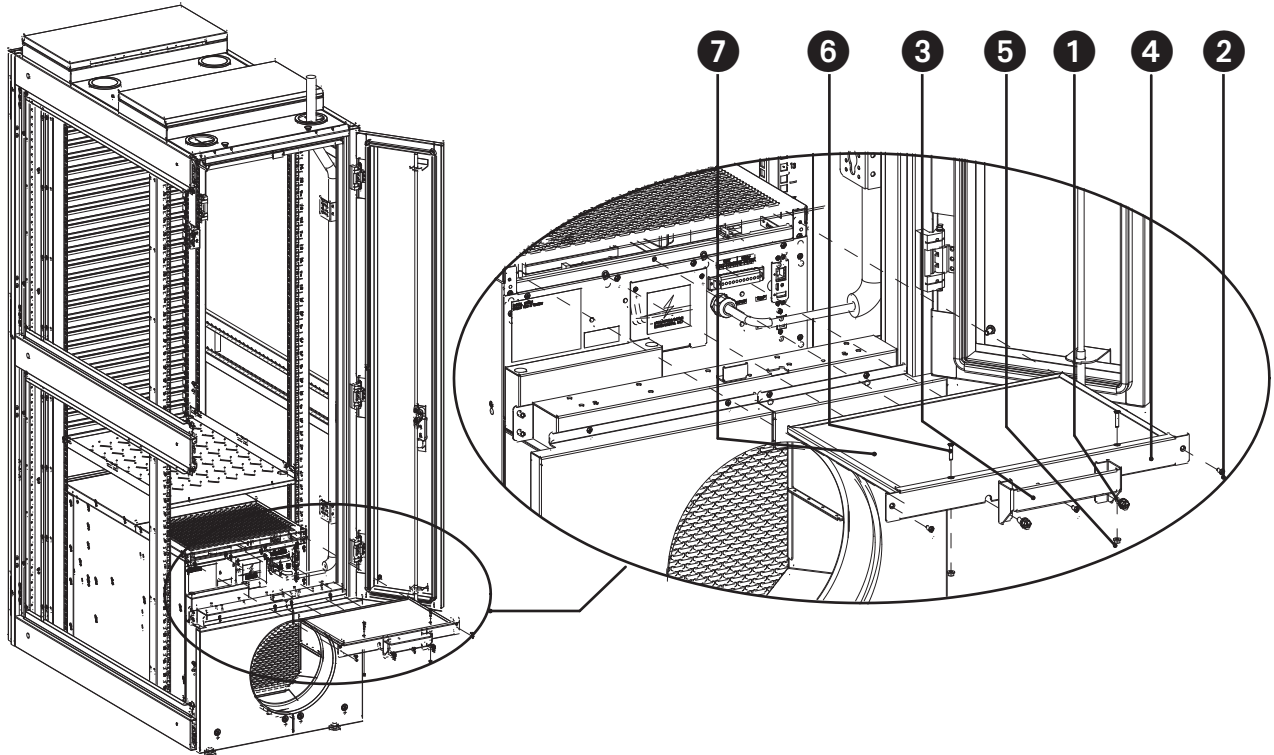


Figura 6-2 Reemplazo del Filtro del Evaporador

7 Resolución de Problemas

7.1 Posibles Problemas y Soluciones

Mensaje de Error	Causa	Soluciones Posibles
Fuga de Condensado	Las tuberías de evacuación de condensado no están correctamente instaladas—condensación excesiva	Ajuste la posición de la tubería de drenaje o utilice drenaje por gravedad

7.2 Alarmas y Soluciones

Alarmas:	Causa:	Soluciones Posibles
Alarma de Baja Temperatura	Revise la configuración de la banda de la alarma de baja temperatura	Ajuste la configuración para que se adapte al entorno de funcionamiento
Alarma de Alta Presión	El condensador o el evaporador están bloqueados o el refrigerante es insuficiente	Revise si hay algún problema con los dos dispositivos o si se ha sustituido el refrigerante
Alarma por Baja Humedad	La humedad del aire de retorno es inferior al umbral establecido de la alarma de humedad baja	Ajuste la configuración para que se adapte al entorno de funcionamiento

8 Garantía

Para obtener información sobre la garantía, haga click en el siguiente enlace:
<https://tripplite.eaton.com/warranty/srcool5kwrm42u>

Números de Identificación para el Cumplimiento de las Normas

A efectos de identificación y certificaciones de cumplimiento normativo, a su producto se le ha asignado un número de serie único. El número de serie se ubica en la etiqueta de placa de identificación, junto con todas las marcas e información que requieren aprobación. Al solicitar información de cumplimiento normativo de este producto, refiérase siempre al número de serie. El número de serie no debe confundirse con el nombre de la marca o el número de modelo del producto.

Información de Cumplimiento de WEEE para Clientes y Recicladores (Unión Europea)

 De acuerdo con la Directiva de Residuos de Equipos Eléctricos y Electrónicos [WEEE] y las regulaciones aplicables, al adquirir un equipo eléctrico y electrónico nuevo de Eaton, los clientes tienen derecho a:

- Enviar los equipos viejos para su reciclaje en razón de uno por uno, igual por igual (esto varía según el país).
- Devolver el equipo nuevo para fines de reciclaje una vez que finalmente se convierta en residuo.

Eaton tiene una política de mejora continua. Las especificaciones están sujetas a cambio sin previo aviso.

EATON

Powering Business Worldwide

Eaton
1000 Eaton Boulevard
Cleveland, OH 44122
Estados Unidos
Eaton.com

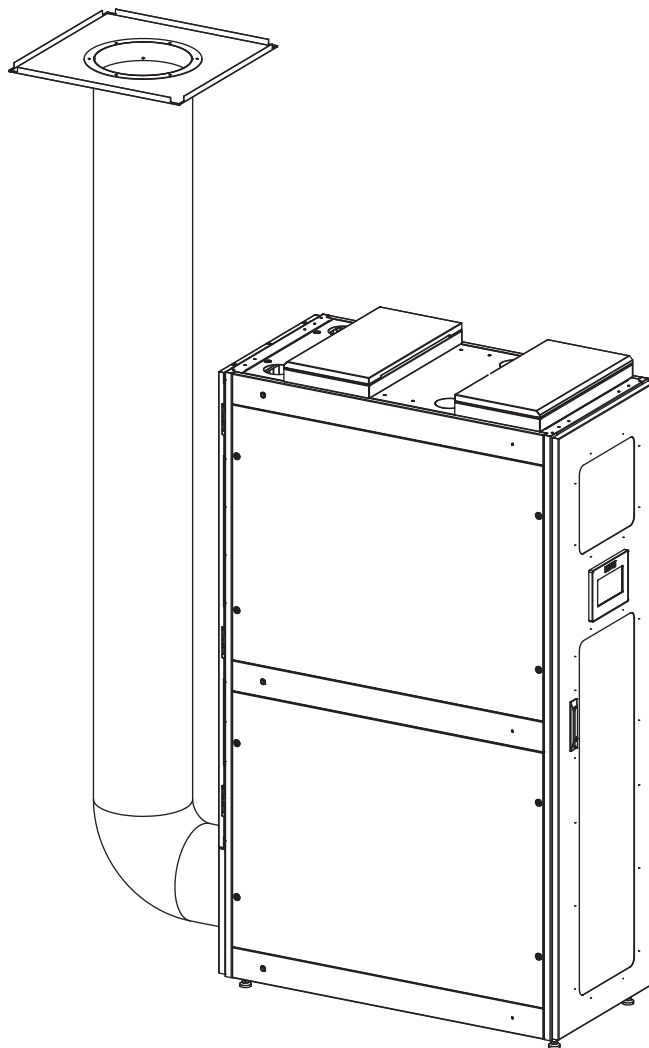
© 2024 Eaton
Todos los derechos reservados
Publicación n.º 24-10-038 / 93474E_RevC
Octubre de 2024

Eaton es una marca registrada.

Todas las marcas registradas pertenecen a sus respectivos propietarios.

Systeme de refroidissement de precision monte dans un bâti SmartRack® de 5,5 kW

Modèle :
SRCOOL5KWRM42U



Le produit achete
peut être different de l'image.

English 1
Español 36

Table des matières

1	Consignes de sécurité importantes	73	5	Fonctionnement	92
1.1	Consignes sur la manutention	74	5.1	Démarrage	92
2	Introduction	75	5.2	Page d'accueil	93
3	Informations générales	76	5.3	Paramètres	94
3.1	Caractéristiques externes	76	5.4	Mode d'entretien	95
3.2	Caractéristiques physiques	77	5.5	Menu des données	96
3.3	Environnement	78	5.6	Menu des graphiques	96
3.4	Déballage	79	5.7	Menu des alarmes	97
4	Installation	81	5.8	Réinitialisation d'usine	97
4.1	Installation de l'appareil	81	6	Maintenance	102
4.2	Connexions électriques	83	6.1	Remplacement du filtre du condenseur	102
4.3	Installation du conduit d'air chaud	84	6.2	Remplacement du filtre de l'évaporateur	102
4.4	Élimination des condensats	85	7	Dépannage	104
4.5	Communication	90	7.1	Problèmes et solutions possibles	104
4.6	Ensemble de ventilation d'urgence	91	7.2	Alarmes et solutions	104
			8	Garantie	104

1 Consignes de sécurité importantes

CONSERVER CES INSTRUCTIONS

Avant l'installation, l'utilisation, l'entretien ou la réparation de cet équipement, lire ce manuel entièrement. Toujours garder à l'esprit les symboles suivants qui mettent en garde contre des dangers possibles et indiquent la nécessité de faire preuve d'attention.

Cet appareil ne doit être utilisé que par des personnes adéquatement formées ou qualifiées. Quiconque n'étant pas formé ou qualifié ne doit pas utiliser ce dispositif à moins d'être sous la surveillance de quelqu'un étant correctement formé ou qualifié pour le faire. Les enfants doivent être surveillés afin de s'assurer qu'ils ne jouent pas avec l'appareil. Cet appareil est classé comme étant un APPAREIL NON ACCESSIBLE AU GRAND PUBLIC. Si le cordon d'alimentation est endommagé, il doit être remplacé par le fabricant, son agent d'entretien ou par des personnes ayant des qualités semblables pour éviter tout risque. L'appareil doit être installé conformément aux réglementations nationales de câblage GWP pour R410A (R32/125: 50/50): 2087.5. Un dispositif de déconnexion pour tous les pôles avec une distance de séparation d'au moins 3 mm (0,118 po) et un disjoncteur différentiel de fuite à la terre (DDFT) avec une valeur nominale de plus de 10 mA doivent être intégrés au câblage fixe, conformément aux réglementations nationales.

Explication des symboles

Les symboles suivants illustrent des messages pour mettre en garde contre des dangers possibles et indiquer la nécessité de faire preuve de diligence et d'attention.



Ce symbole indique que le non-respect des instructions risque de donner lieu à un risque de décharges électriques pouvant occasionner des blessures, tel que mentionné sur les étiquettes de sécurité « DANGER » ou « AVERTISSEMENT ».



Il s'agit d'un symbole d'avertissement de danger pour mettre en garde contre des risques de blessures possibles. Suivre toutes les consignes de sécurité pour éviter les blessures ou la mort qui pourraient survenir.



DANGER

DANGER indique une situation de danger imminente qui, si elle n'est pas évitée, aura pour conséquence la mort ou des blessures graves.



AVERTISSEMENT

AVERTISSEMENT indique une situation de danger potentielle qui, si elle n'est pas évitée, peut avoir pour conséquence la mort ou des blessures graves.



MISE EN GARDE

MISE EN GARDE indique une situation de danger potentielle qui, si elle n'est pas évitée, peut avoir pour conséquence des blessures mineures ou modérées.

AVIS

AVIS porte sur les pratiques non liées à une blessure physique incluant certains risques environnementaux, des dommages potentiels ou la perte de données.



MISE EN GARDE

Réfrigérant à haute pression et danger pour l'équipement

- Cet appareil fonctionne sous haute pression. Respecter les précautions de sécurité adéquates lors de l'utilisation ou de l'entretien de l'appareil.
- L'équipement doit être chargé avec du R-410A seulement.

Le non-respect de cet avertissement peut entraîner des blessures graves ou endommager l'équipement.

1 Consignes de sécurité importantes

1.1 Consignes sur la manutention

Lire les consignes sur la manutention avant d'installer, réparer ou effectuer l'entretien de l'équipement. Se conformer aux réglementations et aux lois locales lors de la manutention du réfrigérant.



DANGER

Risque de décharges électriques, d'explosion ou d'éclair d'arc

- Porter un équipement de protection individuelle (EPI) approprié et suivre les pratiques de travail électrique sécuritaires.
- Cet équipement doit être installé et réparé uniquement par du personnel qualifié.
- Se conformer à toutes les réglementations locales et nationales en matière de câblage et de sécurité applicables où l'appareil sera installé.
- Couper toutes les sources d'alimentation alimentant cet équipement avant de travailler sur ou à l'intérieur de l'équipement.
- Toujours utiliser un capteur de détection de la tension de calibre approprié pour confirmer que l'alimentation est coupée.
- Remettre en place tous les dispositifs, toutes les portes et tous les couvercles avant de mettre cet équipement sous tension.

Le non-respect de cet avertissement peut entraîner la mort ou des blessures graves.



AVERTISSEMENT

Danger créé par les pièces mobiles

- Garder les mains, les vêtements et les bijoux à l'écart des pièces mobiles. Vérifier l'équipement à la recherche de corps étrangers avant de fermer les portes et de démarrer l'équipement.

Le non-respect de cet avertissement peut entraîner la mort ou des blessures graves.



MISE EN GARDE

Danger pour l'équipement ou le personnel

- Tout le travail doit être effectué uniquement par un personnel qualifié.

Le non-respect de cet avertissement peut entraîner la mort ou des blessures graves.



AVERTISSEMENT

Danger de chute de l'équipement

- Vérifier l'absence de toute pièce de rechange et de tout outil dans l'équipement avant sa manutention.

Le non-respect de cet avertissement peut entraîner des blessures graves ou endommager l'équipement.



MISE EN GARDE

Danger pour l'équipement ou le personnel

- Vérifier l'absence de toute pièce de rechange et de tout outil dans l'équipement avant sa manutention.

Le non-respect de cet avertissement peut entraîner des blessures graves ou endommager l'équipement.

2 Introduction

Le système de refroidissement de précision SRCOOL5KWRM42U SmartRack 5,5kW pour montage sur support se compose de trois éléments principaux : les composants de ventilation d'urgence, les armoires et le climatiseur SRCOOL5KWRM. Il s'agit d'un système de refroidissement à un seul bâti avec une unité de refroidissement autonome qui ne nécessite pas de tuyauterie de réfrigérant allant de l'intérieur à l'extérieur et l'unité de refroidissement est préchargée de fluide frigorigène. L'unité de refroidissement dédiée et le bâti personnalisé avec isolation interne constituent un système optimisé pour la gestion thermique des équipements critiques dans les salles de serveurs et les applications informatiques en périphérie au sein d'une entreprise ou dans des installations distantes.

Armoire

L'armoire utilisée avec le système SRCOOL5KWRM42U est une armoire standard de 19 pouces avec des dimensions de largeur x profondeur x hauteur de 23,6 x 47,3 x 81,4 pouces (600 x 1200 x 2068 mm). L'armoire offre 27U d'espace utilisable pour le montage en support d'équipements informatiques avec des entrées de câbles en haut et en bas. Elle est conçue pour l'installation, la gestion et la protection des équipements de réseau, des serveurs, des dispositifs de stockage et des autres équipements critiques. Construite en plaques d'acier, l'armoire offre la solidité et la stabilité nécessaires.

Climatisation

Le système de climatisation a une capacité de refroidissement de 5,5 kW (18 766 BTU/h), et il est installé en bas.

Le SRCOOL5KWRM est un système de précision refroidi par air DX indépendant monté en bas. Sa conception intégrée élimine le besoin de tuyauterie entre les unités intérieures et extérieures, ainsi que toute infrastructure de refroidissement spéciale. Par conséquent, l'unité de climatisation peut fonctionner indépendamment et en toute sécurité à l'intérieur de l'armoire pour garantir que l'équipement reste à une température de fonctionnement appropriée.

Ventilation d'urgence

La ventilation d'urgence est une mesure prise pour protéger les équipements contre la surchauffe ou la surcharge lors d'événements soudains ou d'urgences. Ces événements peuvent être des incendies, des pannes de courant, des dysfonctionnements de l'équipement, etc., entraînant une augmentation des températures à l'intérieur de l'armoire et l'incapacité de l'équipement à fonctionner normalement. L'objectif premier est de maintenir la stabilité et la fiabilité du fonctionnement des équipements en cas d'urgence. En évacuant rapidement la chaleur, le risque de surchauffe de l'équipement est réduit, ce qui diminue la possibilité d'endommager l'équipement.

Remarques :

- *Ce sont des dispositifs de refroidissement seulement sans aucune capacité de chauffage.*
- *Le climatiseur nécessite 3U au-dessus de l'unité de refroidissement pour un dégagement d'air approprié, ce qui laisse 27U pour l'équipement informatique monté en bâti.*
- *Le système n'est pas conçu pour les environnements sales ou avec des conditions rigoureuses.*
- *Pour une performance de refroidissement maximale, assurez-vous que tous les espaces RU sans équipement sont dotés de panneaux de suppression.*

3 Informations générales

3.1 Caractéristiques externes

- ① Assemblage de la ventilation d'urgence
- ② Porte avant
- ③ Affichage
- ④ Panneau latéral
- ⑤ Porte arrière
- ⑥ Plaque signalétique
- ⑦ Évaporateur
- ⑧ Ventilateur de l'évaporateur
- ⑨ Ventilateur du condenseur
- ⑩ Condenseur
- ⑪ Panneau d'obturation 1U

Remarque : les panneaux d'obturation 1U optimisent les performances en concentrant l'air froid près des équipements informatiques installés. Ne retirez pas les panneaux d'obturation à moins que vous ne prévoyiez d'installer du matériel informatique supplémentaire.

- ⑫ Base de fixation

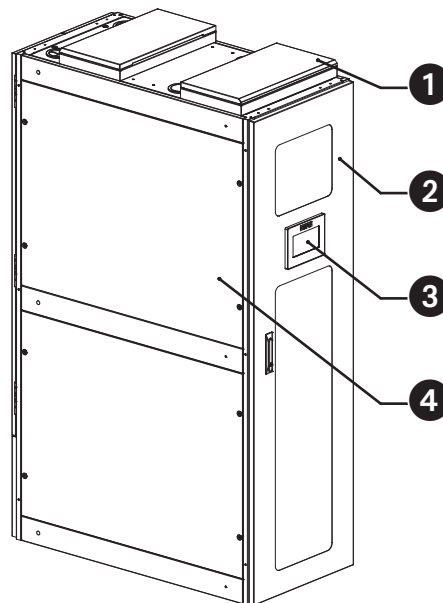


Figure 3-1 Aspect de l'armoire

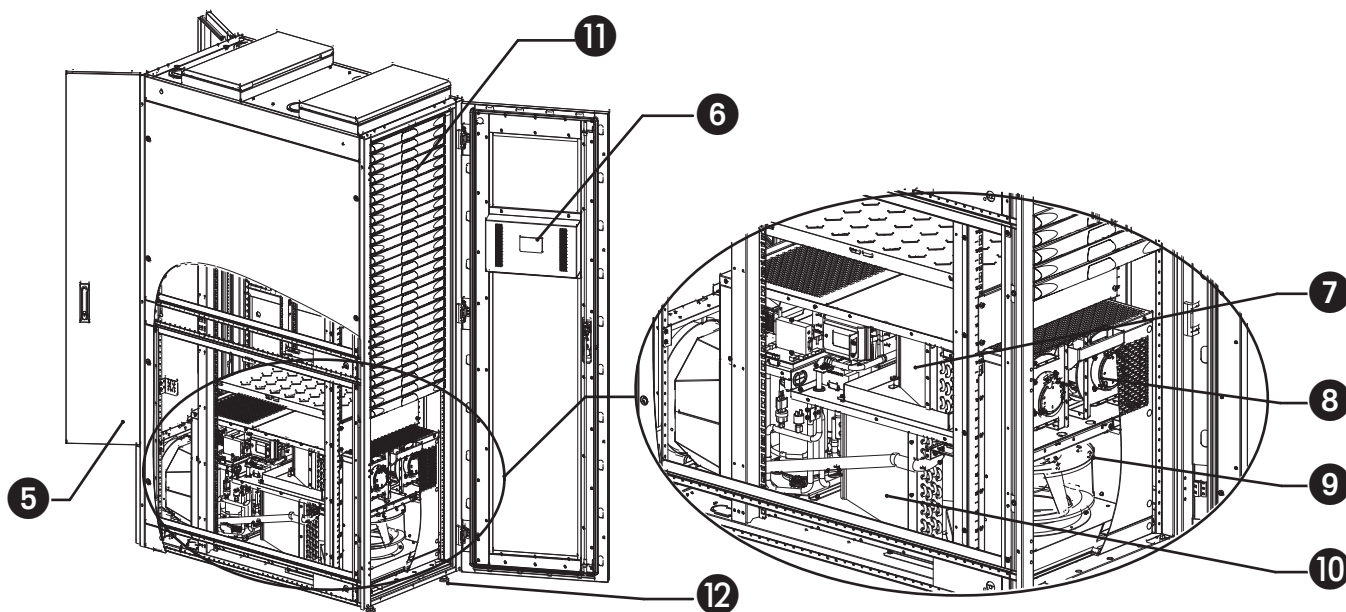


Figure 3-2 Vue de l'armoire et de la section de l'unité de climatisation

3 Informations générales

3.2 Caractéristiques physiques

Poids net - lb (kg)	589,74 (267,5)
Poids à l'expédition - lb (kg)	612,74 (278)

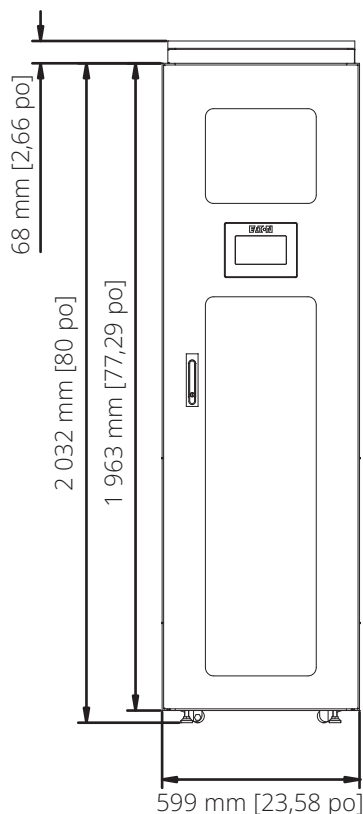


Figure 3-3 Vue de face

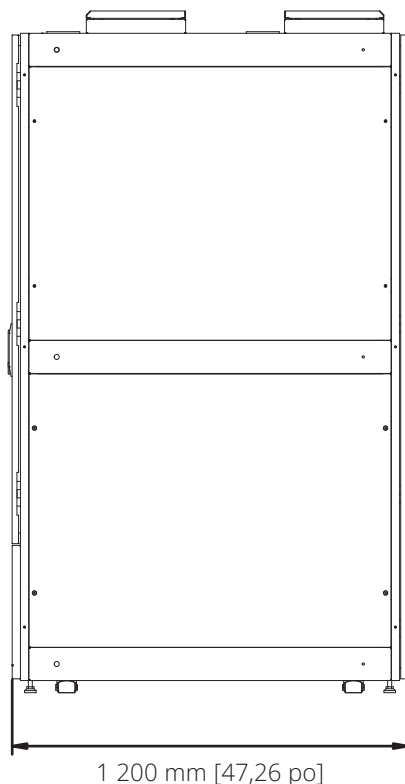


Figure 3-4 Vue de côté

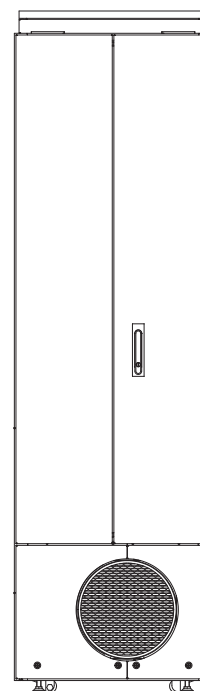


Figure 3-5 Vue arrière

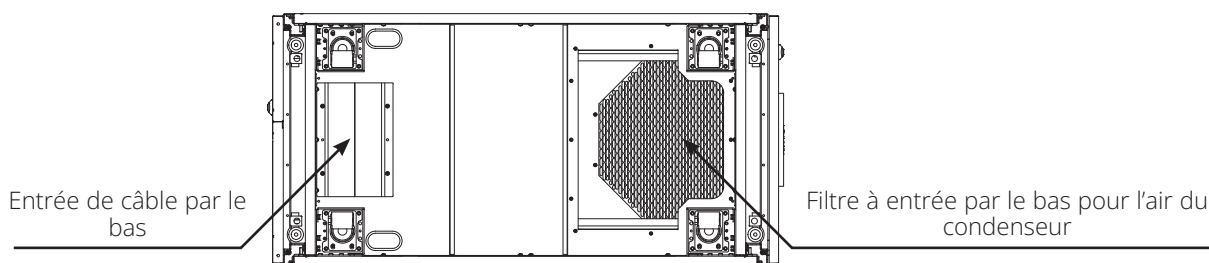
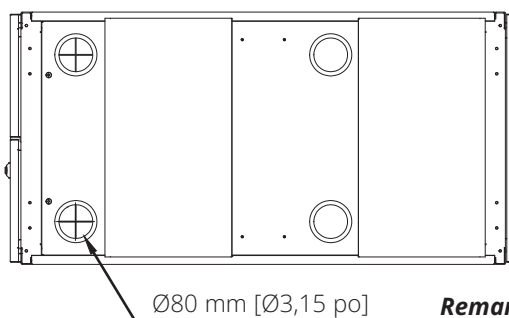


Figure 3-6 Vue du bas



Ø80 mm [Ø3,15 po]
Entrée de câble supérieure

Figure 3-7 Vue de dessus

Remarque : ce trou peut être utilisé pour l'évacuation verticale de l'eau de condensation par pompage.

3 Informations générales

3.3 Environnement

Conditions de rendement

- Intérieur du bâti : 17,7 à 37 °C (64 à 98,6 °F), 20 à 80 %
- Extérieur du bâti : 13 à 35 °C (55,4 à 95 °F)*

* Le rendement de refroidissement sera réduit si la température extérieure du bâti atteint 35 à 45 °C (95 à 113 °F). Si la température extérieure du bâti est supérieure à 45 °C (113 °F), le système passera en mode de protection (attente).

- 1 **Sortie d'air de l'évaporateur**
- 2 **Entrée d'air de l'évaporateur**
- 3 **Sortie d'air du condenseur**
- 4 **Entrée d'air du condenseur** (Ouverture située en bas de l'unité de refroidissement et du support)
- 5 **Interface du conduit d'évacuation de l'air chaud**

L'air à température ambiante entre par le bas de l'avant du support et passe par le condenseur arrière. Cet air élimine la chaleur du réfrigérant et le pousse à travers l'arrière du support et dans le conduit d'air chaud.

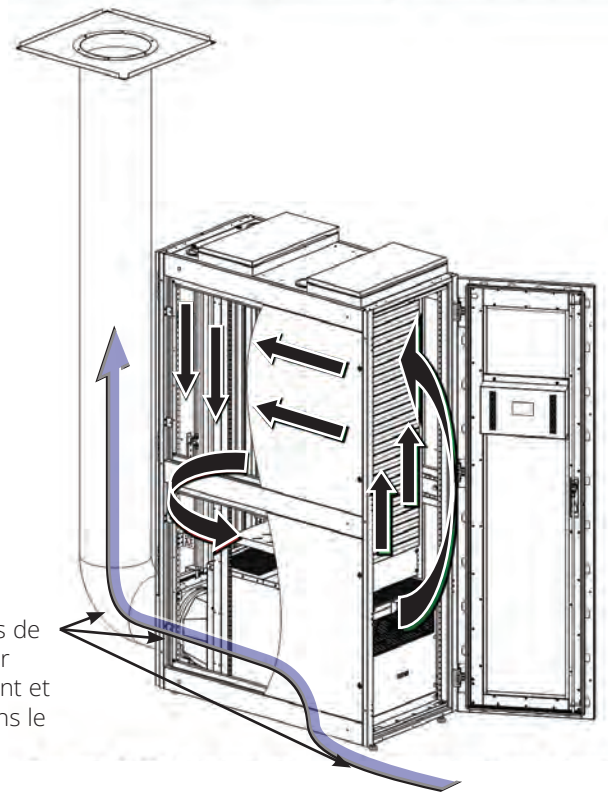


Figure 3-8 : Schéma d'organisation des flux d'air de l'armoire

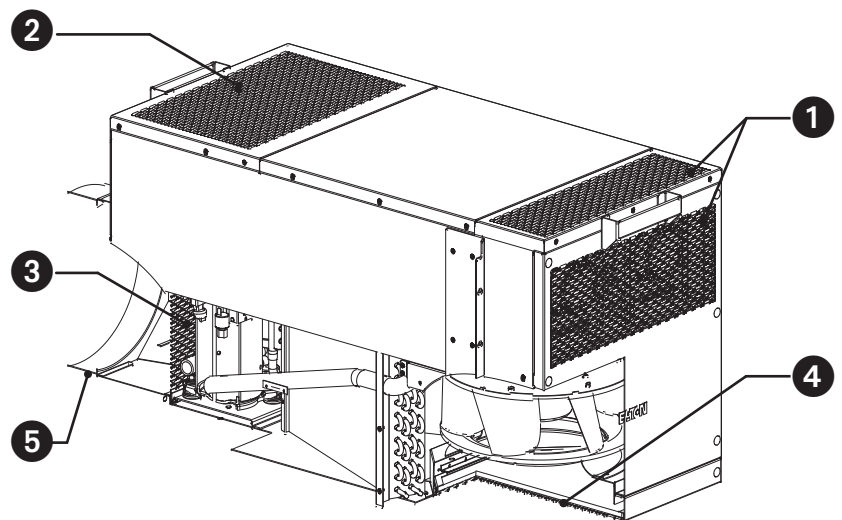


Figure 3-9 : Introduction de la tuyère d'alimentation et de retour de la climatisation

3 Informations générales

3.4 Déballage

Faire preuve de prudence lors du déballage de l'appareil. L'appareil doit être placé sur sa palette aussi près que possible de l'emplacement d'installation final pour minimiser le besoin de déplacer l'appareil ultérieurement.

Pour une procédure de déballage détaillée, reportez-vous à la procédure indiquée dans l'image de cette section.

Séquence d'emballage : ①, ②, ③, ④, ⑤, ⑥, ⑦

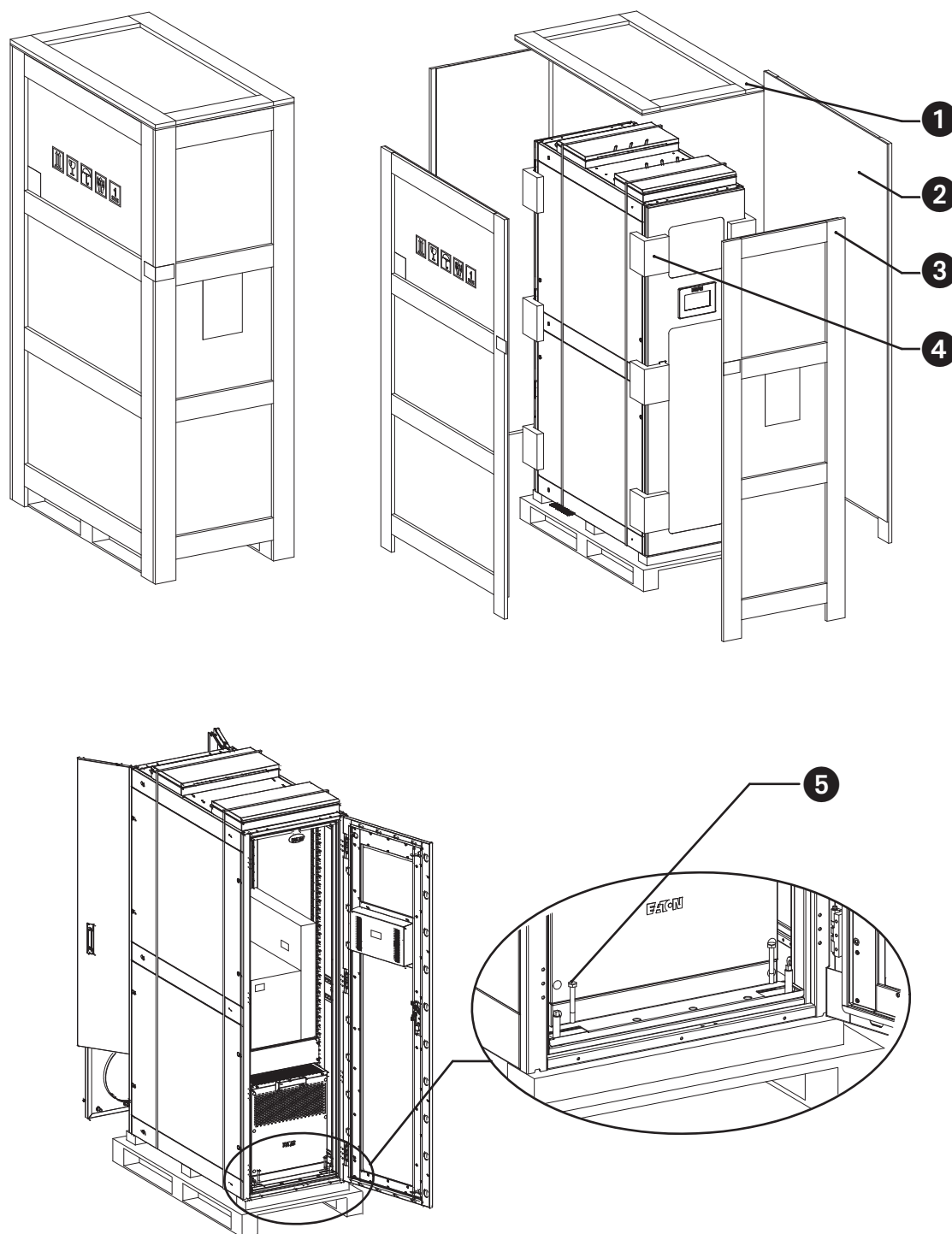


Figure 3-10 : Schéma de démontage 1

3 Informations générales

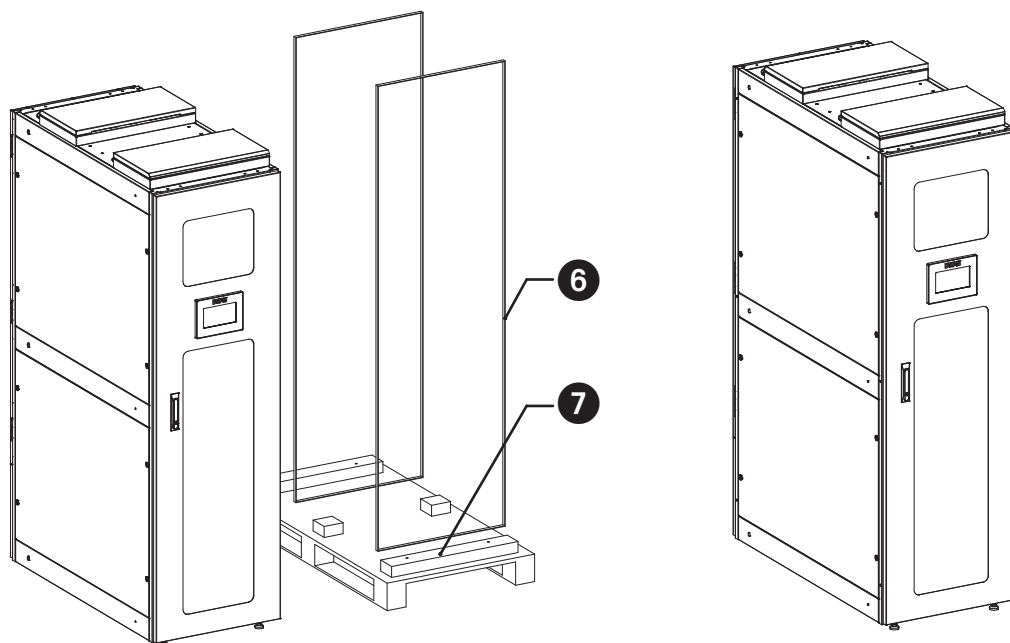


Figure 3-11 Schéma de démontage 2

- ❶ Plaque supérieure - 1 pce
- ❷ Plaque avant - 2 pce
- ❸ Plaque latérale - 2 pce
- ❹ Coton de rembourrage - 12 pce
- ❺ Vis, M8x65 - 4 pce
- ❻ Courroie d'emballage - 2 pce
- ❼ Socle - 1 pce

4 Installation

4.1 Installation de l'appareil

Lorsque vous déplacez l'unité SRCOOL5KWRM42U vers sa destination, utilisez un outil pour ajuster les quatre pieds de support au bas de l'armoire. Tournez les pieds de nivellement dans le sens des aiguilles d'une montre pour soulever l'armoire et dans le sens inverse des aiguilles d'une montre pour l'abaisser. La distance entre le bas de l'armoire et le sol doit présenter une séparation minimale de 2,76 po (70 mm). Cependant, les pieds de réglage peuvent être ajustés si nécessaire pour offrir une stabilisation supplémentaire au support.

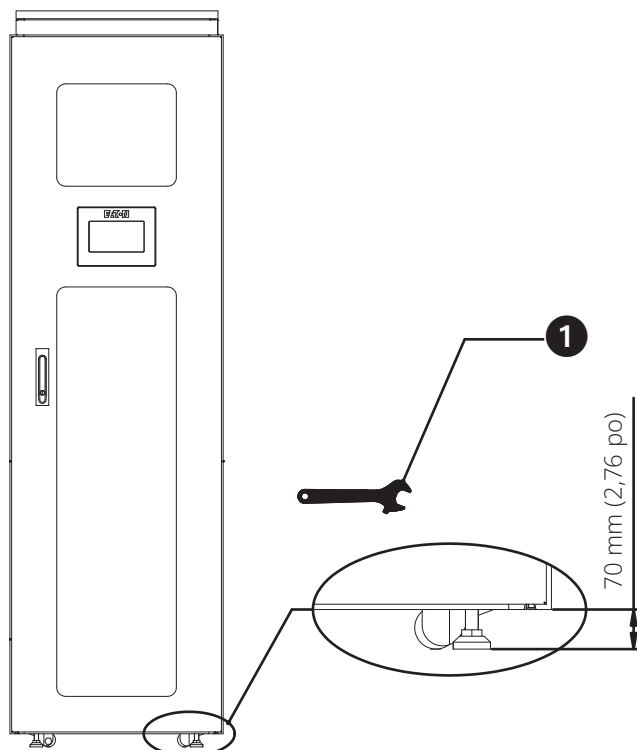


Figure 4-1 Réglage de la semelle de support

- 1 Utilisez une clé ou une clé à molette pour ajuster les pieds.

Remarque : une clé à molette est illustrée ici.

4.1.1 Espace libre pour l'installation

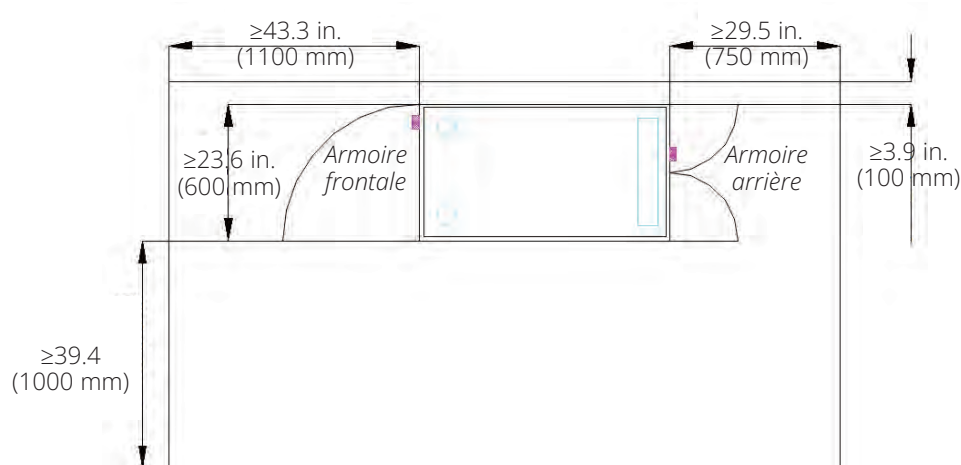


Figure 4-2 Vue du dessus

4 Installation

4.1.2 Installation d'équipement informatique

L'équipement doit être installé de bas en haut, en commençant par la charge thermique la plus élevée en kW au bas du support, au-dessus du panneau d'obturation métallique 3U non amovible. L'équipement informatique ayant la deuxième charge thermique la plus élevée devrait alors être installé au-dessus. Poursuivez ce processus pour chaque charge thermique inférieure installée vers le haut du support.

Tous les espaces en U ouverts restants doivent être dotés d'un panneau d'obturation. Le fait de ne pas installer les panneaux d'obturation peut entraîner un mauvais fonctionnement du système de refroidissement et déclencher les événements d'urgence situés en haut du support.

Si vous avez besoin d'un espace en U ou de plusieurs espaces en U entre les équipements informatiques installés, un ou plusieurs panneaux d'obturation doivent être installés dans ces espaces.

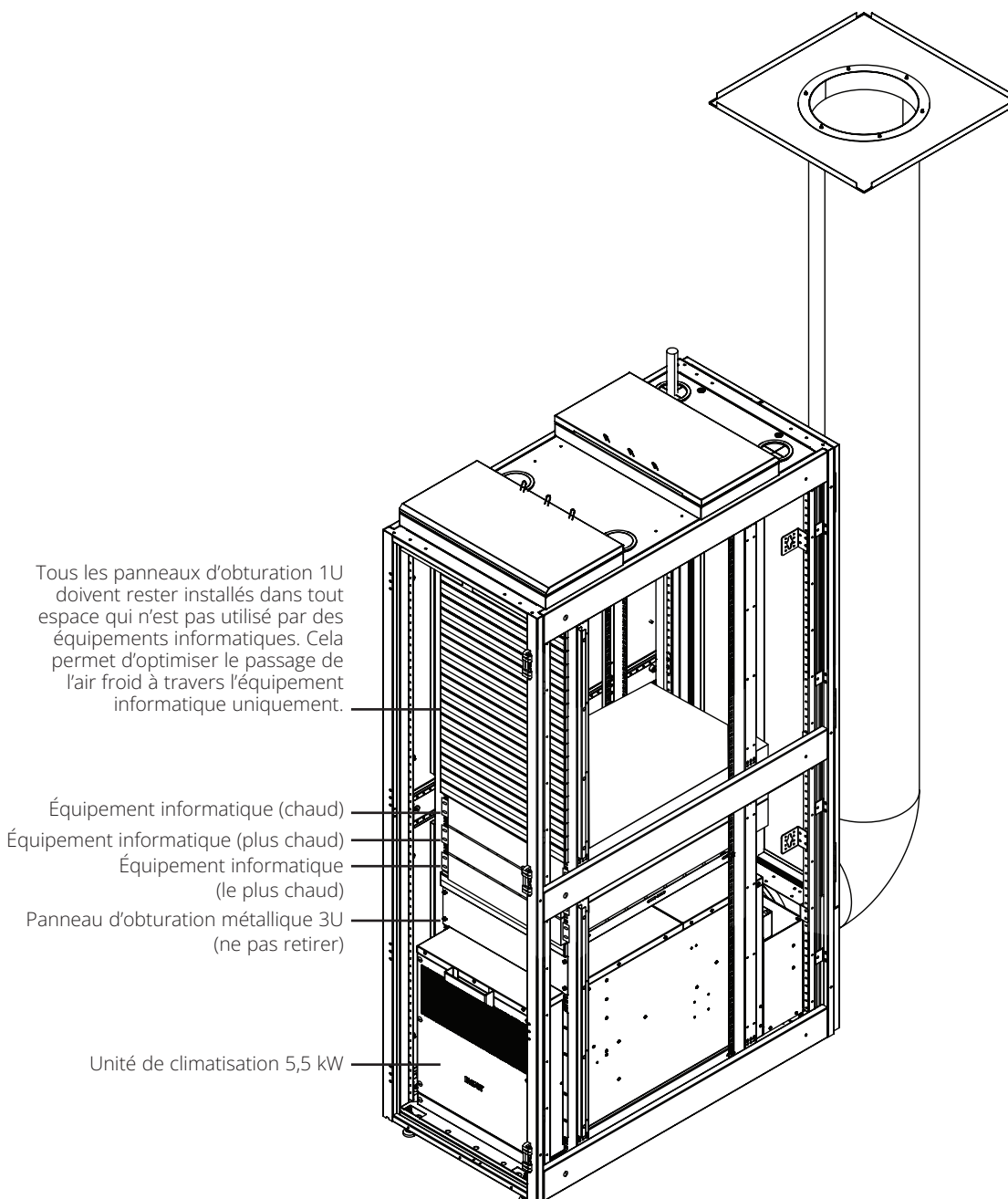


Figure 4-3 Installation de l'équipement informatique et flux d'air

4 Installation

4.2 Connexions électriques

Remarque : Un cordon d'alimentation (en option) est fourni avec l'appareil. Cependant, si l'utilisateur choisit d'alimenter l'appareil par câble, il doit utiliser un fil de cuivre solide adapté à 30 A conformément au code électrique local.

- 1 Cordon d'alimentation
- 2 Entrée du port du câble d'alimentation
- 3 Bornes de connexion d'alimentation (couvercle retiré)
- 4 Port SNMP
- 5 Port RJ45 de la carte Web

Tension	208 V
Phase	1 Ph
Fréquence	60 Hz
Courant de pleine charge (FLA)	18 A
Intensité minimale du circuit (MCA)	22 A
Protection maximale contre les surintensités (MOP), taille du disjoncteur	30 A

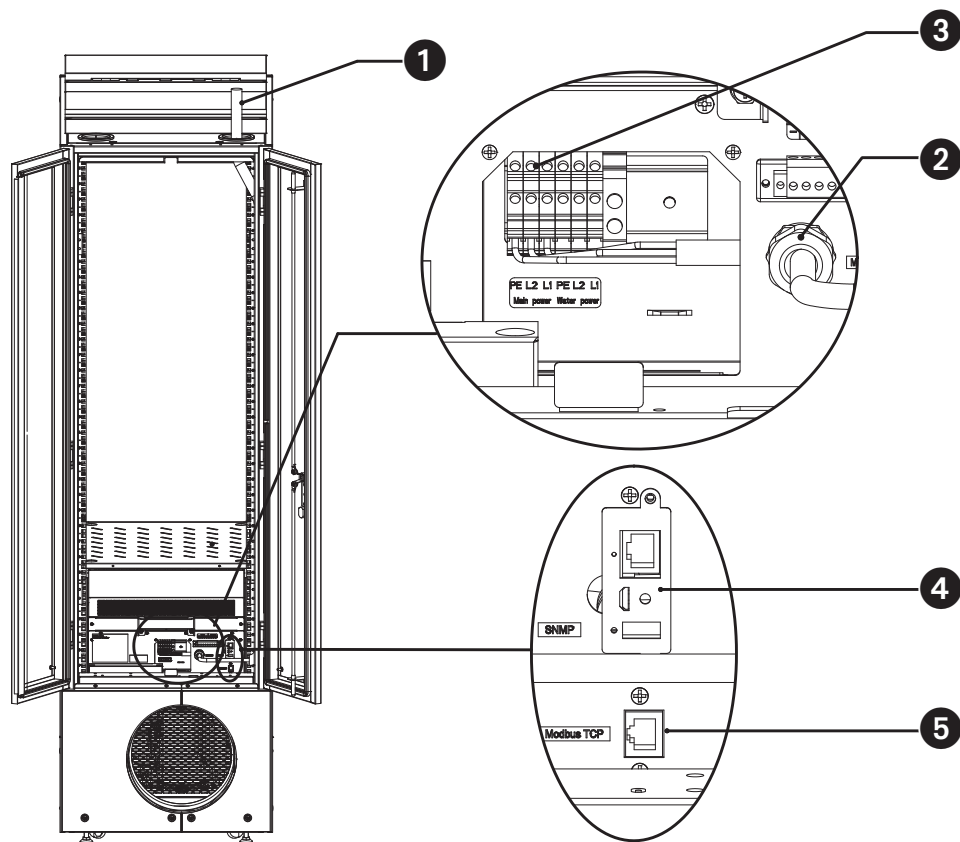
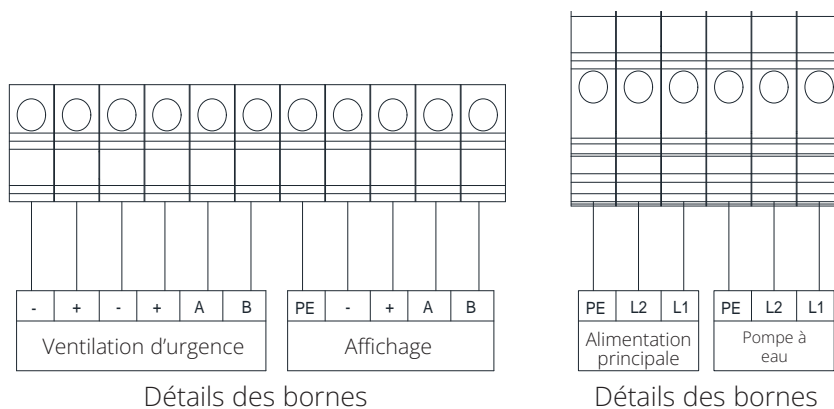


Figure 4-4 Connexions électriques



Remarque : Les couvercles d'urgence et l'affichage sont déjà raccordés au bornier. L'adaptateur mural pour la ventilation d'urgence doit être connecté aux bornes « - » et « + » du côté gauche du bornier de la ventilation d'urgence.

Remarques:

Le raccordement au réseau électrique nécessite l'intervention d'un professionnel qualifié et certifié.

La pompe à eau est déjà connectée à ce bornier.

Figure 4-5 Schémas des borniers

4 Installation

4.3 Installation du conduit d'air chaud

Avant d'installer le conduit d'évacuation, ouvrez d'abord la porte arrière de l'armoire et retirez le couvercle d'entretien **4** situé sous la porte arrière.

Fixez le collier sur le conduit d'évacuation **2** **3**, puis attachez-le à l'interface du conduit d'évacuation **5** au bas de l'appareil. Ajustez le collier de serrage au bas de l'interface du conduit d'évacuation d'environ 20 mm (0,8 po) et verrouillez le collier de serrage.

À l'autre extrémité du conduit d'évacuation, sur le panneau de plafond de la sortie d'air, déplacez le collier vers le bas du panneau de plafond de la sortie d'air d'environ 20 mm (0,8 po) et verrouillez le collier de serrage.

Enfin, fixez l'adaptateur pour plafond **1** sur le support de plafond et réinstallez le couvercle d'entretien à l'arrière de l'armoire pour terminer l'installation du conduit d'air chaud.

1 Adaptateur de sortie d'air pour plafond

2 Collier (à fixer aux deux extrémités du conduit d'évacuation)

3 Conduit d'évacuation d'air chaud
(13,3 pi. / 4053 mm)

4 Couvercle d'entretien

5 Interface avec le conduit d'évacuation

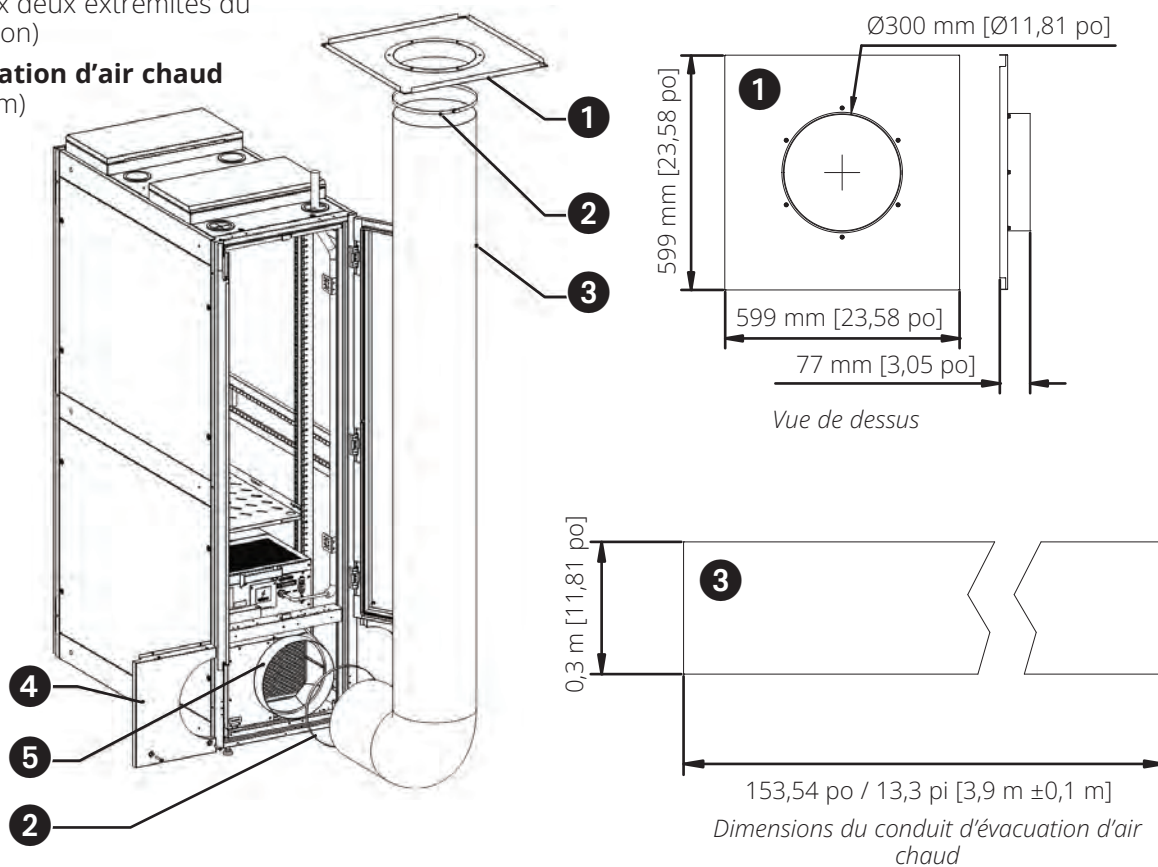


Figure 4-6 Assemblage du conduit d'évacuation

4 Installation

4.4 Élimination des condensats

L'unité dispose de trois méthodes de drainage : l'eau évaporée, le drainage par pompe et le drainage par gravité. Chaque méthode de drainage est décrite en détail ci-dessous.

4.4.1 Introduction aux pièces d'évacuation des condensats pour le climatiseur

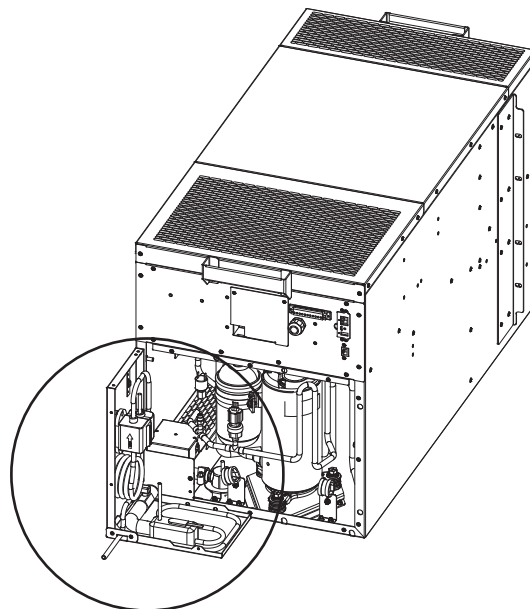


Figure 4-7 Assemblage du condensat

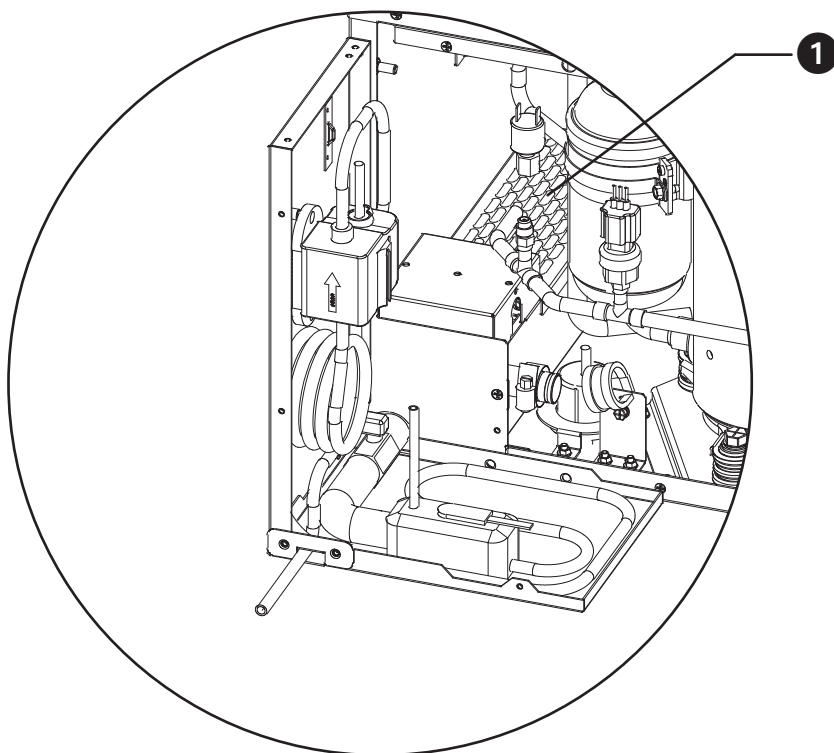


Figure 4-8 Bac à eau en évaporation et chaufferette

4 Installation

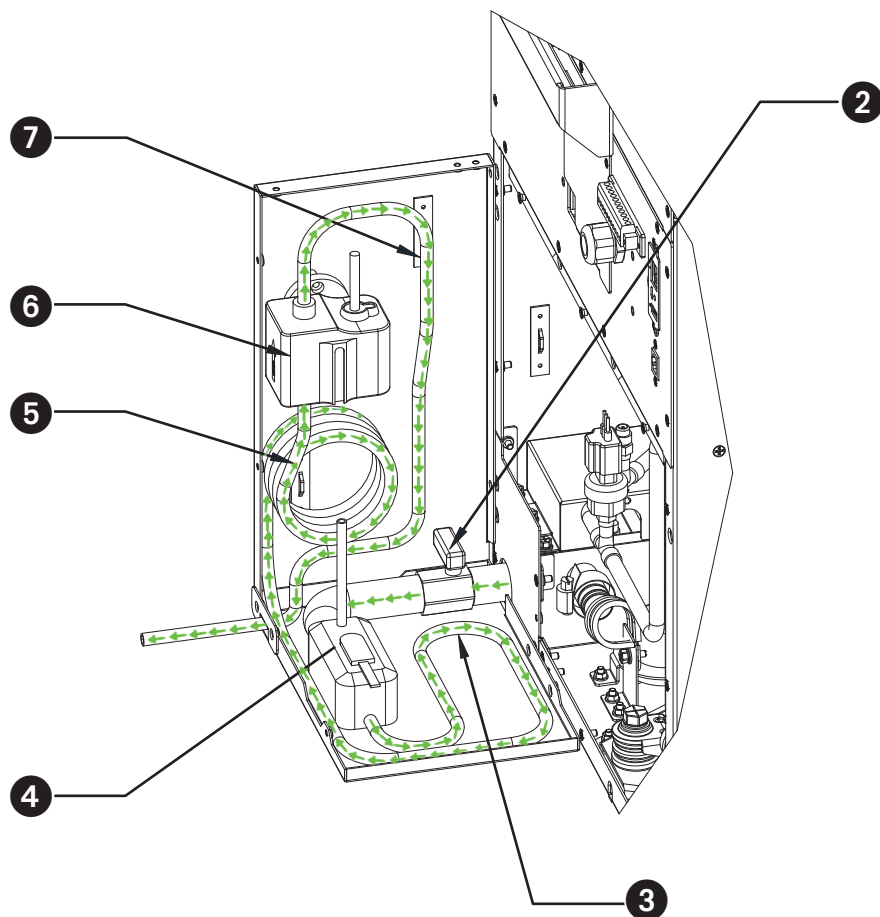


Figure 4-9 Trajet d'écoulement de l'eau et introduction des pièces de l'assemblage de la pompe

- ① Chauffe-eau à évaporation
- ② Vanne d'eau (montrée fermée)
- ③ Tube 1 : Sortie de la boîte à eau / entrée de la pompe à eau
- ④ Boîte à eau
- ⑤ Tube 1 : Sortie de la boîte à eau / pompe à eau
- ⑥ Pompe à eau
- ⑦ Tube 2 : Sortie de la pompe à eau / sortie de l'unité

4 Installation

4.4.2 Méthode d'évaporation de l'eau (par défaut)

L'appareil que vous avez reçu est réglé par défaut sur cette méthode d'élimination de l'eau et aucun changement n'est nécessaire si vous souhaitez utiliser cette méthode. Dans cette méthode d'élimination de l'eau par évaporation, la vanne d'eau est fermée et la pompe ne fonctionne pas. La vapeur d'eau évaporée quitte l'unité de refroidissement par l'interface du conduit circulaire arrière et se dirige vers le conduit d'air chaud.

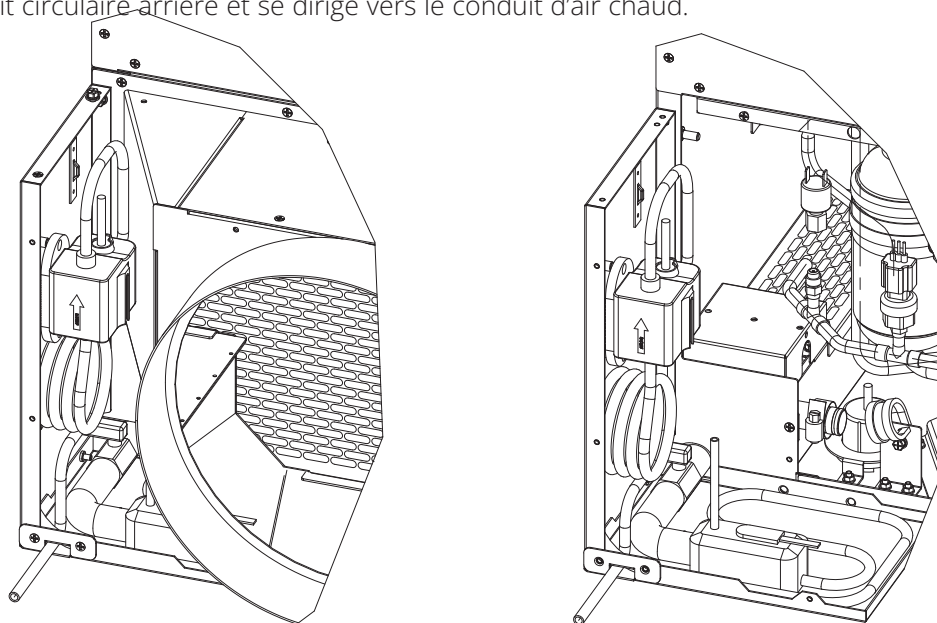


Figure 4-10 Drainage par évaporation

4.4.3 Méthode de drainage de la pompe

Le drainage de la pompe peut être divisé en drainage ascendant et en drainage descendant.

4 Installation

4.4.3.1 Sortie de pompe avec drainage ascendant

Pour l'évacuation de l'eau vers le haut, raccordez d'abord un tuyau / tube prolongé à la sortie « Tube 2 » dans le sens de la montée et fixez le tuyau / tube prolongé au cadre vertical de l'armoire à l'aide de colliers de serrage. Une fois le tuyau/tube allongé positionné à son emplacement définitif, ouvrez la « Vanne d'eau » en alignant la poignée dans la même direction que le tube auquel elle est attachée. Pour de plus amples renseignements sur l'emplacement du « Tube 2 » et de la « Vanne d'eau », reportez-vous à la figure 4-9.

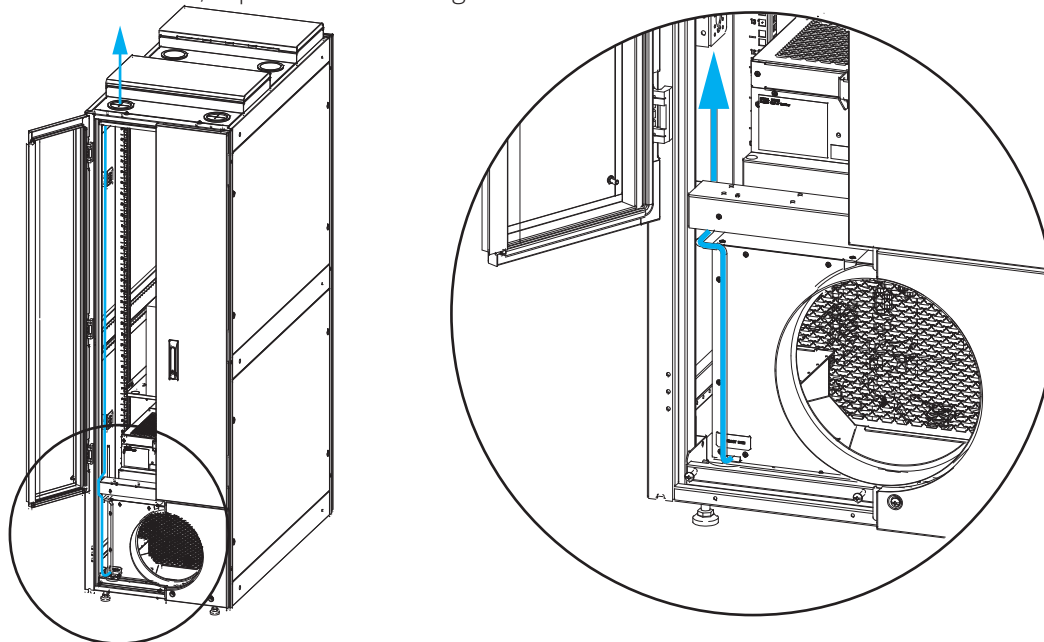


Figure 4-11 Drainage de la pompe Drainage ascendant

4.4.3.2 Sortie de pompe Drainage descendant

Si vous choisissez de vidanger vers le bas, acheminez d'abord le Tube 2 le long de la traverse inférieure du cadre de la porte, en prolongeant le tuyau d'eau à travers le trou de $\Phi 14$ sur le côté droit de la traverse inférieure pour vidanger. Ouvrez ensuite la « Vanne d'eau » en alignant la poignée dans la même direction que le tube auquel elle est attachée. Pour de plus amples renseignements sur l'emplacement du « Tube 2 » et de la « Vanne d'eau », reportez-vous à la figure 4-9.

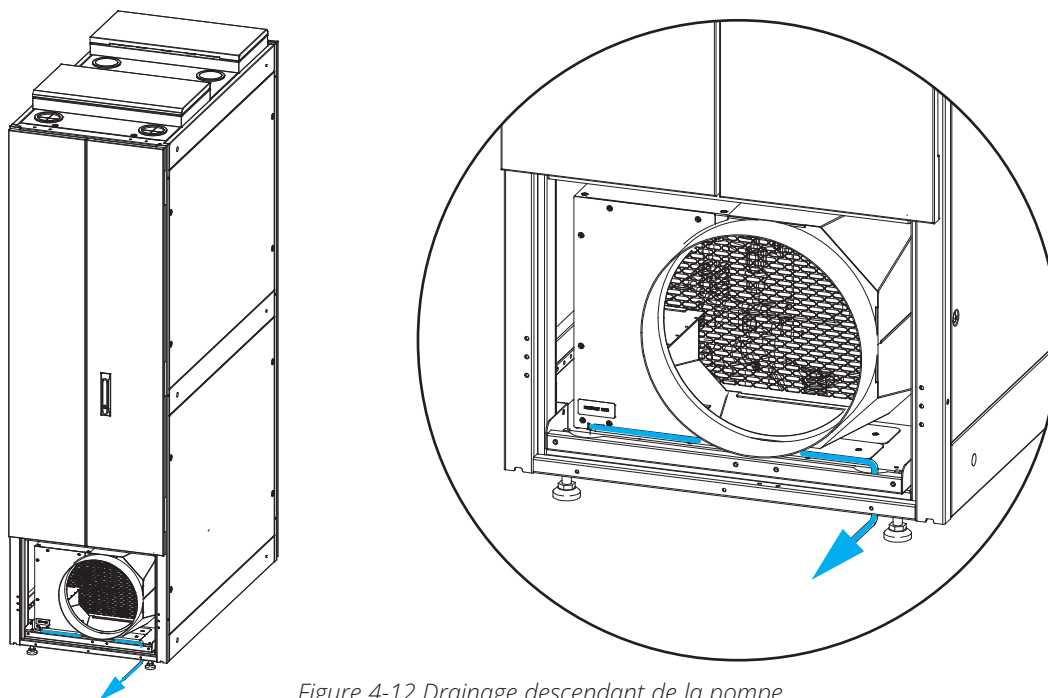


Figure 4-12 Drainage descendant de la pompe

4 Installation

4.4.4 Drainage par gravité

Lorsque vous choisissez le drainage par gravité :

1. Retirez le couvercle arrière de maintenance.
2. Débranchez le tuyau d'entrée de la pompe à eau et tirez-le jusqu'à l'extérieur pour l'évacuation.
3. Ouvrez la vanne d'eau.

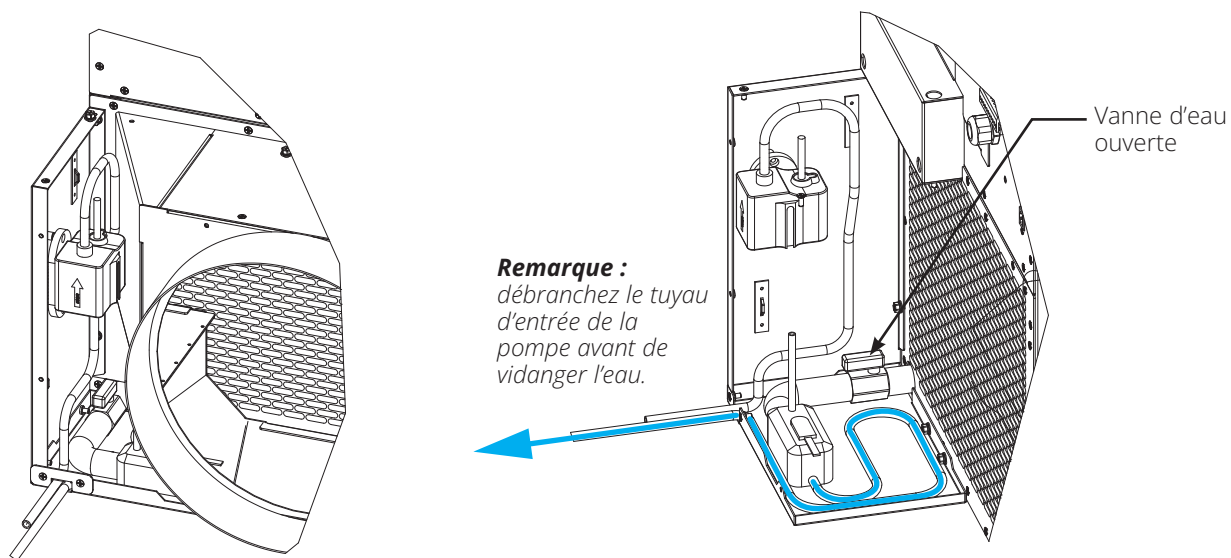


Figure 4-13 Drainage par gravité

4 Installation

4.5 Communication

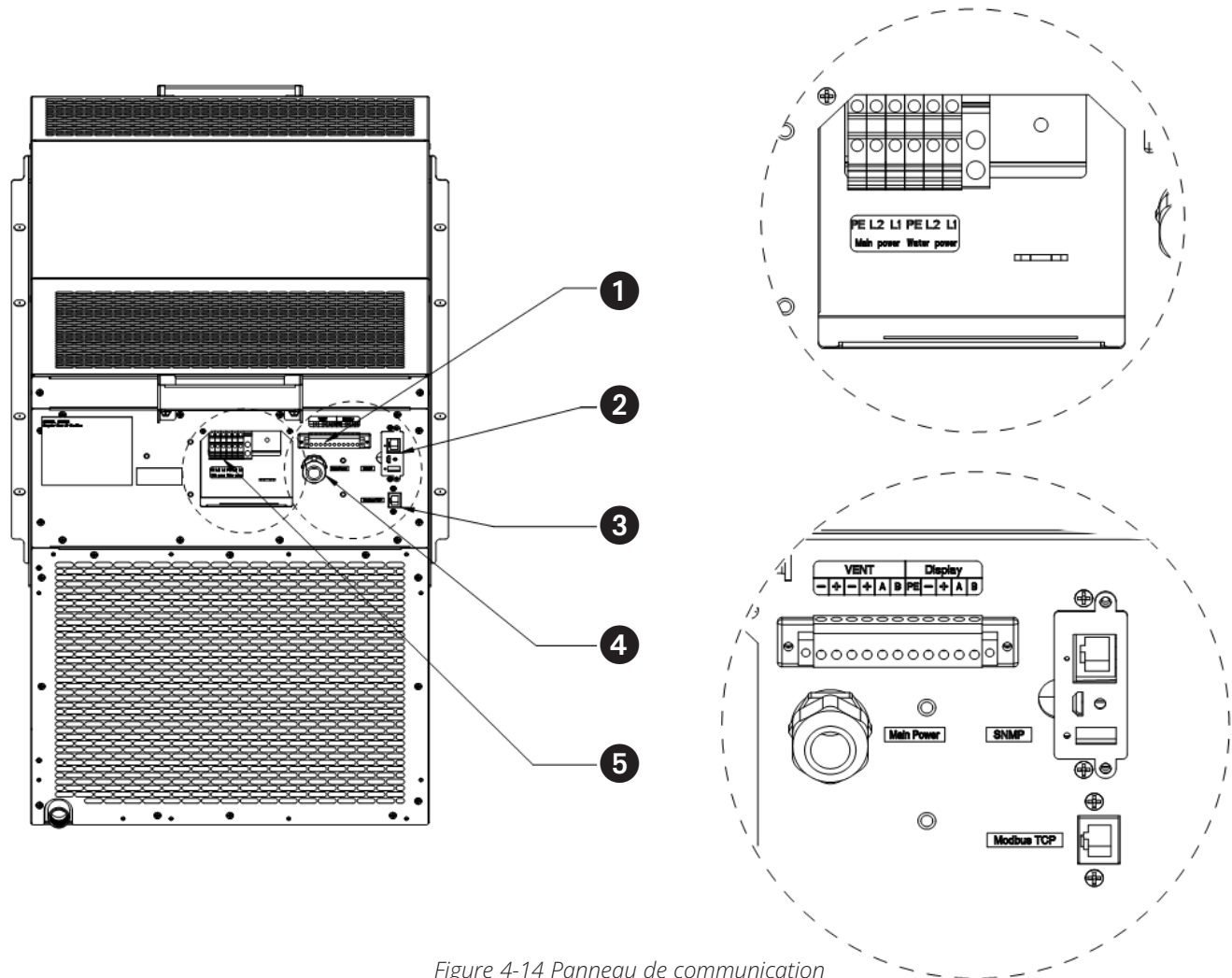


Figure 4-14 Panneau de communication

- ❶ Ventilation d'urgence et terminaux d'affichage
- ❷ Port SNMP
- ❸ Port Modbus TCP
- ❹ Port du câble d'alimentation principal*
- ❺ Borne d'alimentation principale et de pompe à eau

* Un cordon d'alimentation optionnel de 12 pi (3,7 m) avec une prise L6-30 est inclus. Veuillez contacter l'équipe d'ingénieurs avant-vente d'Eaton pour obtenir un numéro de pièce de rechange pour l'installation du cordon d'alimentation.

4 Installation

4.6 Ensemble de ventilation d'urgence

Les deux couvercles de ventilation d'urgence sont déjà connectés à l'unité de refroidissement. Cependant, pour mettre sous tension l'électroaimant de ces deux couvercles, l'adaptateur mural doit d'abord être connecté au bornier de ventilation d'urgence (reportez-vous à la section **4.2 Connexions électriques** pour plus de détails).

Si le SRCOOL5KWRM fonctionne mal en raison d'une panne de courant et que la température interne du support atteint 40°C (104°F), le cache de ventilation d'urgence est doté de capteurs thermiques qui déclenchent l'ouverture du couvercle, ce qui permet à l'air chaud à l'intérieur du support de s'échapper de ce dernier. Une alerte SNMP via la télégestion du SRCOOL5KWRM vous informera de l'ouverture de l'événement.

Une fois l'armoire installée, le couvercle amovible situé au-dessus de l'ensemble de ventilation d'urgence doit être ouvert. Pour s'assurer que l'armoire est correctement installée et que le câble d'alimentation du climatiseur est correctement branché, mettez le climatiseur sous tension et démarrez-le. Attendez un moment, puis appuyez manuellement sur le couvercle amovible de l'ensemble de ventilation d'urgence jusqu'à ce que l'électroaimant situé au-dessus de l'ensemble de ventilation d'urgence soit attiré par le bloc de fer. Les composants de la ventilation d'urgence sont maintenant installés.

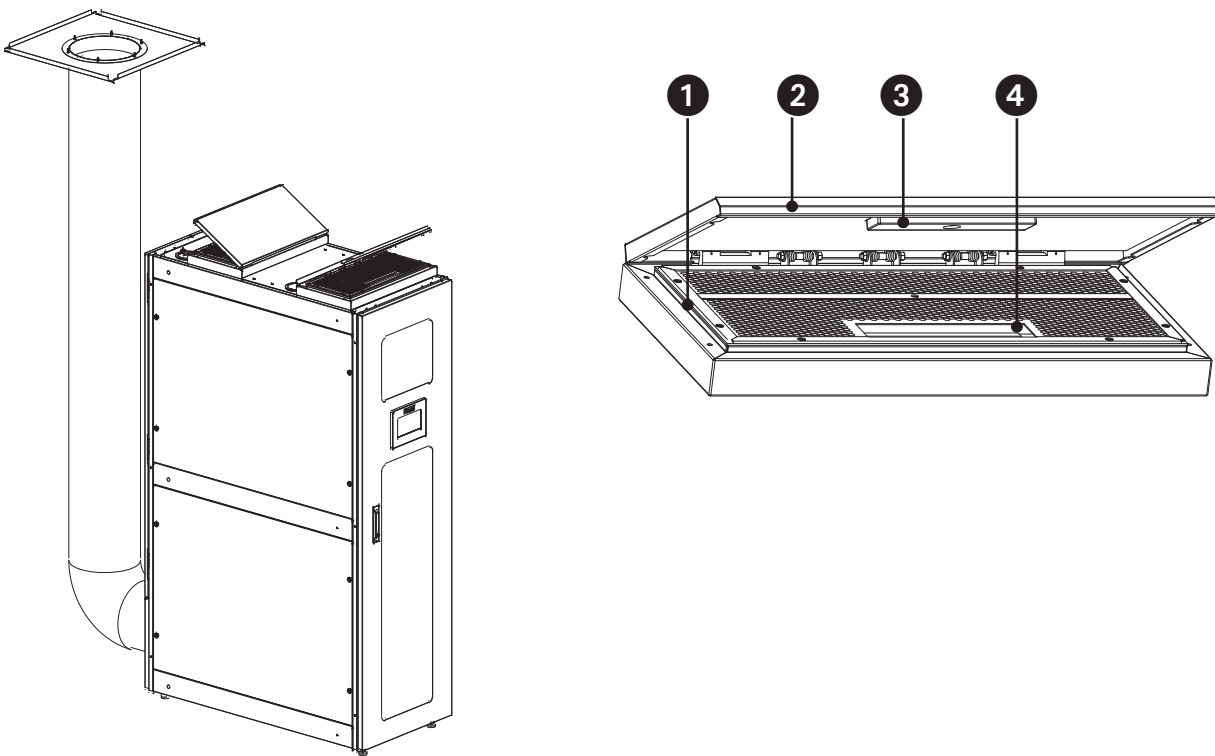


Figure 4-15 Assemblage de la ventilation d'urgence

- ❶ Ordinateur central
- ❷ Plaque-couvercle mobile
- ❸ Bloc de fer
- ❹ Electroaimant

5 Fonctionnement

5.1 Démarrage

Passer en revue les instructions d'installation et vérifier les éléments ci-dessous :

- Inspection visuelle de sécurité.
- Dégagements pour l'entretien.
- Tous les accessoires sont installés.

Examiner le câblage électrique et les connexions et s'assurer qu'ils sont sécuritaires, installés correctement et conformes au code :

- La puissance d'entrée se situe à l'intérieur de la plage de la plaque signalétique.
- Taille des disjoncteurs et des fusibles.

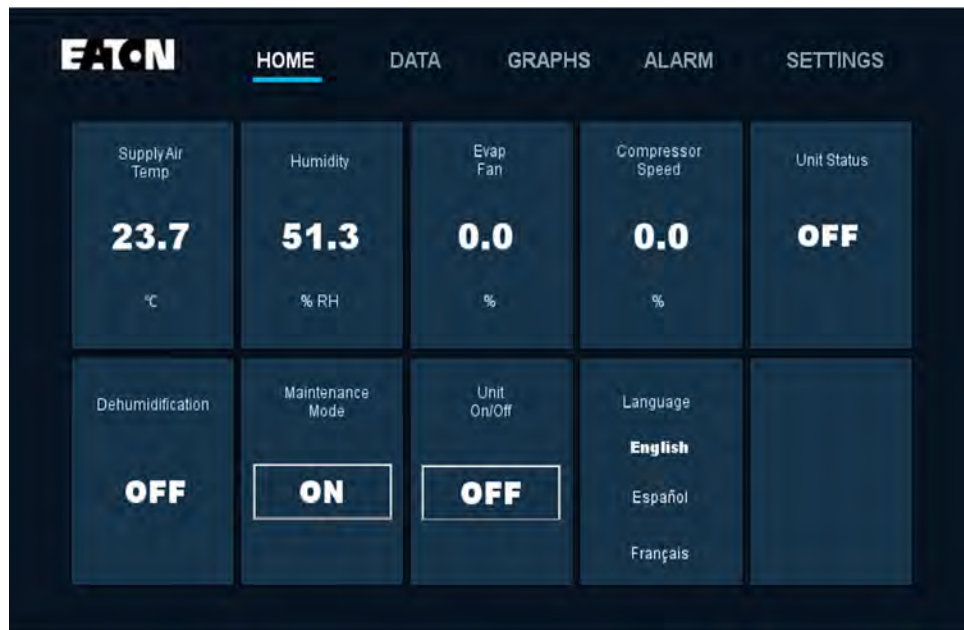


Figure 5-1 Écran d'accueil

Mettez le refroidisseur en marche à l'aide du bouton On/Off (marche/arrêt) de l'écran d'accueil (page d'accueil).

Attendez environ 20 minutes pour que l'appareil se stabilise dans l'environnement de fonctionnement. Accédez ensuite aux écrans de données et de graphiques (voir ci-dessus) pour observer et enregistrer les éléments suivants :

- Le refroidissement est actif et le compresseur s'enclenche (o/n).
- Données de sous-refroidissement.
- Basse pression.
- Haute pression.
- Température d'évaporation.
- Température de condensation.

Ces informations sont utiles si un dépannage est nécessaire.

5 Fonctionnement

5.2 Page d'accueil

Le menu de la page d'accueil affiche les données d'entrée numérique et les données de sortie numérique.

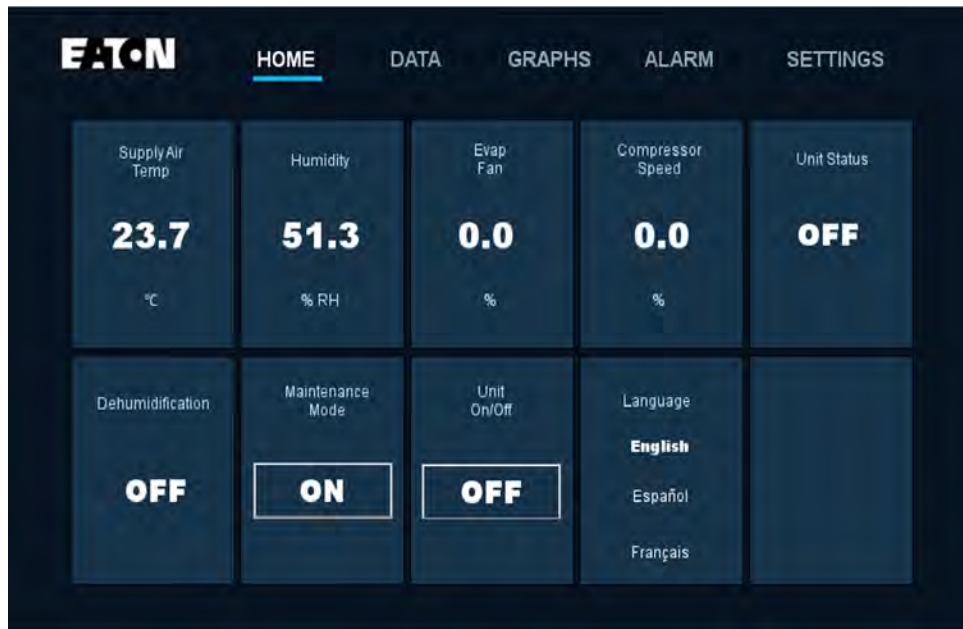


Figure 5-2 : Page d'accueil

- **Supply Air Temp**: la température actuelle de l'air soufflé.
- **Dehumidify** : état du système de déshumidification. Il affichera « ON » lorsque l'humidité de l'air de reprise excède le réglage de l'humidité + la plage d'humidité.
- **Fan** : la vitesse totale actuelle du ventilateur exprimée en pourcentage du débit d'air cumulatif maximum.
Remarque : si la vitesse maximale du ventilateur est réglée sur 80 % par exemple, l'écran d'accueil n'affichera que 80 %.
- **Compressor Speed** : la vitesse actuelle du compresseur en pourcentage en fonction de la demande du système.
- **Maintenance Mode** : le bouton de commande pour activer/désactiver le mode d'entretien. (Doit être activé dans les réglages de l'utilisateur.) Consulter la section Mode d'entretien pour plus d'informations.
- **Unit Cooler On/Off** : le bouton de commande pour mettre le climatiseur sous tension et hors tension.
- **Unit Status** : l'état de refroidissement actuel du climatiseur, en particulier si le compresseur est engagé. L'état du climatiseur est sous tension lorsque le compresseur fonctionne et en attente lorsque le compresseur est hors tension.
Remarque : En mode veille, les ventilateurs peuvent tourner pour faire circuler l'air.
- **Language** : la sélection de la langue pour l'interface utilisateur.

5 Fonctionnement

5.3 Paramètres

Les paramètres sont divisés en trois parties. De la plus faible à la plus élevée des permissions, on retrouve les paramètres de l'utilisateur, les paramètres d'entretien et les paramètres d'usine.



Figure 5-3 Paramètres

Paramètres	Description	Remarques
Temp Setting	La température souhaitée de l'air soufflé.	Si le mode de contrôle est réglé à Return Air (air de reprise), ce réglage devient « Return Air Temp » (température de l'air de reprise).
Humidity Setting	L'humidité relative cible du système de déshumidification.	Le refroidisseur ne peut pas ajouter d'humidité à l'air.
High Temp Alarm Band	Si la température de décharge est inférieure à cette valeur, une alarme est déclenchée.	Si le mode de commande est configuré à Return Air (air de reprise), ce réglage DOIT être AJUSTÉ pour être plutôt basé sur la température de l'air de reprise.
Hystérésis de l'alarme d'humidité élevée	Si l'humidité de l'air de reprise excède le réglage de l'humidité + le réglage de la plage pour l'humidité élevée, une alarme est déclenchée. Par exemple, si le réglage de l'utilisateur pour l'humidité est 50 % et que l'utilisateur souhaite que l'alarme d'humidité élevée soit déclenchée lorsque l'HR est 80 %, ce réglage doit être configuré à 30 %. Si le mode de déshumidification est activé, une alarme d'humidité élevée activera le mode de déshumidification.	
Restart Delay Time	Délai du redémarrage après le rétablissement de l'alimentation. En cas de coupure de courant, le refroidisseur redémarrera automatiquement après ce délai.	
Mode de contrôle : Supply Air (par défaut)	La stratégie de la commande de refroidissement est basée sur la température de l'air soufflé. Return air : la stratégie de la commande de refroidissement sera basée sur la température de l'air aspiré.	Si la charge est inférieure à 30 % de la capacité de refroidissement nominale, ce qui peut occasionner un cycle marche/arrêt fréquent du refroidisseur, il est recommandé de définir le mode de contrôle à « Return Air » (air de reprise). Sinon, définir le mode de contrôle à « Supply Air » (air fourni).

5 Fonctionnement

Mode de contrôle

Il existe deux méthodes principales de contrôle de l'unité : le contrôle de la température de l'air soufflé et le contrôle de la température de l'air de reprise. Les scénarios d'application sont les suivants : la régulation de la température de l'air soufflé est utilisée lorsque la charge de l'armoire est faible. Par exemple, lorsque la charge de fonctionnement est comprise entre 10 % et 40 % de la charge de l'armoire, un contrôle de la température de l'air soufflé est recommandé. Lorsque la charge de fonctionnement est supérieure à 40 %, nous recommandons d'utiliser le contrôle de la température de l'air de reprise. Sinon, il y aura une situation répétée de démarrage et d'arrêt de l'unité.

Activer l'entretien	Permet d'activer le mode d'entretien depuis l'écran d'accueil.	Cela permet d'activer le mode entretien depuis la page d'accueil sans mot de passe.
Temp Control Band	Il est recommandé de laisser ce réglage par défaut à 3 °C (35,4 °F) sauf dans les situations de petits débits. Si la charge informatique est inférieure à la capacité minimum du refroidisseur ou si la charge informatique change souvent, régler à une plage supérieure pour garder la température ambiante stable. Une plage supérieure peut aider à réduire le nombre de cycles marche/arrêt du compresseur. Pour ce faire, le réglage recommandé est de 3 °C à 6 °C (5,4 °F à 10 °F). Si la charge informatique est supérieure à la capacité minimum du climatiseur ou si la charge informatique est stable, considérer régler la plage à son réglage par défaut ou même à un réglage inférieur pour optimiser la précision de la température. Réglage recommandé : (2 ° à 3 °C (3,6 °F à 5,4 °F)).	
Upper humid control band	La plage permise au-delà du réglage de l'humidité. Par exemple, un delta de 20 % d'HR à un réglage de l'humidité de 50 % d'HR signifierait que le cycle de déshumidification serait amorcé lorsque l'humidité est supérieure à 70 % d'HR.	
Low Temp Alarm Band	Si la température de décharge chute en deçà de cette valeur, une alarme est déclenchée.	Si le mode de commande est configuré à Return Air (air de reprise), ce réglage DOIT être AJUSTÉ pour être plutôt basé sur la température de l'air de reprise.
Durée de l'entretien	Durée du mode d'entretien. Si l'utilisateur ne désactive pas le mode d'entretien depuis l'écran d'accueil, le climatiseur passera automatiquement en fonctionnement normal après cette période.	
Date et heure	Date : aaaa/mm/jj Heure : 24 heures hh/mm/ss	
Mot de passe	Permet à l'utilisateur de changer le mot de passe.	

5.4 Mode d'entretien

Depuis l'écran d'accueil, cliquer sur le bouton on/off (marche/arrêt) du Maintenance Mode (mode d'entretien). Le mode d'entretien ajuste temporairement la puissance de refroidissement à 100 % pour évacuer rapidement la chaleur du bâtiment et assurer un meilleur confort lors de l'entretien du matériel informatique. Aucun mot de passe n'est requis. Le système revient en mode automatique après 30 minutes. Pour empêcher l'utilisation de cette fonction, désactivez le mode Maintenance dans les paramètres utilisateur.

5 Fonctionnement

5.5 Menu des données

Le menu des données permet aux utilisateurs et aux techniciens de surveiller les paramètres avancés (lecture seule).



Figure 5-4 Menu des données

5.6 Menu des graphiques

Le menu des graphiques permet aux utilisateurs ou aux techniciens d'afficher les tendances historiques des points de données suivants :

- Température d'alimentation
- Température de retour
- Humidité
- Basse pression d'aspiration
- Pression de décharge élevée

5 Fonctionnement

5.7 Menu des alarmes

Les alarmes générées seront enregistrées dans le menu des alarmes. Elles seront également affichées dans une bannière qui défile dans la partie supérieure de l'écran d'accueil.

Les alarmes résolues et/ou annulées seront effacées du menu des alarmes actuel et enregistrées dans l'historique des alarmes (par exemple, une température élevée a été détectée, mais s'est depuis dissipée).

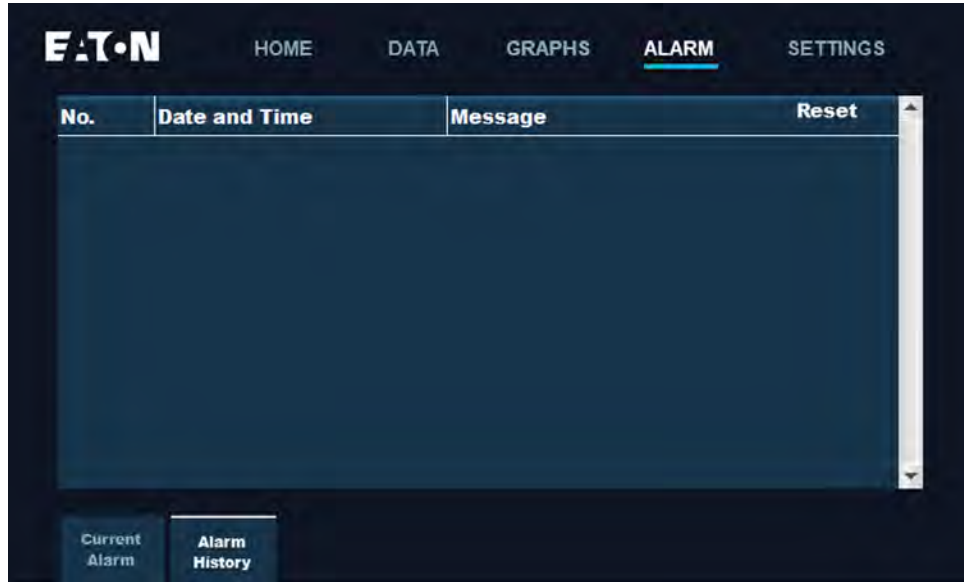


Figure 5-5 Menu Alarme

5 Fonctionnement

Exportation des enregistrements d'alarme

L'historique des alarmes peut être exporté vers un fichier de valeurs séparées par des virgules (CSV) à l'aide du port USB-A situé sur le panneau arrière de l'écran.

Pour exporter l'historique des alarmes vers une clé USB :

1. Préparez la clé USB en formatant une clé USB vide.

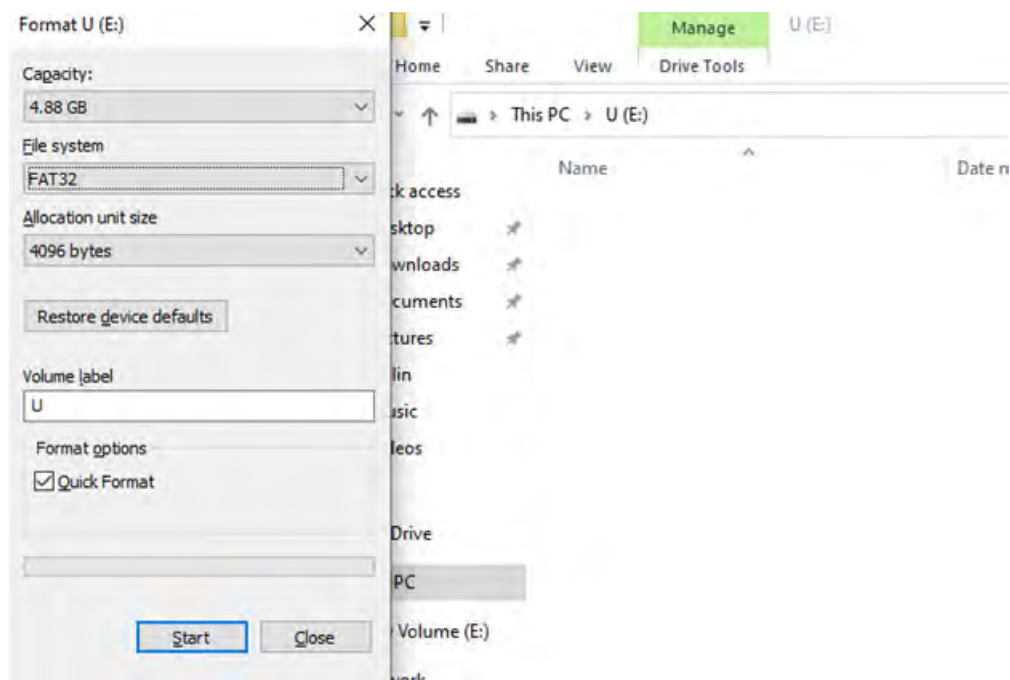


Figure 5-6 : formatage d'une clé USB

Remarque : le système de fichiers sélectionne FAT32 par défaut. Si la clé USB possède déjà le système de fichiers FAT32, il n'est pas nécessaire de la formater.

2. Insérez la clé USB dans le port USB-A situé à l'arrière de l'écran

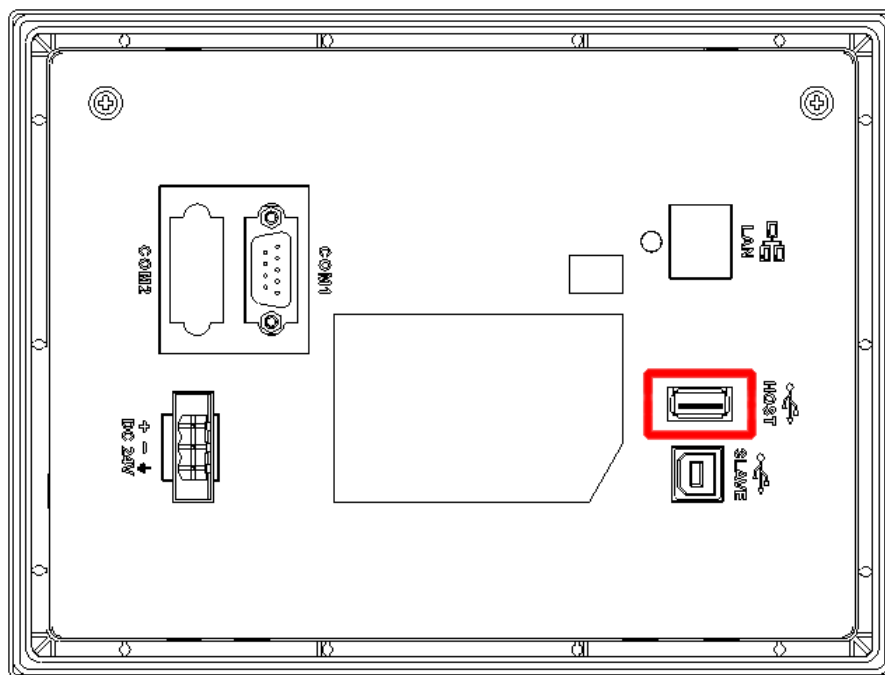


Figure 5-7 : emplacement du port USB-A

5 Fonctionnement

3. Appuyez sur le bouton « ALARME » de l'écran, puis sur l'onglet « Historique des alarmes ».

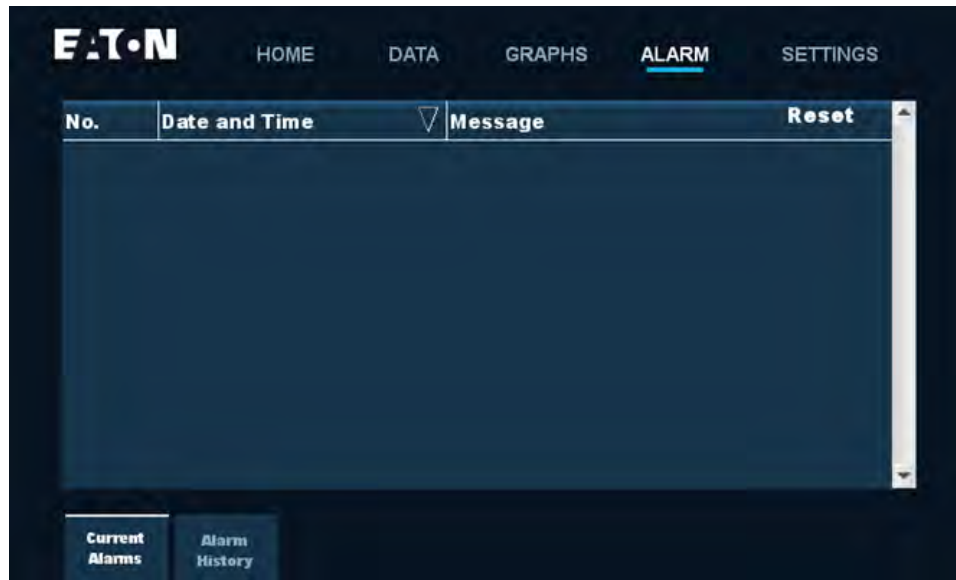


Figure 5-8 : menu principal des alarmes

4. L'historique des alarmes s'affichera à l'écran. Appuyez sur le bouton « Exporter les alarmes » pour exporter les enregistrements d'alarme vers un fichier CSV sur la clé USB.



Figure 5-9 : exportation des alarmes

5. Une fois l'exportation terminée, retirez la clé USB-A du panneau arrière et insérez la clé USB dans un ordinateur.

5 Fonctionnement

6. Ouvrez la clé USB sur votre ordinateur. Un dossier « Clé USB → HMI → HMI-000 → @HMI00000 → Alarme → CSV » devrait être répertorié.

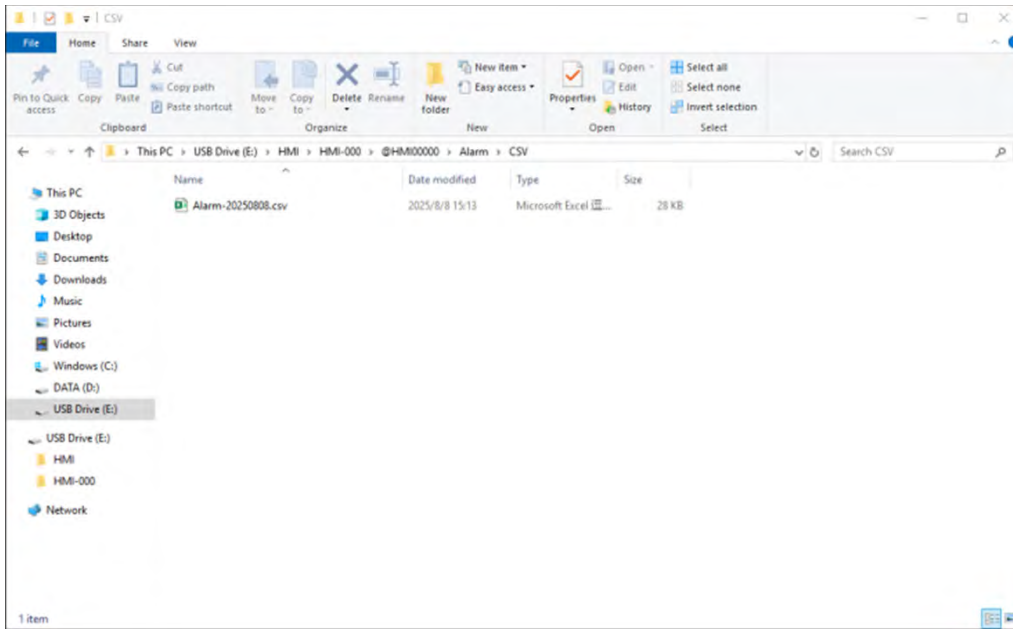


Figure 5-10 : liste des fichiers de la clé USB

7. Ouvrez le fichier « alarm-*****.csv » avec Excel pour visualiser les enregistrements d'alarme exportés.

Alarm No.	Message	Trigger Time	ACK Time	Recovery Time	Frequency	Group No.
3	HP/HD Switch	2025/8/8 15:08:10			1	1
5	Suction Pressure Sensor Failure	2025/8/8 15:08:10			1	1
6	Discharge Pressure Sensor Failure	2025/8/8 15:08:10			1	1
7	Suction Temperature Sensor Failure	2025/8/8 15:08:10			1	1
8	Supply Temperature Sensor Failure	2025/8/8 15:08:10			1	1
9	Return Temperature Sensor Failure	2025/8/8 15:08:10			1	1
10	Return Humidity Sensor Failure	2025/8/8 15:08:10			1	1
11	Liquid Pipe Temperature Sensor Failure	2025/8/8 15:08:10			1	1
3	HP/HD Switch	2025/8/8 15:11:30		2025/8/8 15:12:28	2	1
5	Suction Pressure Sensor Failure	2025/8/8 15:11:30		2025/8/8 15:12:07	2	1
6	Discharge Pressure Sensor Failure	2025/8/8 15:11:30		2025/8/8 15:12:19	2	1
7	Suction Temperature Sensor Failure	2025/8/8 15:11:30		2025/8/8 15:12:28	2	1
8	Supply Temperature Sensor Failure	2025/8/8 15:11:30		2025/8/8 15:12:31	2	1
9	Return Temperature Sensor Failure	2025/8/8 15:11:30		2025/8/8 15:12:22	2	1
10	Return Humidity Sensor Failure	2025/8/8 15:11:30		2025/8/8 15:12:19	2	1
11	Liquid Pipe Temperature Sensor Failure	2025/8/8 15:11:30		2025/8/8 15:12:31	2	1

Figure 5-11 : exportation des enregistrements d'alarme au format CSV

5 Fonctionnement

5.8 Réinitialisation d'usine

Une option permettant de réinitialiser le système de refroidissement aux paramètres d'usine est disponible dans le menu Paramètres.



Figure 5-12 Réinitialisation d'usine

6 Maintenance

6.1 Remplacement du filtre du condenseur

L'installation du filtre du condenseur est illustrée dans le schéma ci-dessous.

Ouvrez la porte avant de l'armoire. Retirez les caches en plastique **1**, les vis M4x12 **2**, et les vis M4x25 **3** à l'avant du climatiseur. Retirez l'ensemble du filtre à la main **6**, puis retirez les vis à tête fraisée M4x12 pour le détacher du support de la crépine **5**. Nettoyez le filtre existant ou remplacez-le par un filtre neuf. Procédez en sens inverse pour fixer le filtre à l'avant du climatiseur.

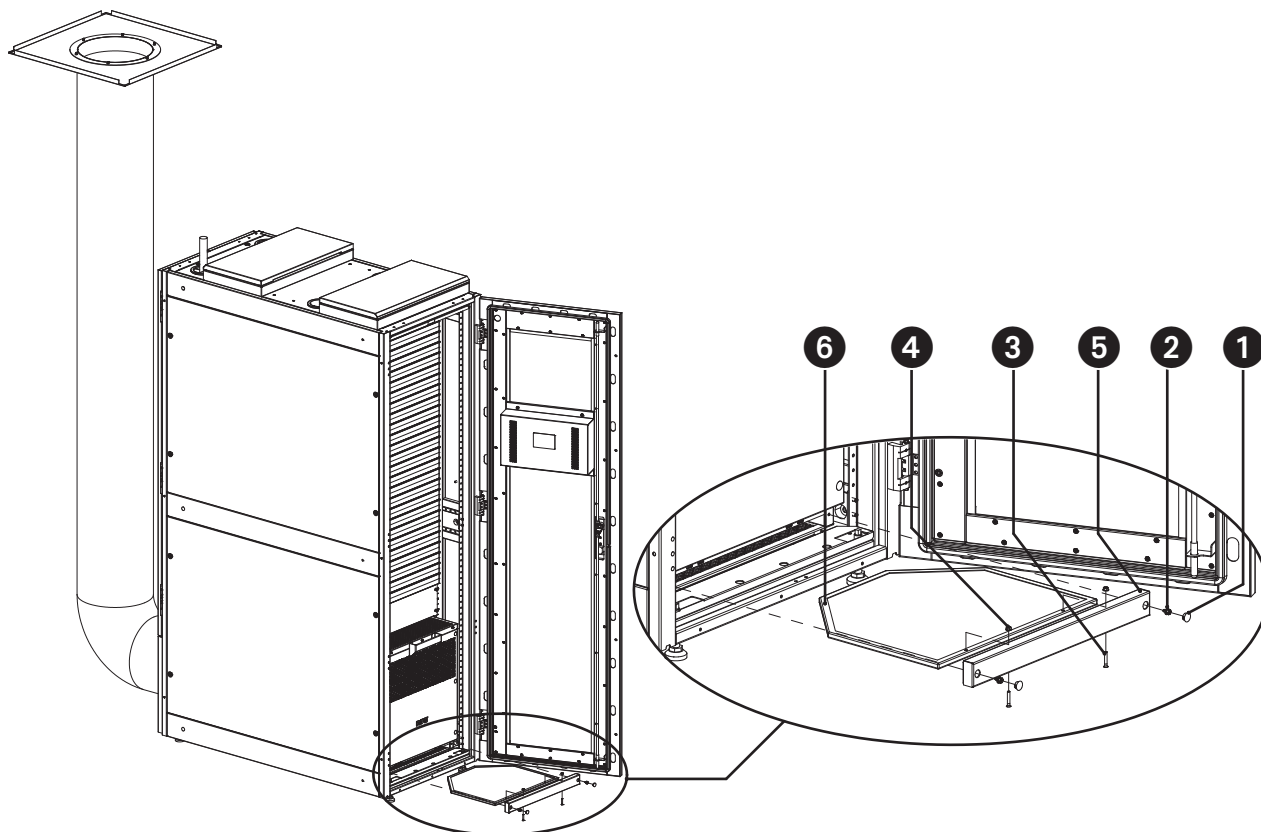


Figure 6-1 Remplacement du filtre du condenseur

- 1** Couvercle en plastique
- 2** Vis M4x12
- 3** Vis M4x25
- 4** Écrou M4
- 5** Support de la crépine
- 6** Crépine

6 Entretien

6.2 Remplacement du filtre de l'évaporateur

L'emplacement du filtre de l'évaporateur est indiqué dans le schéma ci-dessous.

Ouvrez la porte arrière de l'armoire. Retirez les caches en plastique **1** **3**, puis les deux vis M4x12. Retirez ensuite le support du filtre. Sur la partie inférieure du filtre, retirez les vis à tête fraisée M4x20 et les deux écrous à bride M4, remplacez-les par le filtre neuf, puis remettez en place les vis retirées. Procédez en sens inverse pour fixer le filtre à l'avant du climatiseur.

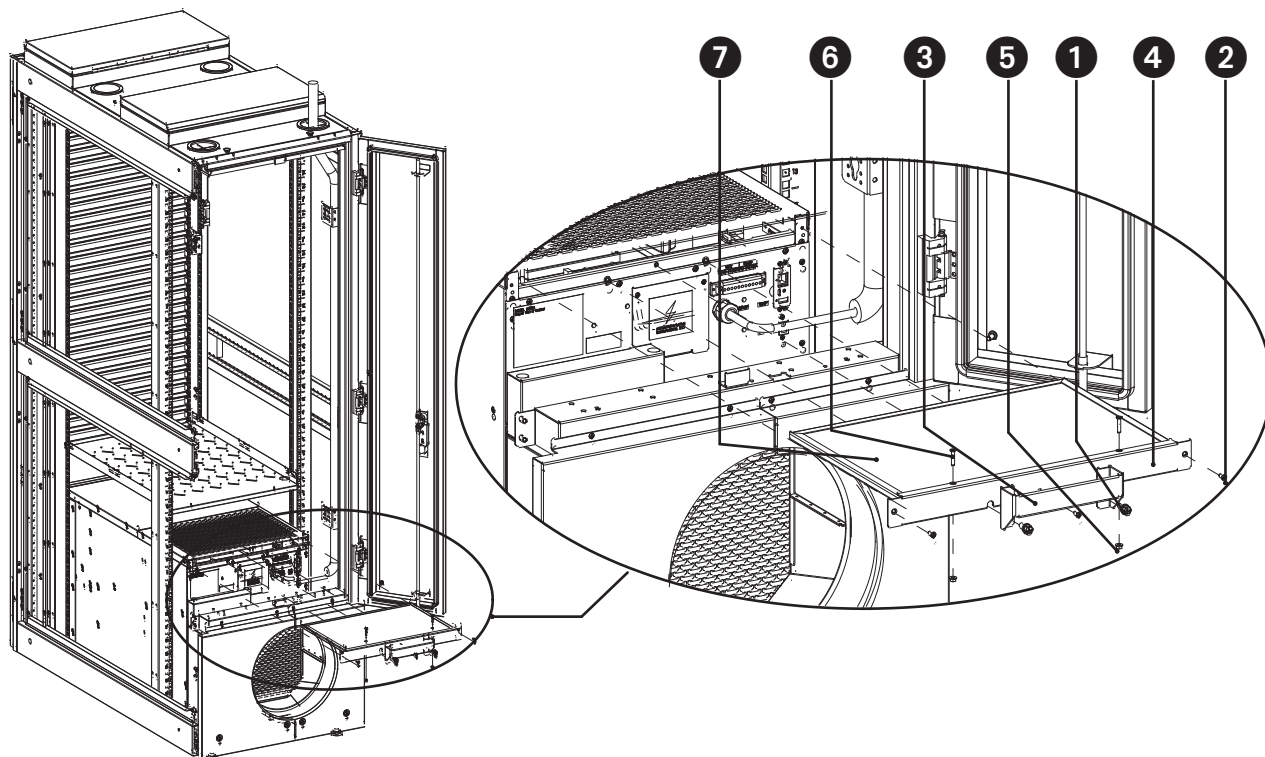


Figure 6-2 Remplacement du filtre de l'évaporateur

7 Dépannage

7.1 Problèmes et solutions possibles

Message d'erreur	Cause	Solutions possibles
Fuite de condensats	Les tuyaux d'évacuation des condensats ne sont pas correctement installés : condensation excessive	Ajuster la position du tuyau d'évacuation ou adopter l'évacuation par gravité

7.2 Alarmes et solutions

Alarmes	Cause	Solutions possibles
Alarme de basse température	Vérifier le réglage de la plage de l'alarme de basse température	Ajuster le paramètre pour qu'il corresponde à l'environnement de fonctionnement
Alarme de haute pression	Le condenseur ou l'évaporateur est bloqué ou le réfrigérant est insuffisant	Vérifier s'il y a un problème avec les deux dispositifs ou si le réfrigérant est remplacé
Alarme de faible humidité	L'humidité de l'air de retour est inférieure au seuil d'alarme d'humidité basse réglé	Ajuster le paramètre pour qu'il corresponde à l'environnement de fonctionnement

8 Garantie

Pour plus de détails sur la garantie, cliquez sur le lien suivant : <https://tripplite.eaton.com/warranty/srcool5kwr42u>

Numéros d'identification à la conformité réglementaire

À des fins de certification de conformité réglementaire et d'identification, un numéro de série unique a été attribué au produit. Le numéro de série, ainsi que toutes les marques d'homologation et les renseignements requis, se trouvent sur la plaque signalétique du produit. Lorsque des renseignements sont demandés concernant la conformité de ce produit, toujours se reporter au numéro de série. Le numéro de série ne doit pas être confondu avec le nom de la marque ou le numéro de modèle du produit.

Renseignements sur la conformité à la directive DEEE pour les clients et les recycleurs (Union européenne)

 En vertu de la directive et des règlements d'application relatifs aux déchets d'équipements électriques et électroniques (DEEE), lorsque des clients achètent de l'équipement électrique et électronique neuf d'Eaton, ils ont droit :

- À l'envoi de l'ancien équipement au recyclage sur la base d'un pour un, à l'identique (cela varie selon les pays).
- Au renvoi du nouvel équipement pour recyclage lorsqu'il devient un déchet.

Eaton mène une politique d'amélioration continue. Les caractéristiques techniques sont modifiables sans préavis.

EATON

Powering Business Worldwide

Eaton
1000 Eaton Boulevard
Cleveland, OH 44122
United States
Eaton.com

© 2024 Eaton
Tous droits réservés
Publication n° 24-10-038 / 93474E_RevC
Octobre 2024

Eaton est une marque déposée.

Toutes les marques déposées sont la propriété de leurs détenteurs respectifs.